



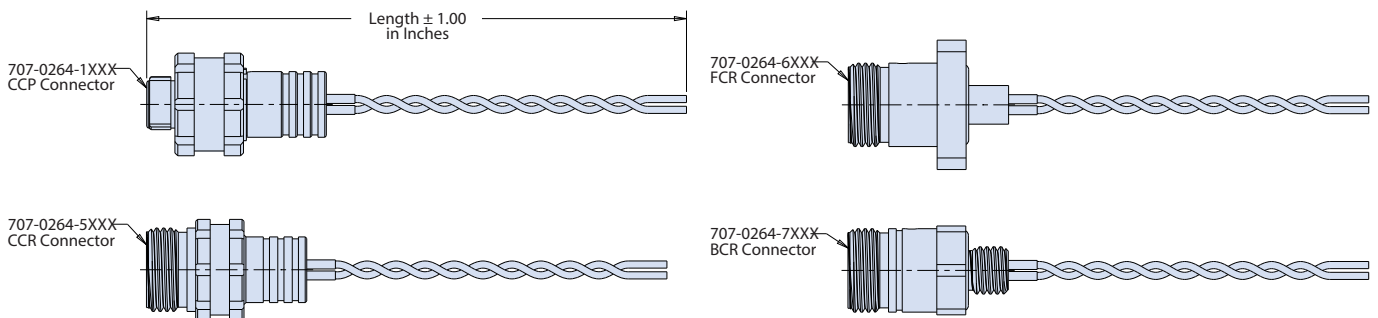
# 10K PSI SOLUTION Micro-PSI High-Speed, High Pressure ILI Connector



Flying-lead pigtail assemblies/protective covers

## 7071-0572 MICRO-PSI FLYING-LEAD PIGTAIL ASSEMBLY

Micro-PSI - How To Order	
Sample Part Number	7071-0572 7 -ME4 -Z1 S N -16
Series / Basic P/N	7071-0572 = Flying-Lead Pigtail Cable Assembly
Connector Style	1 = CCP 5 = CCR 6 = FCR 7 = BCR
Shell Size / Contact Layout	ME1, ME4, ME6, MG10, MK19 (See Insert Arrangements diagram pg. 57)
Plug Shell Material	Z1 = Stainless Steel
Contact and Termination Style	S = Socket Contacts (for receptacles) P = Pin Contacts (for plug)
Clocking Position	N = Normal
Flying Lead Length (inches)	Length in inches (tolerance $\pm 1.00$ inches. Minimum 4 inches.)



- Plugs rated 10K PSI mated condition
- Receptacles rated 10K PSI open-face and mated
- 100% electrical test for shorts, DWV at 750 VAC and insulation resistance IAW MIL-STD-202

## 709-100 MICRO-PSI PRESSURE-RATED PROTECTIVE COVERS: 709-101 PLUG / 709-100 RECEPTACLE

- 10K PSI rated, mated condition
- Red alignment indicator on receptacle cover for accurate mating, full-mate indicator on plug cover
- Serviceable O-ring on receptacle cover for reliable sealing and easy maintenance

