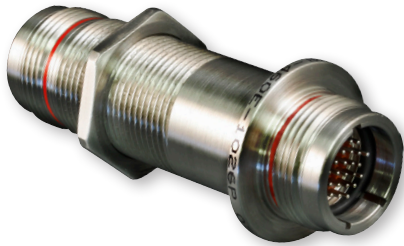




SERIES 802 2400M / 3500 PSI Ultraminiature Subsea Connectors



802-050 submersible hermetic receptacle Jam nut, bulkhead feed-thru



Series 802 Hermetic Jam Nut Mount Bulkhead Feed-Thru Receptacles feature gold plated iron alloy contacts and compression glass dielectric material. The 316 series stainless steel connector shell provides excellent corrosion protection. Available with pin to pin contacts. Power applied to a given contact on one end will result in power to contact directly opposite, regardless of contact identification letter. Contact DWV ratings are as follows and measured pin to pin and pin to shell without breakdown: size #23 @ 750 VAC, size #20 @ 1000 VAC, size #16 and #12 @ 1800 VAC. Insulation resistance is rated at 20,000 megohms (test) @ 500 VDC minimum. Hermeticity is rated at: 5×10^{-8} sccHe/sec @ 1 atmosphere differential. 802-050 is designed to mate with Glenair 802 Series plugs

| How To Order | |
|---|--|
| Sample Part Number | 802-050 Z1 12-37 P P A 01 N |
| Series | 802-050 = Bulkhead Feed-Thru Hermetic Receptacle |
| Shell Material and Finish | Z1 = 316 Stainless Steel / Passivated RoHS Compliant |
| Shell Size - Contact Arrangement | See Table III; see pages 4 - 6 |
| Contact Type Jam Nut Side | P = Pin |
| Contact Type Opposite Side | P = Pin |
| Keyway Position (See Table I) | A = Normal B = Pos. B C = Pos. C D = Pos. D E = Pos. E F = Pos. F |
| Panel Thickness (See Table II) | -01 = .500/1.000 -02 = 1.000/1.500 -03 = 1.500/2.000 -04 = 2.000/2.500 -05 = 2.500/3.000 -06 = 3.000/3.500 -07 = 3.500/4.000 |
| O-ring Material | V = Viton N = Nitrile NA = No external o-rings supplied (suggested material: Nitrile) |

Table I: Key Positions

| Key Position | Key Rotation | |
|--------------|--------------|------|
| | A° | B° |
| A Normal | 150° | 210° |
| B | 75° | 210° |
| C | 95° | 230° |
| D | 140° | 275° |
| E | 75° | 275° |
| F | 95° | 210° |

Table II: Panel Thickness

| Panel Thickness Code | H Panel Thickness | J Maximum Length |
|----------------------|-------------------|------------------|
| -01 | .500/1.000 | 2.450 |
| -02 | 1.000/1.500 | 2.950 |
| -03 | 1.500/2.000 | 3.450 |
| -04 | 2.000/2.500 | 3.950 |
| -05 | 2.500/3.000 | 4.450 |
| -06 | 3.000/3.500 | 4.950 |
| -07 | 3.500/4.000 | 5.450 |

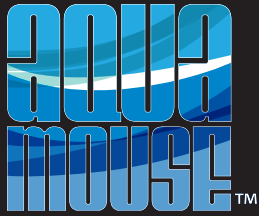
Table III: Contact Arrangements Available

| Shell Size | Contact Arrangement(s) |
|------------|-----------------------------------|
| 5 | -3 |
| 6 | -1, -4, -6, -7, -23 |
| 7 | -1, -10, -25 |
| 8 | -1, -2, -13, -28, -200 |
| 9 | -4, -19, -200, -201, -210 |
| 10 | -2, -5, -26, -200, -201, -202 |
| 12 | -2, -3, -7, -37, -200, -201, -220 |
| 14 | -5, -12, -55, -235 |
| 15 | -3, -7, -14, -85, -241 |
| 21 | -12, -22, -130, -269 |

See pages 4 - 6 for

SUBSEA SHALLOW WATER: AQUAMOUSE™



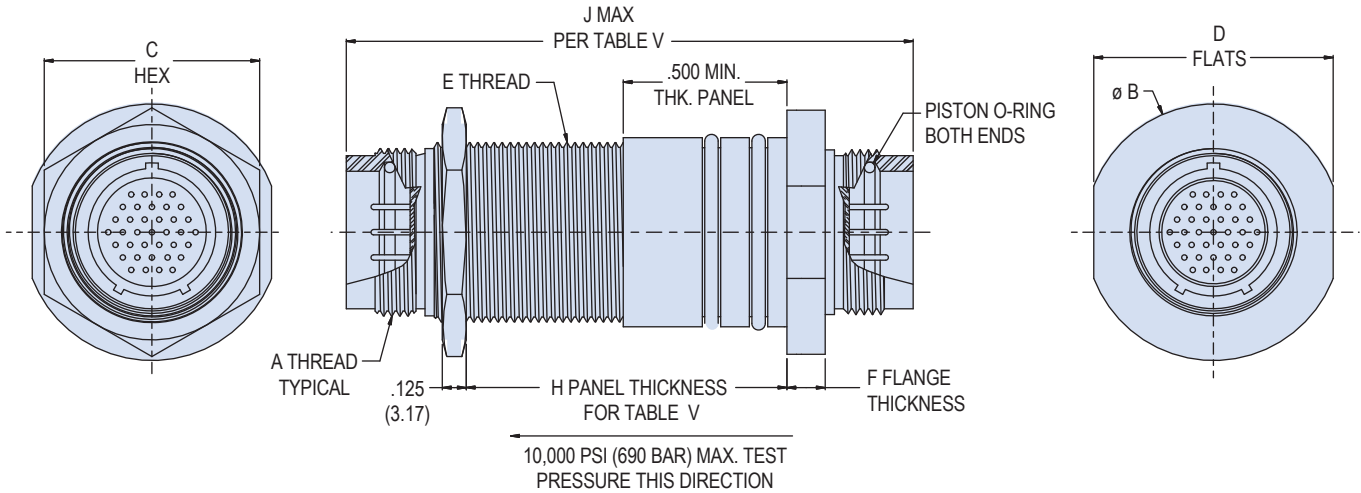


SERIES 802 2400M / 3500 PSI
Ultraminiature Subsea Connectors



802-050 submersible hermetic receptacle
Jam nut, bulkhead feed-thru

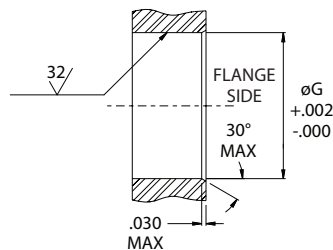
JAM NUT MOUNT, SOLDER CUP OR PC TAIL BULKHEAD FEED-THRU



SUBSEA/SHALLOW WATER: AQUAMOUSE™

Dimensions

| Shell Size | A Thread | Ø B Max | C Hex | D Flat | E Thread | Panel Cutout Ø G | Ext. O-Ring | F |
|------------|---------------|---------------|---------------|--------------------------------|-----------------|------------------|-------------|-------------|
| 5 | .4375-28 UNEF | 0.950 (24.13) | 0.688 (17.48) | 0.880 (22.35) 0.870 (22.10) | .5000-32 UN-2A | .562 (14.27) | 2-013 | .260 (6.60) |
| 6 | .5625-20 UN | 1.150 (29.21) | 0.812 (20.62) | 1.010 (25.65) 1.000 (25.40) | .6250-20 UN-2A | .687 (17.45) | 2-015 | .260 (6.60) |
| 7 | .6250-20 UN | 1.225 (31.12) | 0.875 (22.23) | 1.080 (27.43) 1.070 (27.18) | .6875-28 UN-2A | .750 (19.05) | 2-016 | .260 (6.60) |
| 8 | .6875-20 UN | 1.275 (32.39) | 0.938 (23.83) | 1.140 (28.96) 1.130 (28.70) | .7500-28 UN-2A | .812 (20.62) | 2-017 | .260 (6.60) |
| 9 | .7500-20 UNEF | 1.325 (33.65) | 1.000 (25.40) | 1.205 (30.61) 1.195 (30.35) | .8125-28 UN-2A | .875 (22.23) | 2-018 | .260 (6.60) |
| 10 | .8125-20 UNEF | 1.380 (35.05) | 1.000 (25.40) | 1.270 (32.26) 1.260 (32.00) | .8750-28 UN-2A | .937 (23.80) | 2-019 | .260 (6.60) |
| 12 | .8750-20 UNEF | 1.462 (37.13) | 1.125 (28.58) | 1.330 (33.78) 1.320 (33.53) | .9375-28 UN-2A | 1.000 (25.40) | 2-020 | .260 (6.60) |
| 14 | 1.0625-20 UN | 1.650 (41.91) | 1.312 (33.32) | 1.520 (38.61) 1.510 (38.35) | 1.1250-28 UN-2A | 1.187 (30.15) | 2-023 | .325 (8.25) |
| 15 | 1.1250-20 UN | 1.700 (43.18) | 1.375 (34.92) | 1.580 (40.13) 1.570 (39.88) | 1.1875-28 UN-2A | 1.250 (31.75) | 2-024 | .325 (8.25) |
| 21 | 1.4375-20 UN | 2.165 (54.99) | 1.700 (43.18) | 2.015 (51.18) 2.005 (50.93) | 1.5000-28 UN-2A | 1.625 (41.28) | 2-029 | .325 (8.25) |



**RECOMMENDED
 PANEL CUTOUT FOR
 DOUBLE O-RING
 ONLY**