



SERIES 22 5000M / 5000 PSI Shallow Water Application



220-00 and 220-10

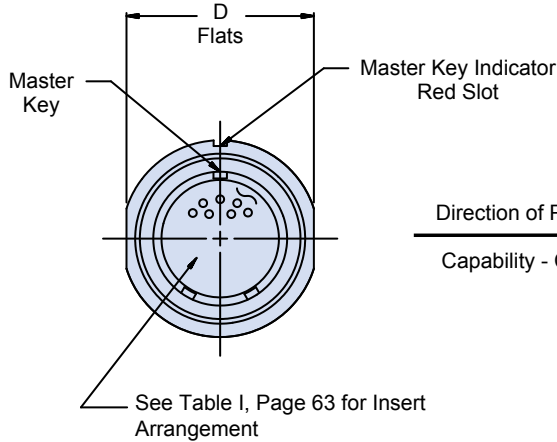
Jam nut bulkhead receptacle, front panel mount

ENVIRONMENTAL-5000 PSI MATED OR HERMETIC-5000 PSI OPEN FACE RECETPACLE

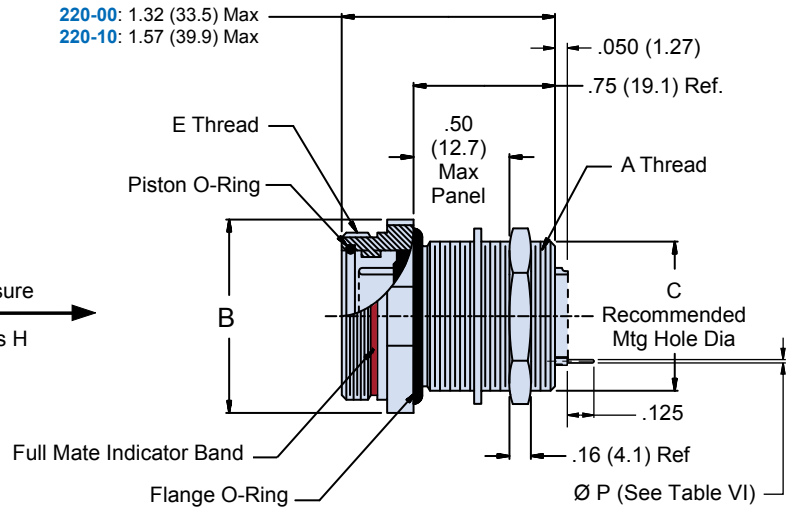


How To Order					
Sample Part Number	220-00	E	24-61	P	N
Series and Shell Style	220-00 = Standard 220-10 = Scoop Proof				
Class	E = Environmental H = Hermetic				
Shell Size - Contact Arrangement	See pages 65-66				
Contact Style	P = Pins S = Sockets		C = Pin PC Tail D = Socket PC Tail		
Polarization	N, 1, 2, 3, 4 See page 65				

Prior to use, lubricate O-rings with high grade silicone lubricant (Moly-kote M55 or equivalent).



Direction of Pressure
Capability - Class H



Dimensions					
Shell Size	A Thread Class 2A	Ø B Max	C ±.005 ±(0.1)	D Flats	E Thread Class 2A
10	5/8 - 24 UNEF	1.03 (25.4)	.635 (16.1)	.875 (22.2)	.750 - .1P - .1L
12	3/4 - 20 UNEF	1.16 (28.6)	.760 (19.3)	1.000 (25.4)	.875 - .1P - .1L
14	7/8 - 20 UNEF	1.28 (31.8)	.885 (22.5)	1.125 (28.6)	1.000 - .1P - .1L
16	1 - 20 UNEF	1.41 (34.9)	1.010 (25.7)	1.250 (31.8)	1.125 - .1P - .1L
18	1 1/8 - 16 UN	1.66 (40.5)	1.135 (28.8)	1.500 (38.1)	1.250 - .1P - .1L
20	1 1/4 - 16 UN	1.78 (43.7)	1.260 (32.0)	1.625 (41.3)	1.375 - .1P - .1L
22	1 3/8 - 16 UN	1.91 (48.1)	1.385 (35.2)	1.750 (44.5)	1.500 - .1P - .1L
24	1 1/2 - 16 UN	2.03 (50.0)	1.510 (38.4)	1.875 (47.6)	1.625 - .1P - .1L

PC Tail Diameter		
Contact Size	Ø P	
	Max	Min
22D	.021	.018
20	.024	.028
16	.0635	.0615
12	.095	.093

Replacement O-Ring Part Numbers*

Shell Size	Piston O-Ring	Flange O-Ring	Shell Size	Piston O-Ring	Flange O-Ring	Shell Size	Piston O-Ring	Flange O-Ring
10	2-014	2-017	16	2-020	2-023	22	2-026	2-029
12	2-016	2-019	18	2-022	2-025	24	2-028	2-030
14	2-018	2-021	20	2-024	2-027			

*Parker O-Ring Part Numbers.
Compound N674-70 Or Equivalent

SUBSEA/SHALLOW WATER: GEO-MARINE®

