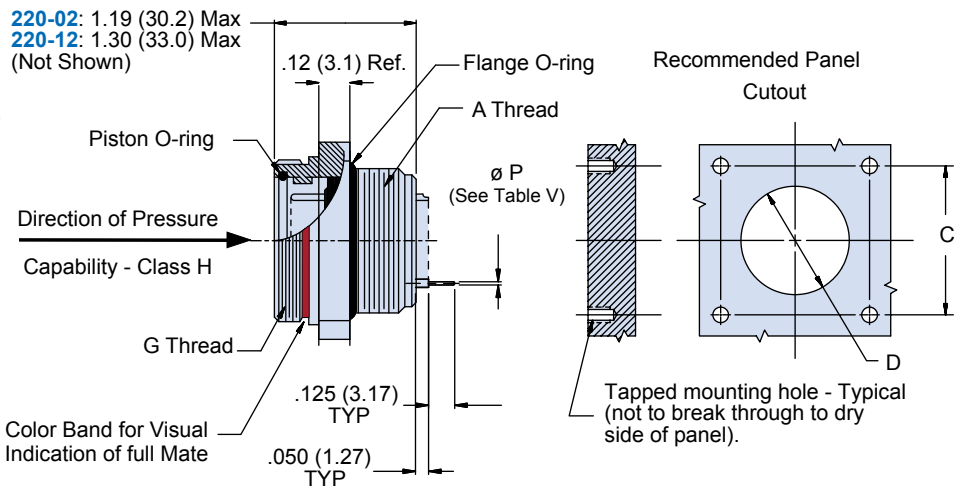
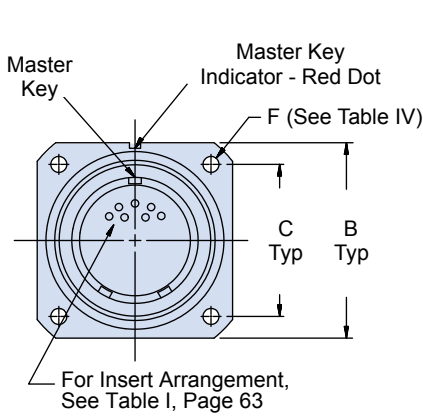




**ENVIRONMENTAL-5000 PSI MATED OR HERMETIC-5000 PSI OPEN FACE RECETPACLE**

How To Order					
<b>Sample Part Number</b>	<b>220-02E</b>	<b>H</b>	<b>24-61</b>	<b>P</b>	<b>N</b>
<b>Series and Shell Style</b>	<b>220-02 = Standard</b> <b>220-12 = Scoop Proof</b>				
<b>Class</b>	<b>E = Environmental</b>		<b>H = Hermetic</b>		
<b>Shell Size - Contact Arrangement</b>	See pages 65-66				
<b>Contact Style</b>	<b>P = Pin, Solder Cup</b>		<b>C = Pin, PC Tail</b>		
	<b>S = Socket, Solder Cup</b>		<b>D = Socket, PC Tail</b>		
<b>Polarization</b>	<b>N, 1, 2, 3, 4</b> See page 65				

Prior to use, lubricate O-rings with high grade silicone lubricant (Moly-kote M55 or equivalent).



Dimensions					
Shell Size	A Thread Class 2A	B Dim	C Dim	D Dia +.015 +(0.4) -.000 -(0.0)	G Thread Class 2A
10	5/8 - 24 UNEF	1.188 (30.2)	.938 (23.8)	.844 (21.4)	.750 - .1P - .1L
12	3/4 - 20 UNEF	1.312 (33.3)	1.062 (27.0)	.969 (24.6)	.875 - .1P - .1L
14	7/8 - 20 UNEF	1.438 (36.5)	1.188 (30.2)	1.078 (27.4)	1.000 - .1P - .1L
16	1 - 20 UNEF	1.562 (39.7)	1.250 (31.8)	1.219 (31.0)	1.125 - .1P - .1L
18	1 1/8 - 16 UN	1.750 (44.5)	1.375 (34.9)	1.359 (34.5)	1.250 - .1P - .1L
20	1 1/4 - 16 UN	1.875 (47.6)	1.500 (38.1)	1.515 (38.5)	1.375 - .1P - .1L
22	1 3/8 - 16 UN	2.000 (50.8)	1.625 (41.3)	1.640 (41.7)	1.500 - .1P - .1L
24	1 1/2 - 6 UN	2.125 (54.0)	1.750 (44.5)	1.765 (44.8)	1.625 - .1P - .1L

PC Tail Diameter	
Contact Size	Ø P
22D	.021 (0.53) .018 (0.46)
20	.024 (0.61) .028 (0.71)
16	.0635 (1.61) .0615 (1.56)
12	.095 (2.41) .093 (2.36)

Mounting/Hardware Dim.		
Shell Size	F Dia	Mtg Screw Ref.
10	.125 (3.2)	No. 4
12	.125 (3.2)	No. 4
14	.125 (3.2)	No. 4
16	.125 (3.2)	No. 4
18	.125 (3.2)	No. 4
20	.125 (3.2)	No. 4
22	.125 (3.2)	No. 4
24	.156 (4.0)	No. 6

**Replacement O-Ring Part Numbers\***

Shell Size	Piston O-Ring	Flange O-Ring	Shell Size	Piston O-Ring	Flange O-Ring	Shell Size	Piston O-Ring	Flange O-Ring
10	2-014	2-021	16	2-020	2-027	22	2-026	2-031
12	2-016	2-023	18	2-022	2-029	24	2-028	2-032
14	2-018	2-025	20	2-024	2-030			

\*Parker O-ring part numbers Compound N674-70 or equivalent.