



SERIES 22 5000M / 5000 PSI Shallow Water Application



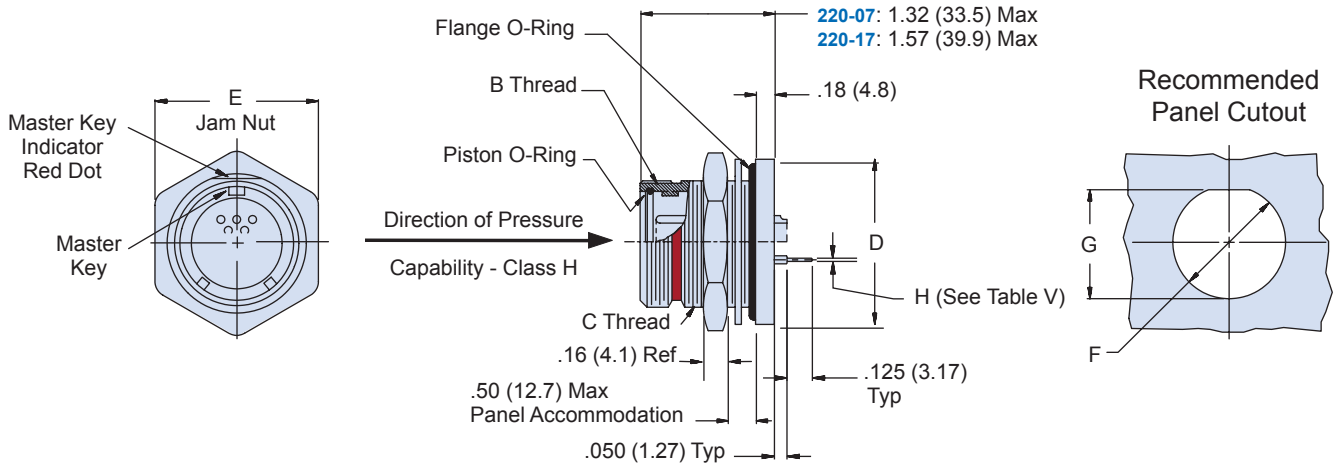
220-07 and 220-17 Jam nut receptacle, rear box mount

ENVIRONMENTAL-5000 PSI MATED OR HERMETIC-5000 PSI OPEN FACE RECETPACLE



How To Order					
Sample Part Number	220-07	H	24-61	P	N
Series and Shell Style	220-07 - Standard 220-17 - Scoop-Proof				
Class	H = Hermetic E = Environmental				
Shell Size-Contact Arrangement	See pages 65-66				
Contact Style	P = Pin, Solder Cup S = Socket, Solder Cup		C = Pin, PC Tail D = Socket, PC Tail		
Polarization	N, 1, 2, 3, 4 See page 65				

Prior to use, lubricate O-rings with high grade silicone lubricant (Moly-kote M55 or equivalent).



Dimensions						
Shell Size	B Thread Class 2A	C Thread Class 2A	D Dia	E Flats	F Dia ±.005± (0.1)	G ±.005± (0.1)
10	.750 - .1P - .1L	7/8 - 20 UNEF	1.25 (31.8)	1.125 (28.6)	.885 (22.5)	.835 (21.2)
12	.875 - .1P - .1L	1 - 20 UNEF	1.38 (35.1)	1.250 (31.8)	1.010 (25.7)	.960 (24.4)
14	1.000 - .1P - .1L	1 1/8 - 16 UN	1.50 (38.1)	1.500 (38.1)	1.135 (28.8)	1.085 (27.6)
16	1.125 - .1P - .1L	1 1/4 - 16 UN	1.63 (41.4)	1.625 (41.3)	1.260 (32.0)	1.210 (30.7)
18	1.250 - .1P - .1L	1 3/8 - 16 UN	1.75 (44.5)	1.750 (44.5)	1.385 (35.2)	1.335 (33.9)
20	1.375 - .1P - .1L	1 1/2 - 16 UN	1.88 (47.8)	1.875 (47.6)	1.510 (38.4)	1.460 (37.1)
22	1.500 - .1P - .1L	1 5/8 - 16 UN	2.00 (50.8)	2.000 (50.8)	1.635 (41.5)	1.585 (40.3)
24	1.625 - .1P - .1L	1 3/4 - 16 UN	2.12 (53.8)	2.125 (54.0)	1.760 (44.7)	1.710 (43.4)

PC Tail Diameter	
Contact Size	Ø P
22D	.021 (0.53) .018 (0.46)
20	.024 (0.61) .028 (0.71)
16	.0635 (1.61) .0615 (1.56)
12	.095 (2.41) .093 (2.36)

Replacement O-Ring Part Numbers *

Shell Size	Piston O-Ring	Flange O-Ring	Shell Size	Piston O-Ring	Flange O-Ring	Shell Size	Piston O-Ring	Flange O-Ring
10	2-014	2-020	16	2-020	2-027	22	2-026	2-031
12	2-016	2-023	18	2-022	2-029	24	2-028	2-032
14	2-018	2-025	20	2-024	2-030			

* Parker O-ring part numbers.
Compound N674-70 or equivalent.

