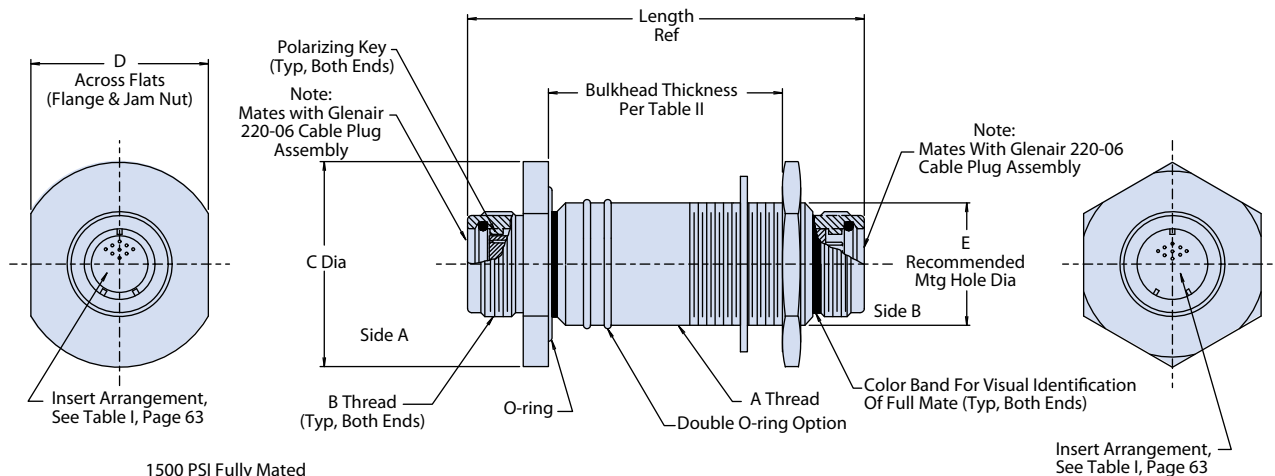


**ENVIRONMENTAL-1500 PSI MATED OR HERMETIC UP TO -5000 PSI OPEN FACE RECETPACLE**

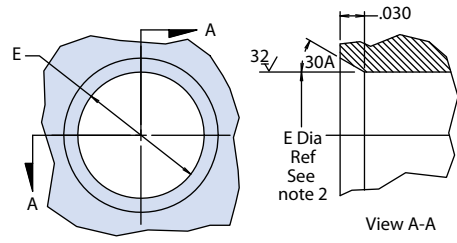


How To Order	
<b>Sample Part Number</b>	<b>227-040</b> -24-61 S N P N 03 D
<b>Series and Shell Style</b>	<b>227-039</b> - Standard shell (mates with 220-06 plug) <b>227-040</b> - Scoop-Proof shell (mates with 220-016)
<b>Shell Size - Contact Arrangement</b>	See pages 65-66
<b>Side A Contact Style</b>	P = Pins S = Sockets H = Hermetic Pin
<b>Side A Polarization</b>	N, 1, 2, 3, 4 See page B-63
<b>Side B Contact Style</b>	P = Pin S = Socket H = Hermetic Pin
<b>Side B Polarization</b>	N, 1, 2, 3, 4 See page 65
<b>Bulkhead Thickness Dash No.</b>	See Table III
<b>Double O-Ring Option</b>	D (Omit for None)



1500 PSI Fully Mated To Counterpart Connector  
Hydrostatic Pressure Capability

1000 To 5000 PSI Open Face Hermetic (Sym H) Only  
Hydrostatic Pressure Capability



**SUBSEA/SHALLOW WATER: GEO-MARINE®**





# SERIES 22 5000M / 5000 PSI Shallow Water Application



## 227-039 and 227-040 Receptacle Jam Nut, Bulkhead Feed-through

Dimensions					
Shell Size	A Thread Class 2A	B Thread Class 2A	C Dia	D Flat	E Dia *
10	7/8-20 UNEF	.750-.1P-.1L	1.41 (35.8)	1.250 (31.8)	.875 (22.2)
12	1-20 UNEF	.875-.1P-.1L	1.53 (38.9)	1.375 (34.9)	1.000 (25.4)
14	1 1/8-18 UNEF	1.000-.1P-.1L	1.66 (42.2)	1.500 (38.1)	1.125 (28.6)
16	1 1/4-16 UN	1.125-.1P-.1L	1.78 (45.2)	1.625 (41.3)	1.250 (31.8)
18	1 3/8-16 UN	1.250-.1P-.1L	1.91 (48.5)	1.750 (44.5)	1.375 (34.9)
20	1 1/2-16 UN	1.375-.1P-.1L	2.03 (51.6)	1.875 (47.6)	1.500 (38.1)
22	1 5/8-16 UN	1.500-.1P-.1L	2.16 (54.9)	2.000 (50.8)	1.625 (41.3)
24	1 3/4-16 UN	1.625-.1P-.1L	2.28 (57.9)	2.125 (54.0)	1.750 (44.5)

\* Standard Shell +.010 (.254) -.000 (.0)      \* Double "O" Ring Option +.002 (.05) -.000 (.0)

Bulkhead Thickness				
Dash No.	Panel Min	Panel Max	Length (Ref.)	
			Standard Shell Length	Scoop-Proof Shell Length
01	.03 (.8)	1.00 (25.4)	2.30 (58.4)	3.00 (76.2)
02	1.00 (25.4)	2.00 (50.8)	3.30 (83.8)	4.00 (101.6)
03	2.00 (50.8)	3.00 (76.2)	4.30 (109.2)	5.00 (127.0)
04	3.00 (76.2)	4.00 (101.6)	5.30 (134.6)	6.00 (152.4)
05	4.00 (101.6)	5.00 (127.0)	6.30 (160.0)	7.00 (177.8)
06	5.00 (127.0)	6.00 (152.4)	7.30 (185.4)	8.00 (203.2)
07	6.00 (152.4)	7.00 (177.8)	8.30 (210.8)	9.00 (228.6)
08	7.00 (177.8)	8.00 (203.2)	9.30 (236.2)	10.00 (254.0)

### NOTES

1. Power to a given contact on one end will result in power to contact directly opposite, regardless of identification letter.
2. For standard o-ring option,  $\sqrt[3]{}$  does not apply and E dia s/b  $^{+.010}_{-.000}$
3. For pin/pin and skt/skt, symmetrical layouts only, consult factory for available Contact Arrangements.
4. Performance capabilities

#### Current Rating:

Size 12 contact	17 amps at 750 VDC
Size 16 contact	10 amps at 750 VDC
Size 20 contact	5 amps at 500 VDC
Size 22 contact	3 amps at 500 VDC

#### Insulation Resistance:

1000 MegOhms min, at 500 VDC, Between contacts and contacts to shell

#### Hermeticity:

Less than  $10^{-6}$  cc/sec leakage at 1 atmosphere

SUBSEA/SHALLOW WATER: GEO-MARINE®

