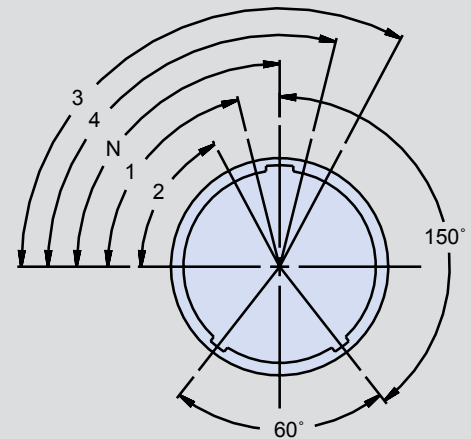


**STANDARD AND CUSTOM CONTACT ARRANGEMENTS AND KEYWAY POSITIONS (POLARIZATION)**

Contact Arrangements					
Shell Size	Series 22 Pattern	Contact Size/Quantity			
		22	20	16	12
10	10-2			2	
	10-4			4	
	10-6		6		
	10-13	13			
12	12-8			8	
	12-10		10		
	12-22	22			
14	14-4				4
	14-12			14	
	14-19		19		
	14-37	37			
16	16-6				6
	16-19			19	
	16-26		26		
	16-55	55			
18	18-8		8		
	18-11			11	
	18-22			22	
	18-32		32		
	18-66	66			
20	20-11				11
	20-30			30	
	20-38		30	8	
	20-41		41		
	20-79	79			
22	22-19				19
	22-38			38	
	22-50	48			2
	22-55		55		
	22-85	85			
24	24-24			12	12
	24-48			48	
	24-61		61		
	24-100	100			
	24-128	128			



**FACE VIEW  
RECEPTACLE**

Alternate Keyway Positions					
Shell Size Desig.	N°	1°	2°	3°	4°
10	90	76	62	118	104
12	90	70	58	122	110
14	90	69	56	124	111
16	90	72	60	120	108
18	90	72	62	120	108
20	90	72	60	120	108
22	90	75	64	116	105
24	90	75	64	116	105

Recommended Jam Nut Installation Torque Values		
Shell Size	Torque ± 5%	
	Inch - Lbs.	Newton - Meters
10	95	10.73
12	110	12.43
14	140	15.82
16	170	19.21
18	195	22.03
20	215	24.29
22	235	26.55
24	260	29.38

**Custom Contact Contact Arrangements**

Series 22 inserts may be tooled for alternative contact Contact Arrangements including variably sized electrical contacts—from size 12 to 22—as well as hybrid arrangements incorporating fiber optic, Coax and other contact types. Glenair has produced hundreds of custom arrangements beyond those shown in this catalog. Please contact your local Glenair representative, or the factory, for assistance.

