



SERIES 147

15 Ft. Submersion Composite Boxes



140-060XMS-01 (NSN: 5975-01-556-7957)

10 terminal, grounded composite junction box

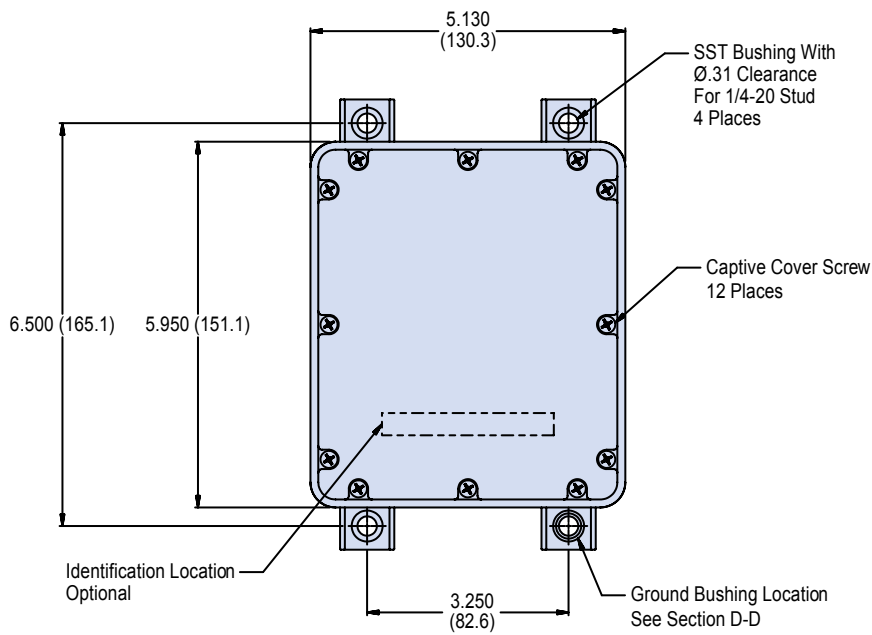
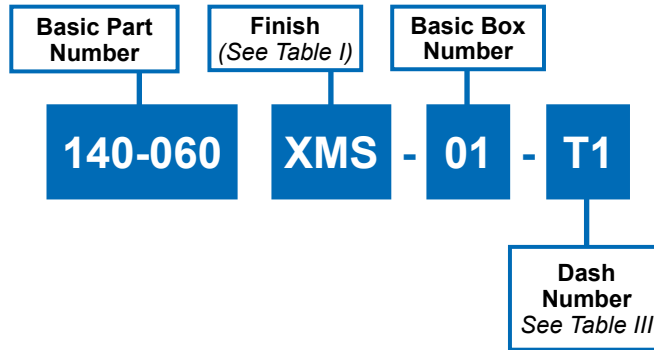
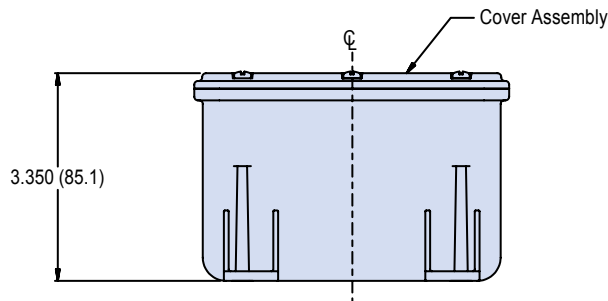


FIGURE 1 TOP VIEW



TOPSIDE: COMPOSITE BOXES





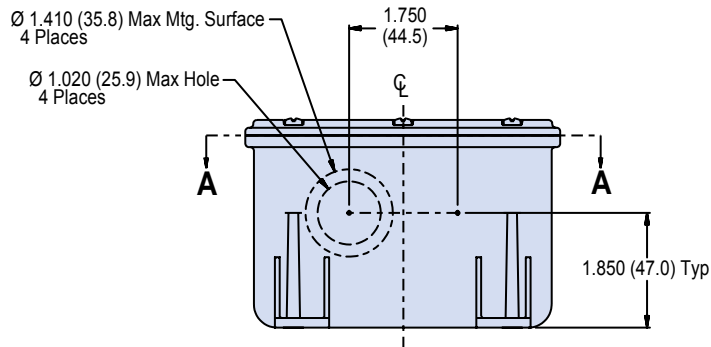
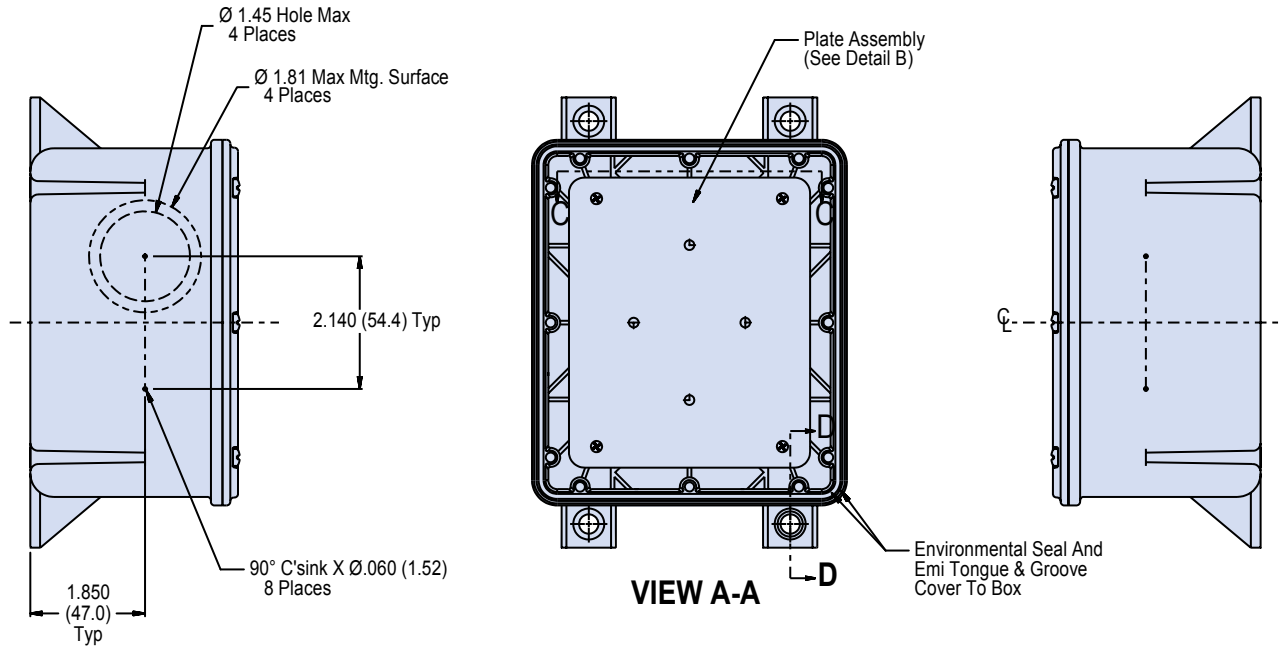
SERIES 147

15 Ft. Submersion Composite Boxes



140-060XMS-01 (NSN: 5975-01-556-7957)

10 terminal, grounded composite junction box



TOPSIDE: COMPOSITE BOXES





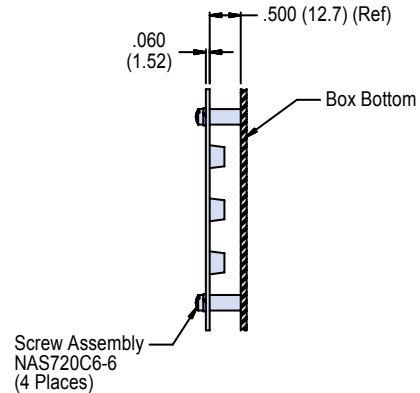
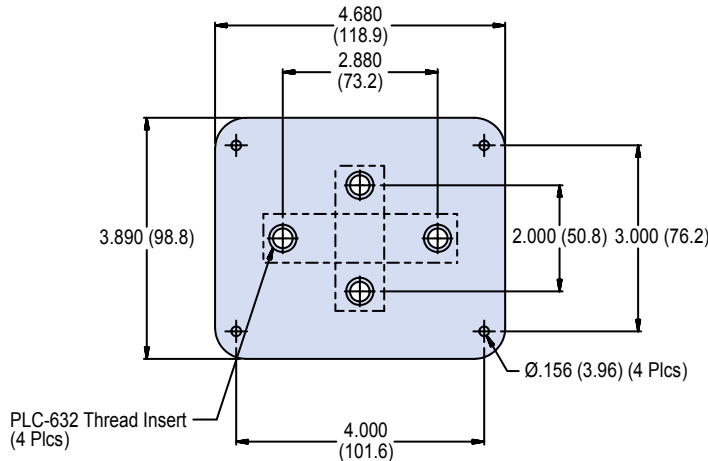
SERIES 147

15 Ft. Submersion Composite Boxes



140-060XMS-01 (NSN: 5975-01-556-7957)

10 terminal, grounded composite junction box



APPLICATION NOTES

1. Assembly identified with manufacturer's code identification number (Glenair, part number and date code).
2. Color may be subject to fading, however UV exposure will not affect material physical properties.
3. Assembly is similar to symbol part numbers and require installation in accordance with NAVSEA drawing 803-6983506.
4. Material / Finish:
 - Box, cover: Thermoplastic grey color/see Table I.
 - Hardware: 316 SST/passivate.
 - Seals and gaskets: Silicone/N.A.
 - Mounting Plate - 300 series SST/passivate.
5. Metric dimensions (mm) are indicated in parentheses.

TOPSIDE: COMPOSITE BOXES





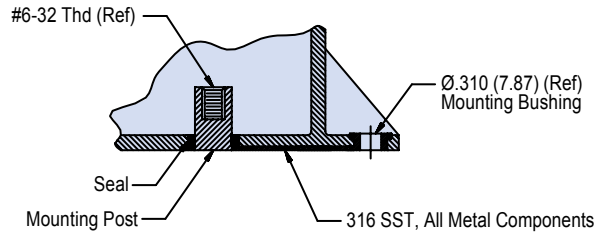
SERIES 147

15 Ft. Submersion Composite Boxes



140-060XMS-01 (NSN: 5975-01-556-7957)

10 terminal, grounded composite junction box



SECTION D-D

Electrical Ground Through Internal Mounting Post To External Mounting Bushing

TABLE I: Finish	
Symbol	Description
XMS	Internal Surfaces - Electroless Nickel Exterior Surfaces - Unplated Light Grey Color
XO	No Plating

TABLE II: Replacement Parts			
Item	Part Number	Description	Material
1	140-065XMS-01	Cover Assembly	Grey Thermoplastic
2	687-499-2	Cover Screw Assembly	316 SST/Passivate
3	687-305Z129	Mounting Plate Assembly	300 SST/Passivate

TABLE III: Mounting Plate Assembly											
Dash No.	2.000" Mntg Holes	2.880" Mntg Holes	MIL-T-55164 A-A-59125	Number of Terminals	Max No of Wires	Recm'd Max Wire Size	Recm'd Lug MS17143	Qty Blocks per Assembly	Symbol Number	Military Specification	
01T1	6TB06	-	/12	6	24	#14 AWG	-5	1	-	-	
01T2	25TB05	-	/23	5	10	#14 AWG	-17	1	-	-	
01T3	-	4TB085	/10	8	32	#12 AWG	-3	1	435.1	MIL-T-24588/2	
01T4	-	6TB10	/12	10	30	#14 AWG	-5	1	528	MIL-T-24588/3	
01T5	-	15TB10	/19	10	40	#14 AWG	-8	1	-	-	
01T6	-	16TB04	/20	4	08	#12 AWG	-3	1	444	MIL-T-24588/18	

TOPSIDE: COMPOSITE BOXES

