



SERIES 147

# 15 Ft. Submersion Composite Boxes



140-060XMS-05 (NSN: 5975-01-556-7948)

4 terminal, grounded composite junction box

## HEXAGONAL 4.3 X 4.8 X 2.9 INCH COMPOSITE BOX

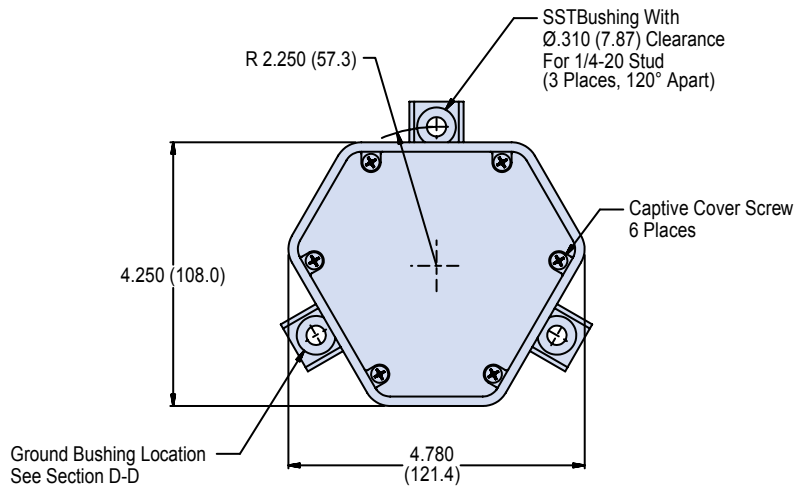
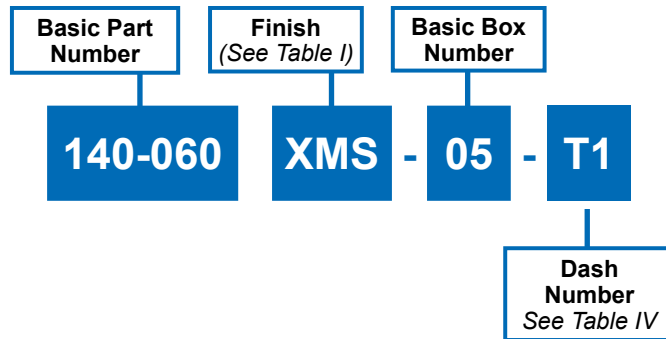
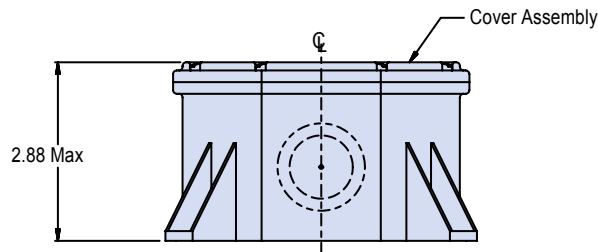


FIGURE 1 TOP VIEW



TOPSIDE: COMPOSITE BOXES





SERIES 147

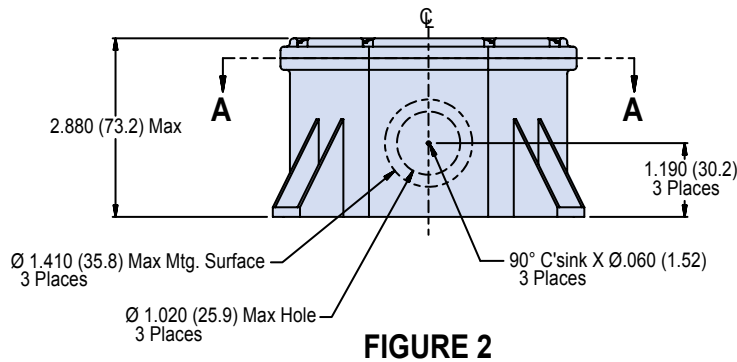
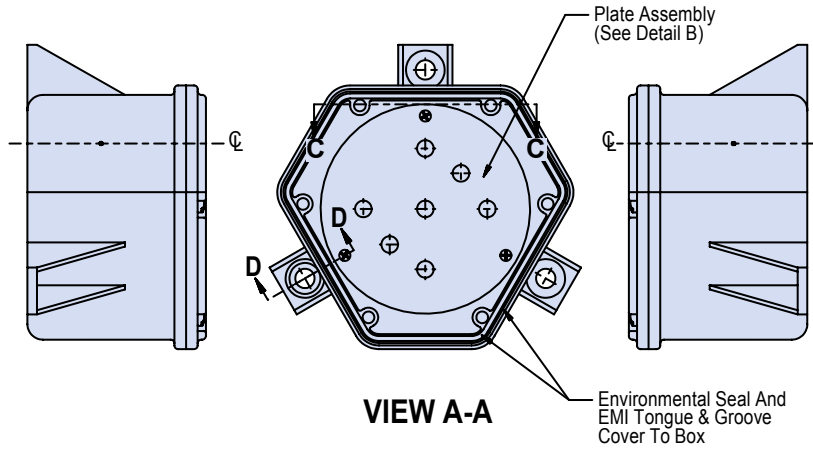
# 15 Ft. Submersion Composite Boxes



140-060XMS-05 (NSN: 5975-01-556-7948)

4 terminal, grounded composite junction box

## HEXAGONAL 4.3 X 4.8 X 2.9 INCH COMPOSITE BOX



TOPSIDE: COMPOSITE BOXES





SERIES 147

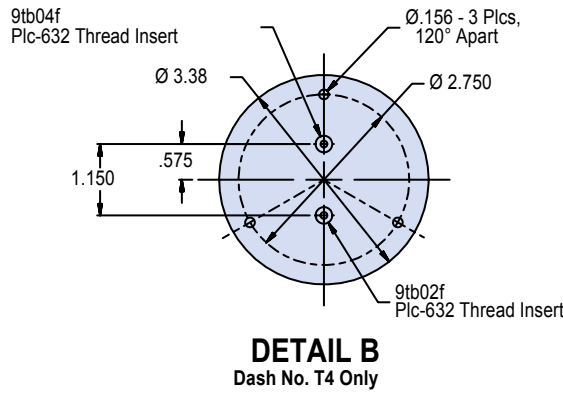
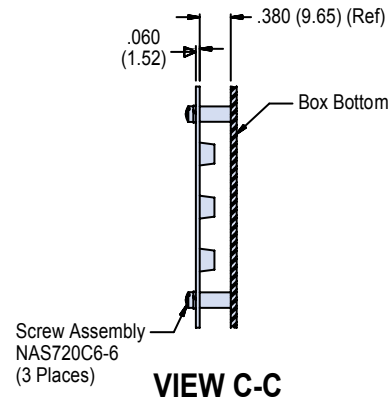
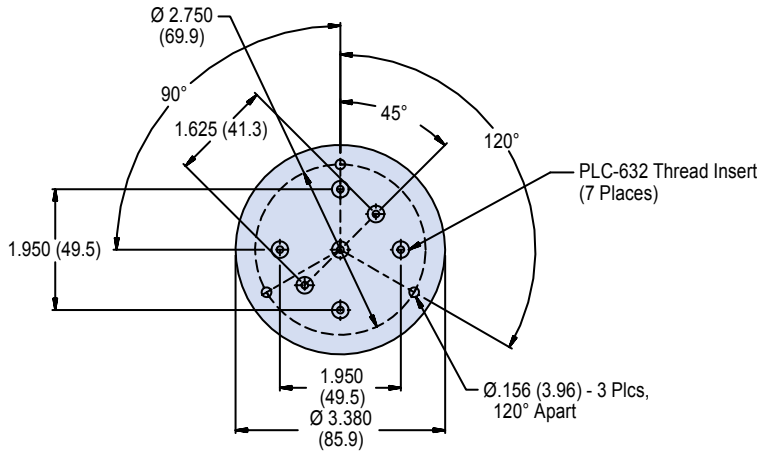
# 15 Ft. Submersion Composite Boxes



140-060XMS-05 (NSN: 5975-01-556-7948)

4 terminal, grounded composite junction box

## HEXAGONAL 4.3 X 4.8 X 2.9 INCH COMPOSITE BOX



### APPLICATION NOTES

1. Assembly identified with manufacturer's code identification number (Glenair, part number and date code).
2. Color may be subject to fading, however UV exposure will not affect material physical properties.
3. Assembly is similar to symbol part numbers and require installation in accordance with NAVSEA drawing 803-6983506.
4. Material / Finish:
  - Box, cover - Thermoplastic grey color/see Table I.
  - Hardware - 316 SST/passivate.
  - Seals and gaskets - Silicone/N.A.
  - Mounting Plate - 300 series SST/passivate.
5. Metric dimensions (mm) are indicated in parentheses.

TOPSIDE: COMPOSITE BOXES





SERIES 147

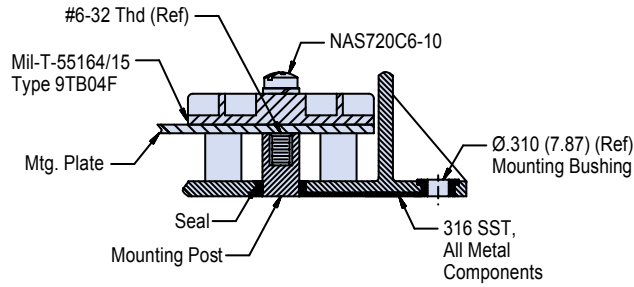
# 15 Ft. Submersion Composite Boxes



140-060XMS-05 (NSN: 5975-01-556-7948)

4 terminal, grounded composite junction box

## HEXAGONAL 4.3 X 4.8 X 2.9 INCH COMPOSITE BOX



### SECTION VIEW D-D

Terminal Block Mounting Plate, Internal Mounting Post And External Mounting Bushing (Ground Option Shown)

TABLE I: Finish

Symbol	Description
XMS	Internal Surfaces - Electroless Nickel Exterior Surfaces - Unplated Light Grey Color
XO	No Plating

TABLE II: MIL-T-55164 Terminal Block

Part Number	National Stock Number
140-060XMS-05	5975-01-556-7948
140-060XMS-05T1	5940-01-557-2579
140-060XMS-05T4	5940-01-557-2712

TABLE III: Replacement Parts

Item	Part Number	Description	Material
1	140-065XMS-14	Cover Assembly	Grey Thermoplastic
2	687-499-2	Cover Screw Assembly	316 SST/Passivate
3	687-305Z131	Mounting Plate Assembly	300 SST/Passivate

TABLE IV: Mounting Plate Assembly

Dash No.	1.950" Mntg Holes	1.625" Mntg Holes	MIL-T-55164 A-A-59125	Number of Terminals	Max No of Wires	Recm'd Max Wire Size	Recm'd Lug MS17143	Qty Blocks per Assembly	Symbol Number	Military Specification
05T1	9TB04	-	/15	4	8	#12 AWG	-	1	-	-
05T2	6TB06	-	/12	6	18	#14 AWG	-5	1	520.1	MIL-T-24588/1
05T3	25TB05	-	/23	5	10	#14 AWG	-17	1	-	-
05T4	T4 Detail	-	/15	6	12	-	-	2	400	MIL-T-24588/18

TOPSIDE: COMPOSITE BOXES

