



SERIES 147

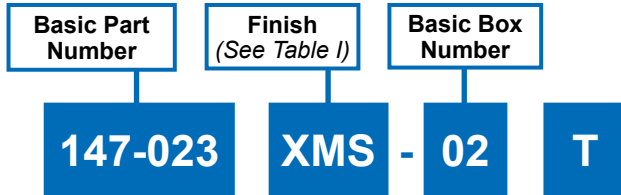
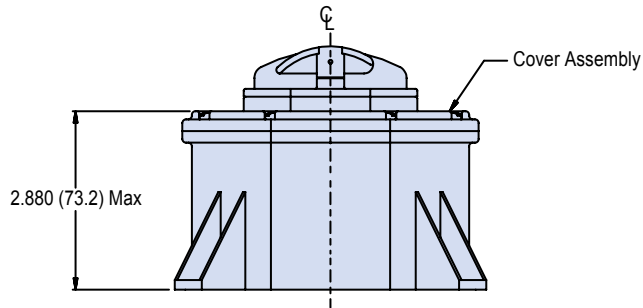
15 Ft. Submersion Composite Boxes



147-023XMS-02 (NSN: 5940-01-557-2667)

(Symbol 1099.1) grounded composite junction box

SINGLE RECEPTACLE, 15 AMP, 115 VOLT BLADE TYPE COMPOSITE BOX • SIZE 4.3 X 4.8 X 2.9



Optional Configuration
 Add "T" for MIL-T-55164/15 Terminal Block
 Omit if Not Required

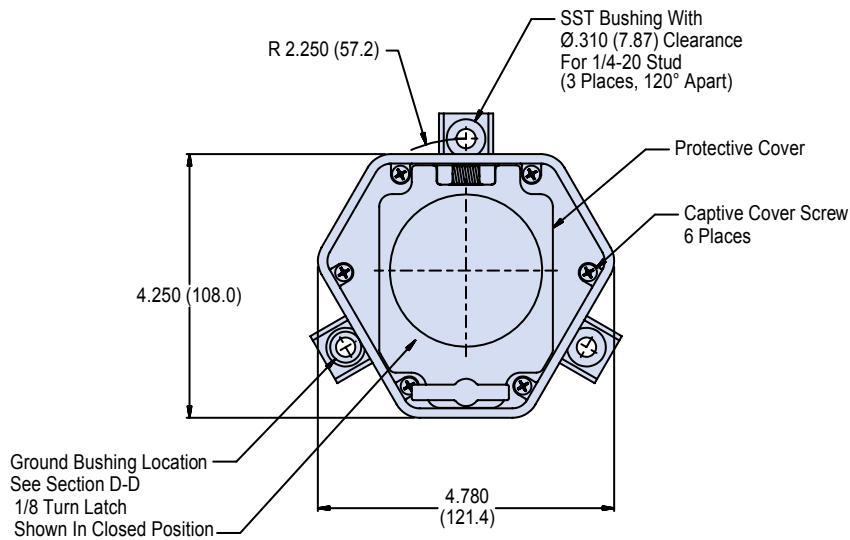
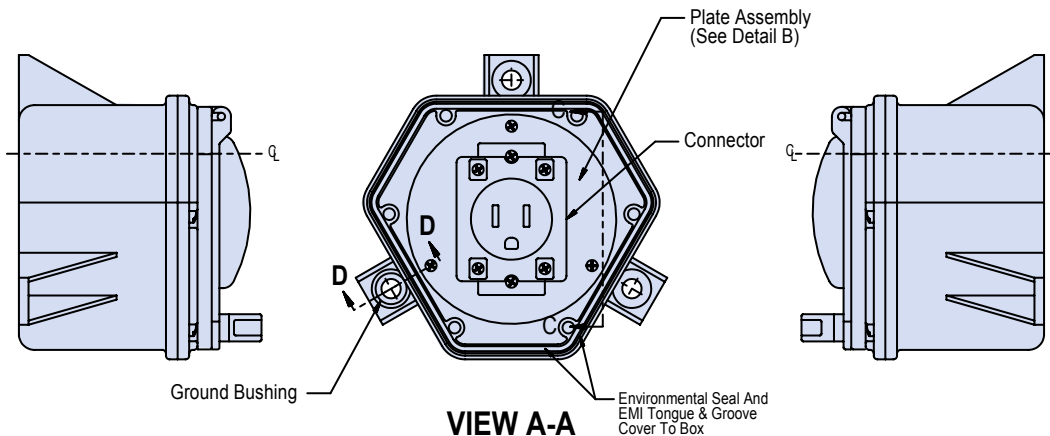


FIGURE 1 TOP VIEW



TOPSIDE: COMPOSITE BOXES





SERIES 147

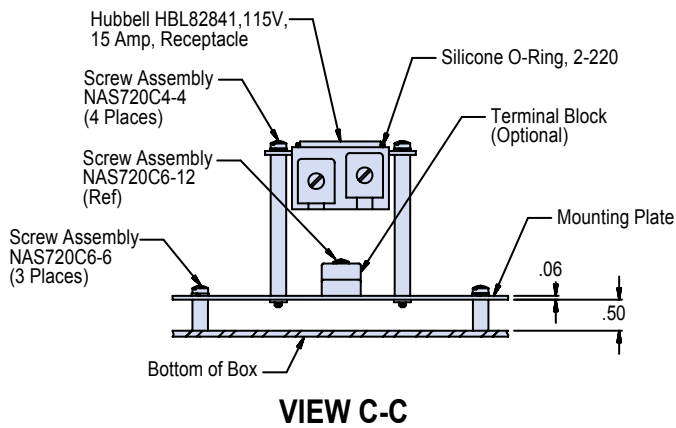
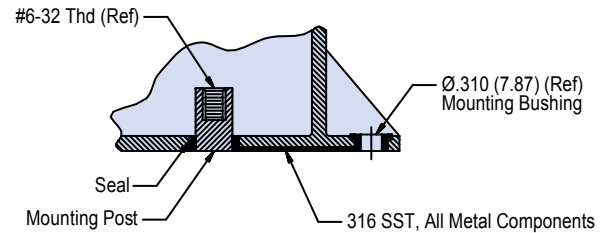
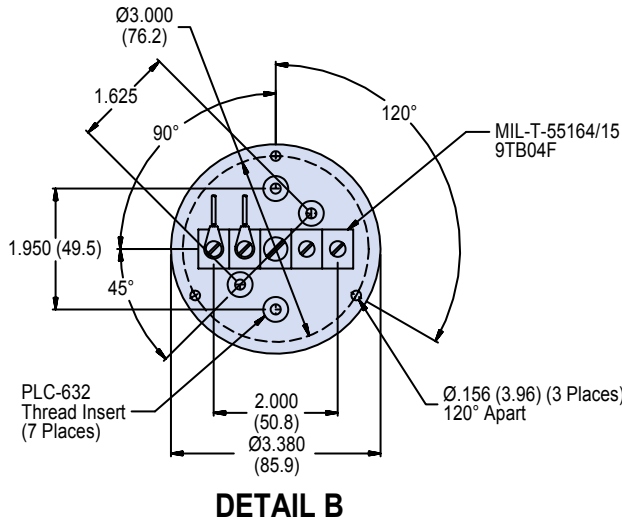
15 Ft. Submersion Composite Boxes



147-023XMS-02 (NSN: 5940-01-557-2667)

(Symbol 1099.1) grounded composite junction box

SINGLE RECEPTACLE, 15 AMP, 115 VOLT BLADE TYPE COMPOSITE BOX • SIZE 4.3 X 4.8 X 2.9



| TABLE I: Finish | |
|-----------------|---|
| Symbol | Description |
| XMS | Internal Surfaces - Electroless Nickel Exterior Surfaces - Unplated Light Grey Color |
| XO | No Plating |

| TABLE II: Replacement Parts | | | |
|-----------------------------|---------------|-------------------------|--------------------|
| Item | Part Number | Description | Material |
| 1 | 140-065XMS-18 | Cover Assembly | Grey Thermoplastic |
| 2 | 687-499-2 | Cover Screw Assembly | 316 SST/Passivate |
| 3 | 687-305Z132 | Mounting Plate Assembly | 300 Series SST |
| 4 | 630-038XO-04K | 1/8 Turn Flop Lid | Grey Thermoplastic |
| 5 | HBL8284I | Electrical Connector | N/A |

APPLICATION NOTES

1. Assembly identified with manufacturer's code identification number (Glenair, part number and date code).
2. Color may be subject to fading, however UV exposure will not affect material physical properties.
3. Assembly is similar to symbol part numbers and require installation in accordance with NAVSEA drawing 803-6983506.
4. Material / Finish:
5. Box, cover - Thermoplastic grey color/see Table I.
 - Hardware - 316 SST/passivate.
 - Seals and gaskets - Silicone/N.A.
 - Mounting Plate - 300 series SST/passivate.
6. Metric dimensions (mm) are indicated in parentheses.

TOPSIDE: COMPOSITE BOXES

