



SERIES 927-072 ITS-Ex Hazardous Zone Connectors

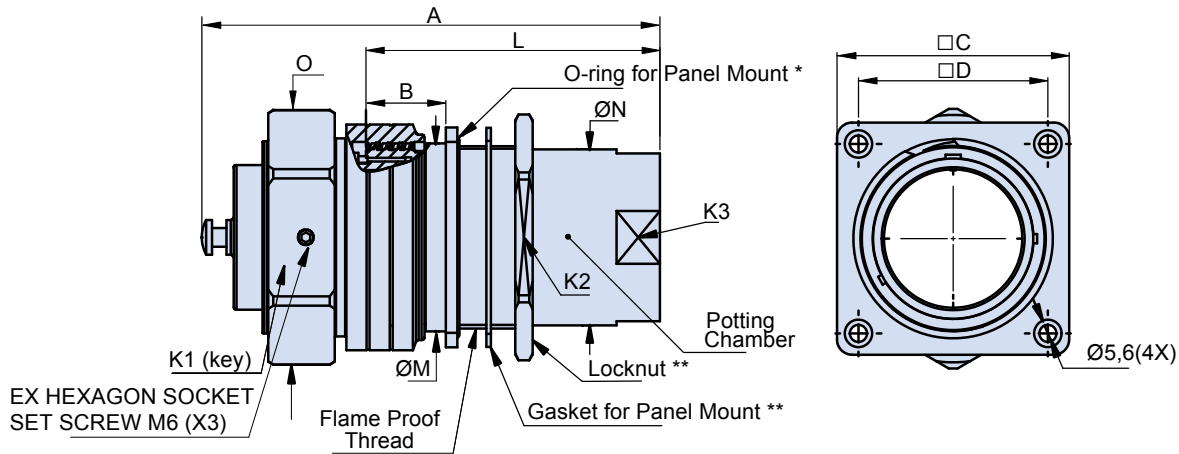


Panel-mount fixed receptacle with potting well and auxiliary lock nut

927-072-003 PANEL-MOUNT FIXED RECEPTACLE WITH POTTING WELL AND AUXILIARY LOCK NUT*

How To Order						
Sample Part Number	927-072	003	36-66	P1	F9	N
Series	927-072					
Style	003 = Panel Mount Fixed Receptacle					
Shell Size - Insert Arrangement	See pages 69 – 74					
Contact Type and Plating	P = Pin Contact S = Socket Contact 1 = Silver Plated 2 = Gold Plated					
Shell Material and Finish	F9 = Aluminium Alloy, Anodize Hardcoat					
Alternate Key Position	N = Normal, X, Y, Z, W (See Table on page 75)					

*Final IEC ATEX Ex d certification pending for this configuration only.
Consult factory for status



(*) For Mounting on Ex d enclosure: use only O-ring for Panel Mount.

(**) For Mounting on Ex e enclosure: use only Gasket for Panel Mount and Locknut.

Dimensions													
Shell Size	A	B	C	D	K1	K2	K3	L	M	N	O	Flame Proof Thread	Min Full Thread Length
10SL	5.02 (127.5)	0.97 (24.7)	1.77 (45)	1.30 (33)	1.61 (41)	1.81 (46)	0.83 (21)	3.07 (78)	1.02 (26)	0.87 (22)	1.81 (46)	M25 x 1.5 6 g	19
18	6.24 (158.5)	1.09 (27.6)	2.24 (57)	1.65 (42)	2.05 (52)	2.20 (56)	1.26 (32)	4.02 (102)	1.50 (38)	1.38 (35)	2.32 (59)	M40 x 1.5 6 g	19
36	6.24 (158.5)	1.09 (27.6)	2.99 (76)	2.44 (62)	3.07 (78)	2.95 (75)	2.28 (58)	4.02 (102)	2.56 (65)	2.39 (60.8)	3.46 (88)	M63 x 1.5 6 g	19

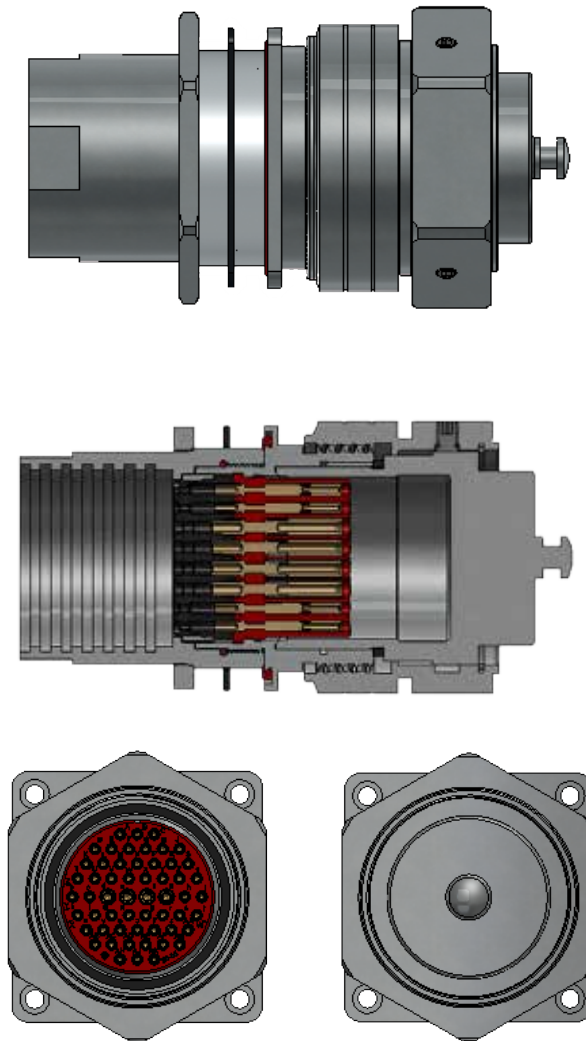
TOPSIDE: ITS-EX™



SERIES 927-072
ITS-Ex Hazardous Zone Connectors



Panel-mount fixed receptacle with
 potting well and auxiliary lock nut



Cable Range Dimensions for Panel Mount		
Shell Size	Cable Type	Cable Jacket Range [mm]
36	Unarmoured cable	23.4 to 41.25
18	Unarmoured cable	9.6 to 20.4
10SL	Unarmoured cable	4.5 to 11.12

TOPSIDE: ITS-EX™

