



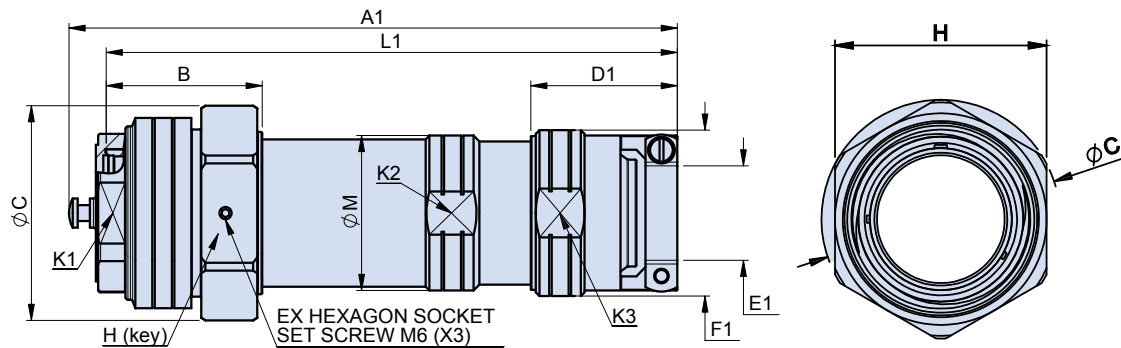
SERIES 927-072 ITS-Ex Hazardous Zone Connectors



Cable plug with mechanical cable clamp

927-072-016 CABLE PLUG WITH ENVIRONMENTAL CABLE ADAPTER AND MECHANICAL CABLE CLAMP

How To Order							
Sample Part Number	927-072	016	36-66	P1	F9	N	A
Series	927-072						
Style	016 = Mechanical Cable Clamp						
Shell Size - Insert Arrangement	See pages 69 - 74						
Contact Type and Plating	P = Pin Contact S = Socket Contact 1 = Silver Plated 2 = Gold Plated						
Shell Material and Finish	F9 = Aluminium Alloy, Anodize Hardcoat						
Alternate Key Position	N = Normal, X, Y, Z, W (See Table on page 75)						
Cable Range	A, B, C (See Table next page)						



TOPSIDE: ITS-EX™

Shell Size	Dimensions												
	A1	B	C	D1	E1		F1	H	K1	K2	K3	L1	M
					Min.	Max.							
10SL	146	2.20 (6.0)	1.81 (46)	1.60 (40.7)	0.18 (4.50)	0.44 (11.12)	1.10 (28.0)	1.61 (41)	0.94 (24)	0.87 (22)	1.06 (27)	5.20 (132)	0.98 (25)
18	185	2.52 (63.9)	2.32 (59)	1.78 (45.2)	0.38 (9.60)	0.94 (23.80)	0.85 (21.5)	2.05 (52)	1.34 (34)	1.42 (36)	1.61 (41)	6.69 (170)	1.50 (38.2)
36	250	2.52 (63.9)	3.46 (88)	2.36 (60)	0.92 (23.40)	1.62 (41.25)	2.68 (68.0)	3.07 (78)	2.36 (60)	2.40 (61)	2.48 (63)	9.25 (235)	2.50 (63.5)

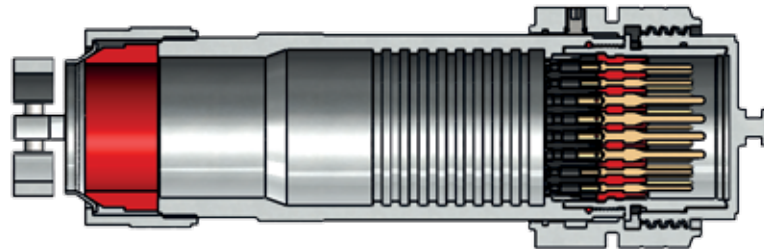
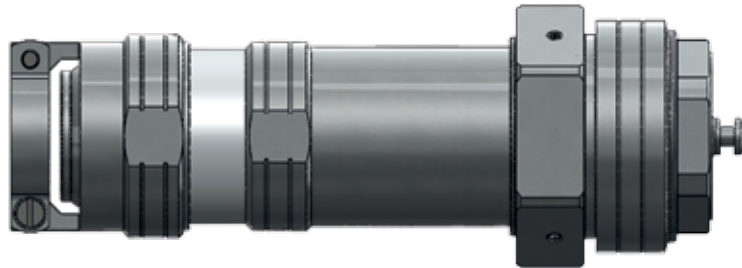


SERIES 927-072

ITS-Ex Hazardous Zone Connectors



Cable plug with mechanical cable clamp



Cable Range Dimensions for Mechanical Cable Clamp

Shell Size	Cable Range Designator	Cable Type	Cable Jacket Range [mm] (1)
36	A	Unarmored cable	29.90 to 41.25
	B	Unarmored cable	23.40 to 35.00
18	A	Unarmored cable	15.50 to 23.80
	B	Unarmored cable	11.30 to 19.00
	C	Unarmored cable	9.60 to 15.87
10SL	A	Unarmored cable	5.84 to 11.12
	B	Unarmored cable	4.50 to 7.93

(1) It is advisable to use reduction sleeves for lower values of cable diameter within cable range.

