

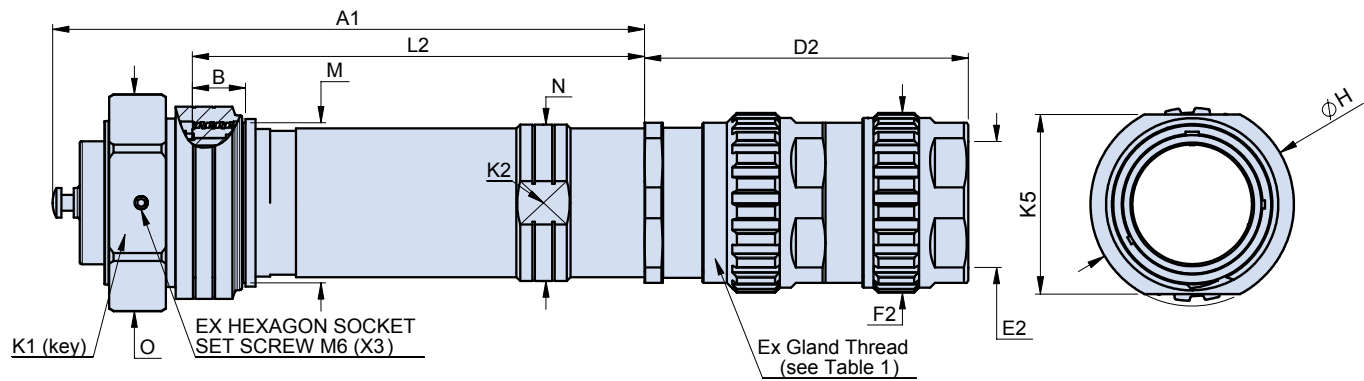


**SERIES 927-072**  
**ITS-Ex Hazardous Zone Connectors**  
 In-line receptacle with Ex cable gland



**927-072-021 IN-LINE RECEPTACLE WITH ENVIRONMENTAL CABLE ADAPTER AND EX CABLE GLAND**

How To Order							
Sample Part Number	927-072	021	36-66	P1	F9	N	A
Style	927-072						
Style	021 = Ex Cable Gland						
Shell Size - Insert Arrangement	See pages 69 – 74						
Contact Type and Plating	<b>P</b> = Pin Contact <b>S</b> = Socket Contact <b>1</b> = Silver Plated <b>2</b> = Gold Plated						
Shell Material and Finish	F9 = Aluminium Alloy, Anodize Hardcoat						
Alternate Key Position	N = Normal, X, Y, Z, W (See Table on page 75)						
Cable Range	A, B, C (See Table next page)						



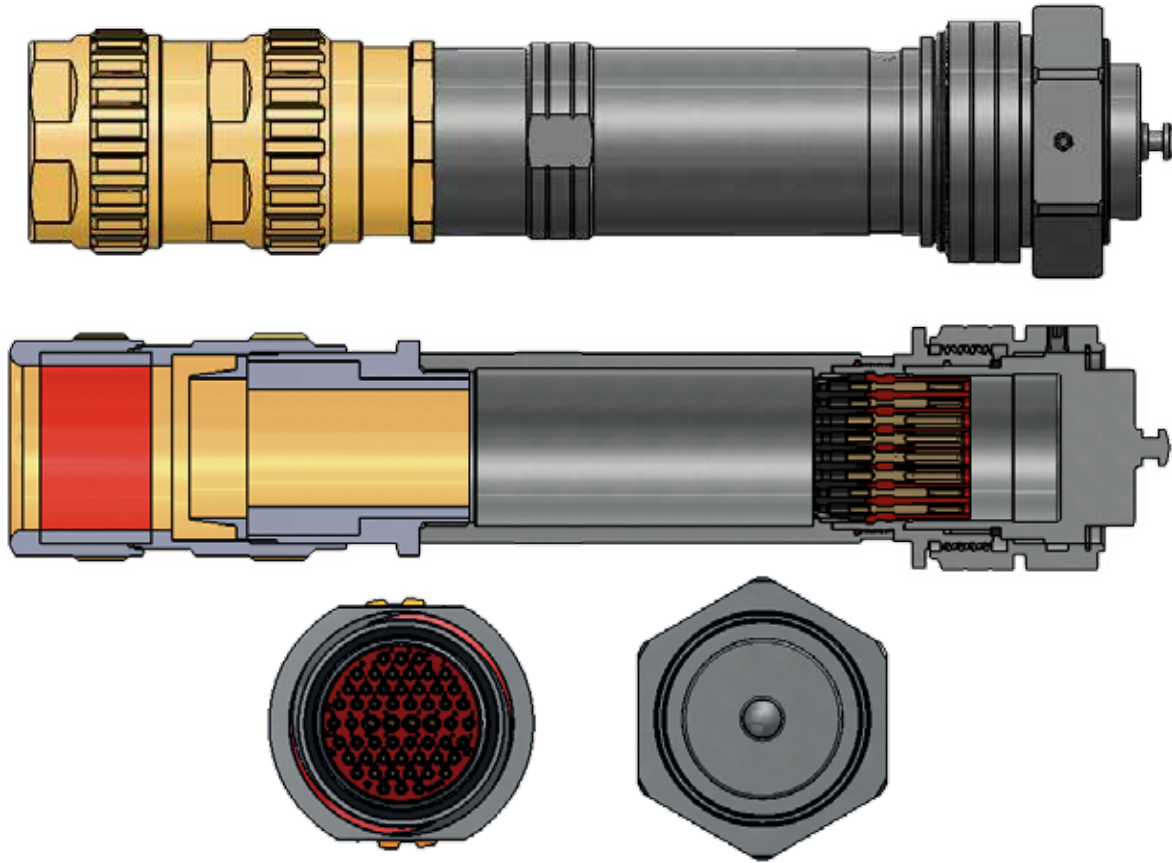
TOPSIDE: ITS-EX™

Shell Size	Dimensions															
	A2	B	C	D2	E2		Ex Gland Thread	F2	H	K1	K2	K5	L2	M	N	O
10SL	5.43 (138)	0.90 (22.8)	1.77 (45)	*	0.12 (3.0)	0.81 (20.50)	M20x1.5 M16x1.5	*	1.46 (37)	1.61 (41)	0.87 (22)	1.34 (34)	3.48 (88.3)	1.02 (26)	0.98 (25)	1.81 (46)
18	7.50 (190.5)	0.98 (24.9)	2.24 (57)	*	0.24 (6.0)	1.02 (26.0)	M25x1.5 M20x1.5	*	1.95 (49.5)	2.05 (52)	1.42 (36)	1.57 (40)	5.28 (134)	1.50 (38)	1.50 (38.2)	2.32 (59)
36	9.49 (241)	0.85 (21.6)	2.99 (76)	*	0.87 (22.0)	2.07 (52.60)	M50x1.5 M40x1.5	*	3.03 (77)	3.07 (78)	2.40 (61)	2.68 (68)	7.24 (184)	2.56 (65)	2.50 (63.5)	3.46 (88)

(\*) Dimension varies according to Ex Cable Gland.



SERIES 927-072  
**ITS-Ex Hazardous Zone Connectors**  
 In-line receptacle with Ex cable gland



Cable Range Dimensions for Ex Cable Gland

Shell Size	Cable Range Designator	Cable Type	Ex Gland Thread	Cable outer sheath range [mm]	Cable inner sheath range [mm]	Armor Range with Clamping Ring
36	A	Unarmored cable	M50x1.5	28 to 41		
	B	Unarmored cable	M40x1.5	22 to 33		
	A1	Armored Cable	M50x1.5	36 to 52.60	28.90 to 44.40	0 to 1.0 and 1.5 to 2.5
	B1	Armored Cable	M40x1.5	28 to 41	22 to 33	0 to 0.7 and 1.3 to 2.0
18	A	Unarmored cable	M25x1.5	12.50 to 20.50		
	B	Unarmored cable	M20x1.5	9 to 16		
	C	Unarmored cable	M20x1.5	6 to 12		
	A1	Armored Cable	M25x1.5	16.90 to 26	12.50 to 20.50	0 to 0.7 and 0.9 to 1.6
	B1	Armored Cable	M25x1.5	12.50 to 20.50	9 to 14	0 to 0.7 and 0.7 to 1.4
	C1	Armored Cable	M20x1.5	12.50 to 20.50	9 to 14	0 to 0.7 and 0.7 to 1.4
	D1	Armored Cable	M20x1.5	9 to 16	6 to 12	0 to 0.7 and 0.7 to 1.25
	E1	Armored Cable	M20x1.5	6 to 12	3 to 8.10	0 to 0.7 and 0.7 to 1.25
10SL	A	Unarmored cable	M20x1.5	9 to 16		
	B	Unarmored cable	M20x1.5	6 to 12		
	C	Unarmored cable	M16x1.5	6 to 12		
	A1	Armored Cable	M20x1.5	12.50 to 20.50	9 to 14	0 to 0.7 and 0.7 to 1.4
	B1	Armored Cable	M20x1.5	9 to 16	6 to 12	0 to 0.7 and 0.7 to 1.25
	C1	Armored Cable	M20x1.5	6 to 12	3 to 8.1	0 to 0.7 and 0.7 to 1.25
	D1	Armored Cable	M16x1.5	6 to 12	3 to 8.1	0 to 0.7 and 0.7 to 1.25

TOPSIDE: ITS-EX™

