

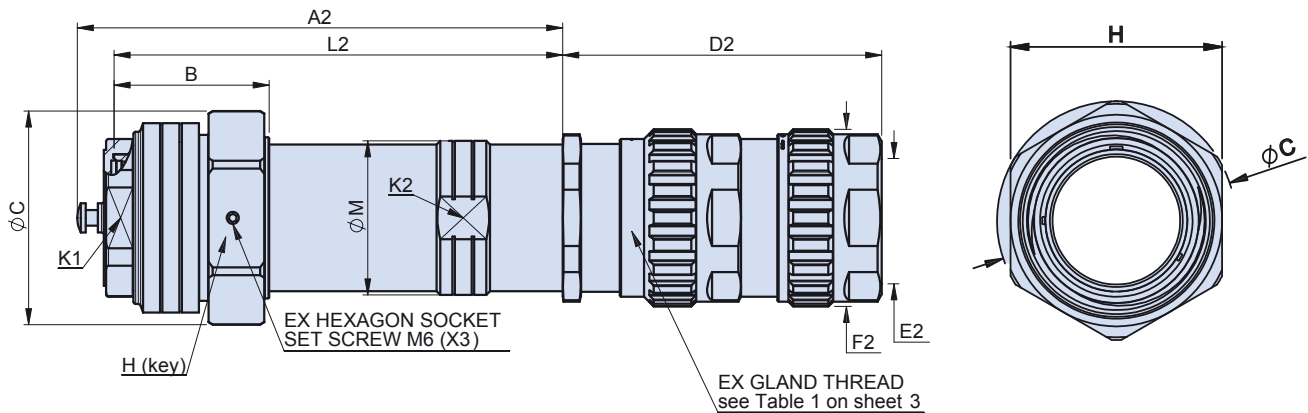


SERIES 927-072
ITS-Ex Hazardous Zone Connectors
Cable plug with Ex cable gland



927-072-026 CABLE PLUG WITH ENVIRONMENTAL CABLE ADAPTER AND EX CABLE GLAND

How To Order							
Sample Part Number	927-072	026	36-66	P1	F9	N	A
Series	927-072						
Style	026 = Ex Cable Gland						
Shell Size - Insert Arrangement	See pages 69 – 74						
Contact Type and Plating	P = Pin Contact S = Socket Contact 1 = Silver Plated 2 = Gold Plated						
Shell Material and Finish	F9 = Aluminium Alloy, Anodize Hardcoat						
Alternate Key Position	N = Normal, X, Y, Z, W (See Table on page 75)						
Cable Range	A, B, C (See Table next page)						



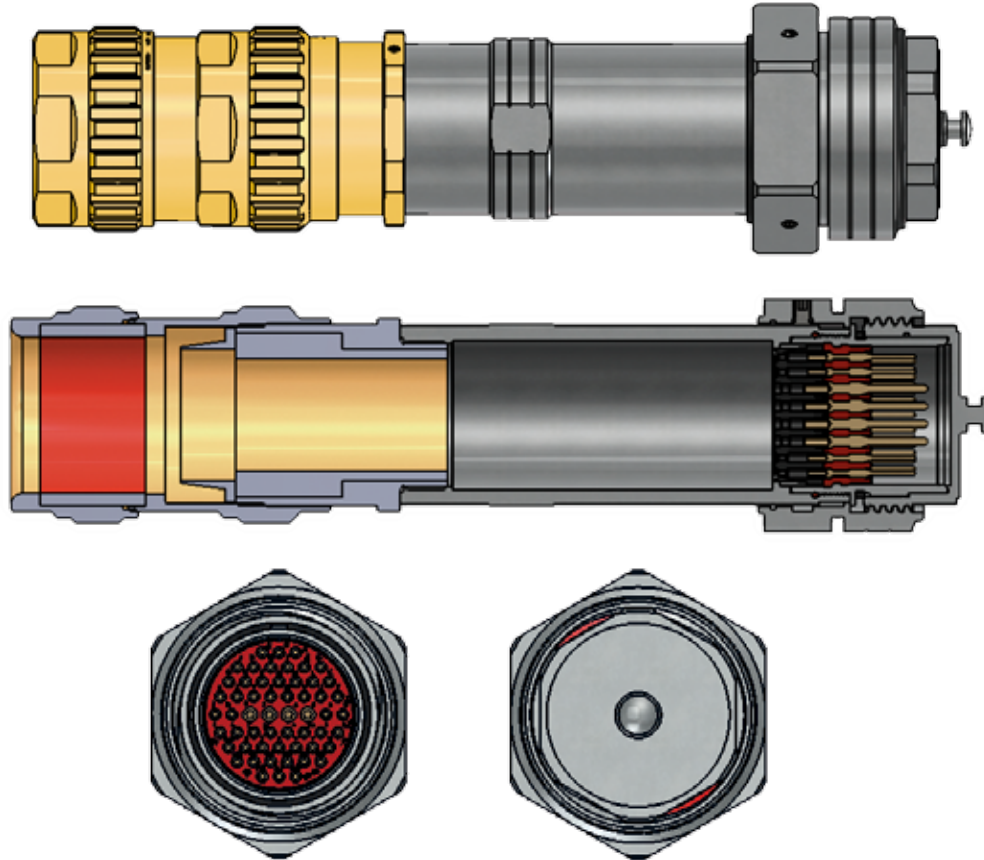
Shell Size	Dimensions													
	A2	B	C	D2	E2		Ex Gland Thread	F2	H	K1	K2	L2	M	
					Min.	Max.								
10SL	4.13 (105)	2.20 (56.0)	1.81 (46)	*	3.0 (0.12)	20.50 (0.81)	M20x1.5 M16x1.5	*	1.61 (41)	0.94 (24)	0.87 (22)	3.58 (91)	0.98 (25)	
18	5.94 (151)	2.52 (63.9)	2.32 (59)	*	6.0 (0.24)	26.0 (1.02)	M25x1.5 M20x1.5	*	2.05 (52)	1.34 (34)	1.42 (36)	5.31 (135)	1.50 (38.2)	
36	7.91 (201)	2.52 (63.9)	3.46 (88)	*	22.0 (0.87)	52.60 (2.07)	M50x1.5 M40x1.5	*	3.07 (78)	2.36 (60)	2.40 (61)	7.28 (185)	2.50 (63.5)	

(*) Dimension varies according to Ex Cable Gland.

TOPSIDE: ITS-EX™



SERIES 927-072
ITS-Ex Hazardous Zone Connectors
 Cable plug with Ex cable gland



Cable Range Dimensions for Ex Cable Gland

Shell Size	Cable Range Designator	Cable Type	Ex Gland Thread	Cable outer sheath range [mm]	Cable inner sheath range [mm]	Armor Range with Clamping Ring
36	A	Unarmored cable	M50x1.5	28 to 41		
	B	Unarmored cable	M40x1.5	22 to 33		
	A1	Armored Cable	M50x1.5	36 to 52.60	28.90 to 44.40	0 to 1.0 and 1.5 to 2.5
	B1	Armored Cable	M40x1.5	28 to 41	22 to 33	0 to 0.7 and 1.3 to 2.0
18	A	Unarmored cable	M25x1.5	12.50 to 20.50		
	B	Unarmored cable	M20x1.5	9 to 16		
	C	Unarmored cable	M20x1.5	6 to 12		
	A1	Armored Cable	M25x1.5	16.90 to 26	12.50 to 20.50	0 to 0.7 and 0.9 to 1.6
	B1	Armored Cable	M25x1.5	12.50 to 20.50	9 to 14	0 to 0.7 and 0.7 to 1.4
	C1	Armored Cable	M20x1.5	12.50 to 20.50	9 to 14	0 to 0.7 and 0.7 to 1.4
	D1	Armored Cable	M20x1.5	9 to 16	6 to 12	0 to 0.7 and 0.7 to 1.25
	E1	Armored Cable	M20x1.5	6 to 12	3 to 8.10	0 to 0.7 and 0.7 to 1.25
10SL	A	Unarmored cable	M20x1.5	9 to 16		
	B	Unarmored cable	M20x1.5	6 to 12		
	C	Unarmored cable	M16x1.5	6 to 12		
	A1	Armored Cable	M20x1.5	12.50 to 20.50	9 to 14	0 to 0.7 and 0.7 to 1.4
	B1	Armored Cable	M20x1.5	9 to 16	6 to 12	0 to 0.7 and 0.7 to 1.25
	C1	Armored Cable	M20x1.5	6 to 12	3 to 8.1	0 to 0.7 and 0.7 to 1.25
	D1	Armored Cable	M16x1.5	6 to 12	3 to 8.1	0 to 0.7 and 0.7 to 1.25

TOPSIDE: ITS-EX™

