



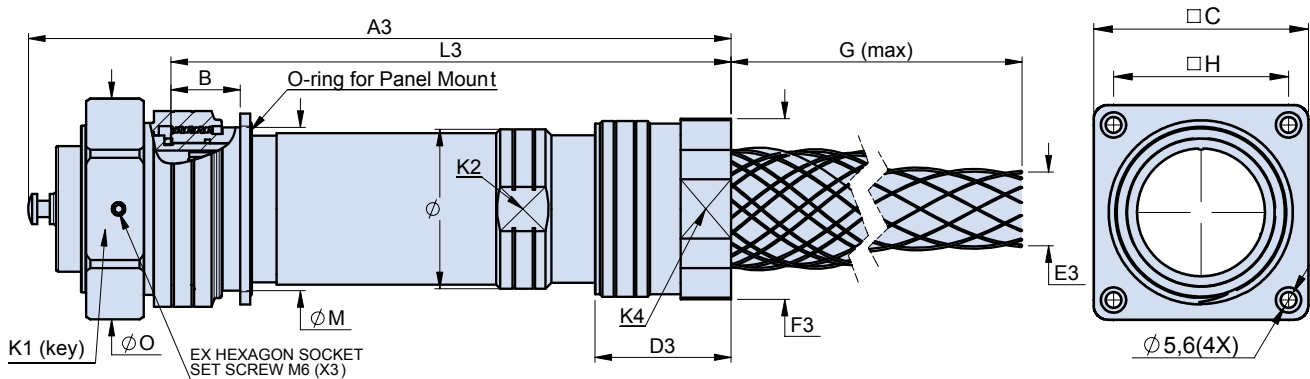
SERIES 927-072 ITS-Ex Hazardous Zone Connectors



Fixed in-line receptacle with basket weave cable grip

927-072-032 FIXED IN-LINE RECEPTACLE WITH ENVIRONMENTAL CABLE ADAPTER AND BASKET WEAVE CABLE GRIP

How To Order							
Sample Part Number	927-072	032	36-66	P1	F9	N	A
Series	927-072						
Style	032 = Basket Weave Cable Grip						
Shell Size - Insert Arrangement	See pages 69 – 74						
Contact Type and Plating	P = Pin Contact S = Socket Contact 1 = Silver Plated 2 = Gold Plated						
Shell Material and Finish	F9 = Aluminium Alloy, Anodize Hardcoat						
Alternate Key Position	N = Normal, X, Y, Z, W (See Table on page 75)						
Cable Range	A, B, C (See Table next page)						



Shell Size	Dimensions															
	A3	B	C	D3	E3		F3	G	H	K1	K2	K4	L3	M	N	O
10SL		0.97 (24.7)	1.77 (45)						1.30 (33)	1.61 (41)	0.87 (22)			1.02 (26)	0.98 (25.0)	1.81 (46)
18	8.78 (223)	1.09 (27.6)	2.24 (57)	1.68 (42.7)	0.50 (12.70)	0.94 (23.80)	1.81 (46.0)	201**	1.65 (42)	2.05 (52)	1.42 (36)	1.65 (42)	6.54 (166)	1.50 (38)	1.50 (38.2)	2.32 (59)
36	11.02 (280)	1.09 (27.6)	2.99 (76)	2.06 (52.4)	25.60 (1.01)	1.62 (41.25)	2.83 (72.0)	315**	2.44 (62)	78 (3.07)	2.40 (61)	2.68 (68)	8.82 (224)	2.56 (65)	2.50 (63.5)	3.46 (88)

(**) Max overall dimension; dimension less than max one, depending on Basket Weave Cable Range.

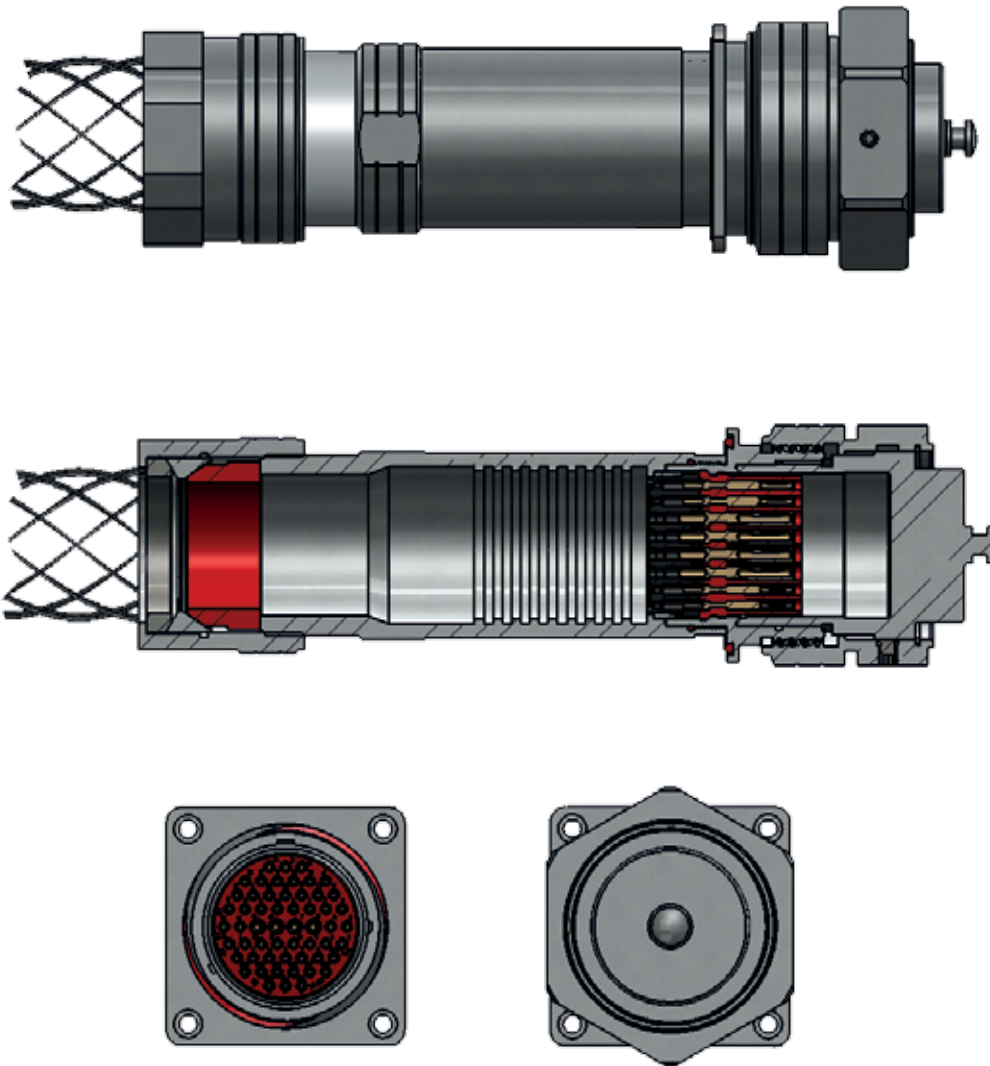


SERIES 927-072

ITS-Ex Hazardous Zone Connectors



Fixed in-line receptacle
with basket weave cable grip



Cable Range Dimensions for Basketweave Cable Grip			
Shell Size	Cable Range Designator	Cable Type	Cable Jacket Range [mm] (1)
36	A	Unarmored cable	39.40 to 41.25
	B	Unarmored cable	38.90 to 40.50
	C	Unarmored cable	34.50 to 38.50
	D	Unarmored cable	31.00 to 34.90
	E	Unarmored cable	29.40 to 33.30
	F	Unarmored cable	25.60 to 29.50 (1)
18	A	Unarmored cable	19.60 to 23.80
	B	Unarmored cable	18.00 to 22.20 (1)
	C	Unarmored cable	15.50 to 19.10
	D	Unarmored cable	12.70 to 15.87
	E	Unarmored cable	10.40 to 12.70 (1)
10SL	Not available		

(1) It is advisable to use reduction sleeves for lower values of cable diameter within cable range.

