



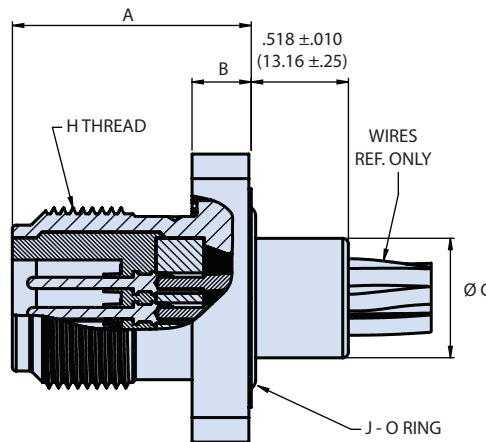
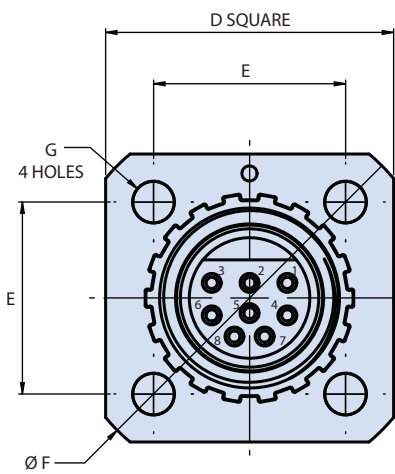
# 10K PSI / 700 BAR / 7000M SuperG55™ High-Pressure, Dry-Mate Subsea Connectors



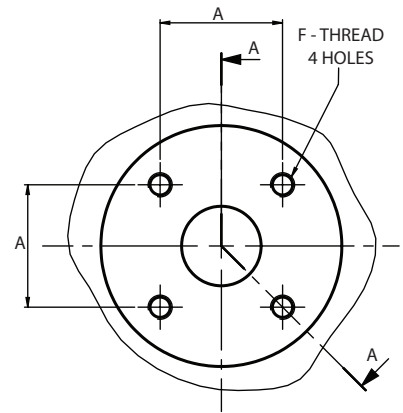
## G55 06IF indexable flange connector receptacle (IFCR)



SuperG55™ IFCR - How To Order					
<b>Sample Part Number</b>	<b>G55</b>	<b>06IF</b>	<b>15</b>	<b>03</b>	<b>-0001</b>
<b>Series</b>	SuperG55™ = Underwater dry-mate				
<b>Connector Style</b>	06IF = Indexable flange receptacle connector				
<b>Shell Size</b>	15, 20, 24				
<b>Number of Contacts</b>	See contact arrangements (page 23)				
<b>Cable Length</b>	In feet (0001 = 1 foot, 0002 = 2 feet, etc.)				



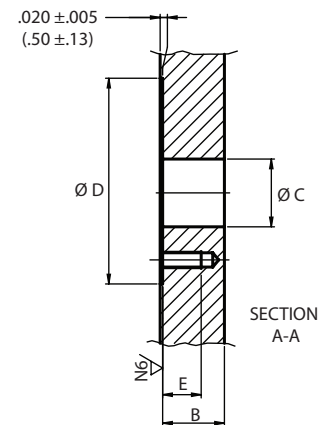
### PANEL CUTOUT DIMENSIONS



Dimensions					
Shell Size	Dim A ±.007 (.18)	Dim B ±.002 (.05)	Dim C ±.002 (.05)	Dim D ±.005 (.13)	Dim E ±.002 (.05)
15	1.231 (31.27)	.296 (7.52)	.622 (15.80)	1.500 (38.10)	1.000 (25.40)
20	1.481 (37.62)	.355 (9.02)	.737 (18.73)	1.750 (44.45)	1.250 (31.75)
24	1.481 (37.62)	.355 (9.02)	.987 (25.08)	2.000 (50.80)	1.500 (38.10)

Dimensions (continued)				
Shell Size	Dim F ±.005 (.13)	Dim G +.004/-0 (+.10/-0)	H Thread	J O-Ring
15	1.949 (49.50)	.217 (5.50)	15/16"-20UNEF-2A	BS1806-116
20	2.299 (58.39)	.276 (7.00)	1 1/4"-9 STUB ACME	BS1806-118
24	2.626 (66.70)	.276 (7.00)	1 1/2"-9 STUB ACME	BS1806-122

Panel Mount Dimensions						
Shell Size	Dim A ±.004 (.10)	Dim B Min	Dim C ±.005 (.13)	Dim D ±.005 (.13)	E Thread Depth Typical	F - Thread
15	1.000 (25.40)	.525 (13.34)	.650 (16.51)	1.980 (50.29)	.315 (8.00)	M5 x 0.8-6h
20	1.250 (31.75)	.625 (15.88)	.770 (19.56)	2.33 (59.18)	.375 (9.52)	M6 x 1.0-6H
24	1.500 (38.10)	.625 (15.88)	1.020 (25.91)	2.655 (67.44)	.375 (9.52)	M6 x 1.0-6H



### NOTES

- 1508 Pin configuration shown. Other pin configurations available
- All contacts / pin configurations suit 16 AWG wire

SUBSEA/DEEPWATER: SUPERG55™

