



10K PSI SOLUTION

Micro-PSI



Microminiature, high-pressure Specifications and insert arrangements

MICRO PSI HOW TO ORDER, SPECIFICATIONS, MATERIALS AND FINISHES

Micro-PSI - How To Order						
Sample Part Number	707-0264 -7 ME4 Z1 S N					
Series / Basic P/N	707-0264 = Series and Basic Part Number					
Connector Style	1 = CCP (Cable Connector Plug) 6 = FCR (Flange Mount Receptacle)		5 = CCR (Cable Connector Receptacle) 7 = BCR (Bulkhead Mount Receptacle)			
Shell Size / Layout	See Insert Arrangements					
Shell Material	Z1 = Stainless Steel					
Contact Type and Termination Style	Plugs P = Pin / Solder Cups B = Pin / Flying Leads (6 inches long) C = Pin / PCB Terminals		Receptacles S = Socket / Solder Cups F = Socket / Flying Leads (6 inches long) D = Socket / PCB Terminals			
Clacking Position	N = Normal, A, B, C (See Key and Keyway Positions table below)					

Performance Ratings

Connector Pressure Ratings:
10,000 PSI (Open face receptacle)
10,000 PSI (Mated CCP)

Pressure Tested To:
10,000 PSI per ISO 13628-6

Electrical Performance:
Insulation Resistance: 1000 Megohms at 100 VDC per EIA-364-21
Coax Performance: DC to 5 GHz
Temperature Range: -20°C to +150°C

Hermeticity:

<1 x 10⁻⁷ scc He / sec @ 1 ATM pressure differential; receptacles only

Connector Material / Finish

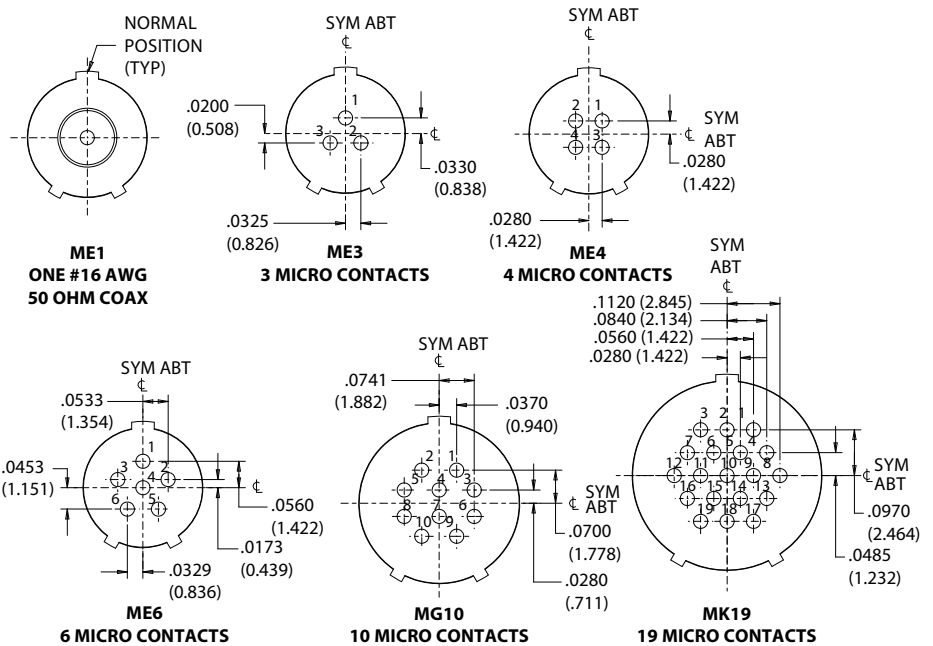
Connector Shell: 316L SST / passivated
Coupling Ring: nickel bronze / None
O-rings: Viton 90 durometer / none
Contacts: nickel-iron alloy / gold over nickel
Hermetic Seal: vitreous glass / none

NOTES

- Plug connectors typically supplied as prewired factory cable assemblies with Viton® overmolding for caustic chemical resistance
- Receptacle connectors commonly supplied as prewired pigtails or flex jumpers for direct connection to printed circuit boards and / or data drives
- High-speed Ethernet up to 1Gbps

MicroPSI Key and Keyway Positions				
Key Position	Key Rotation		Plug	Receptacle
	X°	Y°		
Normal (N)	150°	210°		
A	75°	210°		
B	95°	230°		
C	140°	275°		

INSERT ARRANGEMENTS





10K PSI SOLUTION

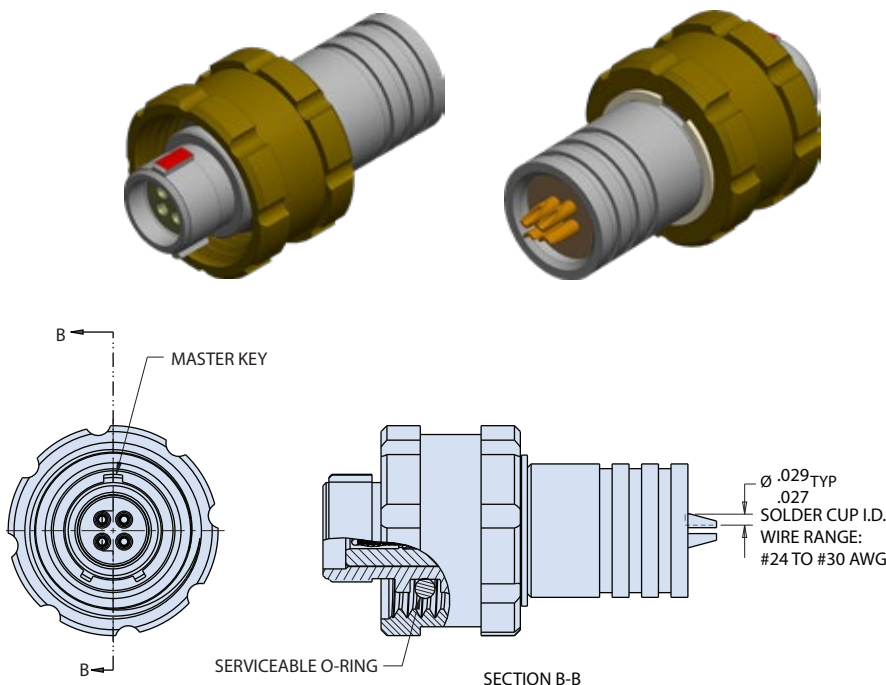
Micro-PSI



Microminiature, high-pressure connectors and cables

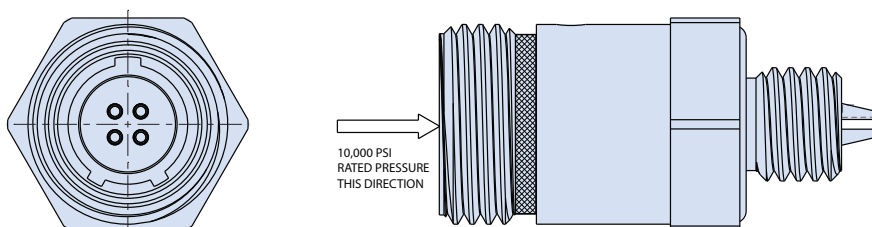
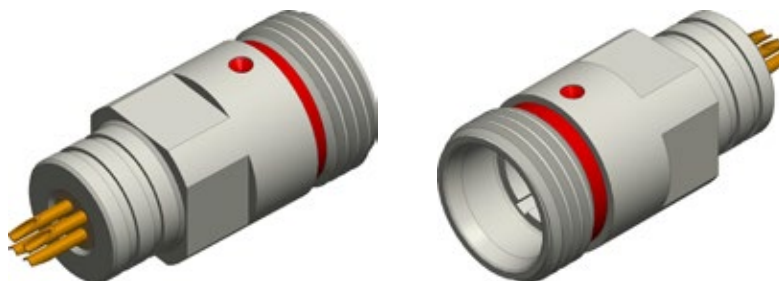
707-0264-1 MICRO-PSI CABLE CONNECTOR PLUG

- 10K psi rated, mated condition
- Red alignment indicator for accurate mating
- Serviceable O-ring for reliable sealing and easy maintenance
- Ultra small form-factor
- Mates with 707-0264-5 CCR, 707-0264-6 FCR and 707-0264-7 BCR



707-0264-5 MICRO-PSI CABLE CONNECTOR RECEPTACLE

- 10K psi open-face rated
- Vitreous glass sealed, $<1 \times 10^{-7}$ scc He/sec hermeticity
- Operating temperature -20° to $+150^{\circ}$ C
- Alignment and full-mate indicators
- Ultra small form-factor
- Flying lead option available
- Mates with 707-0264-1 CCP Plugs





10K PSI SOLUTION

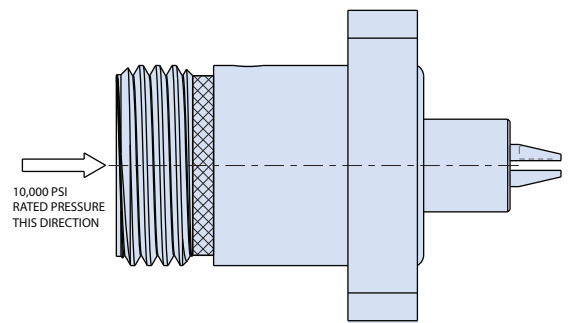
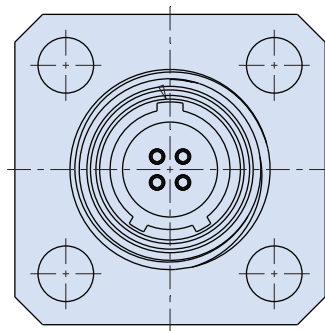
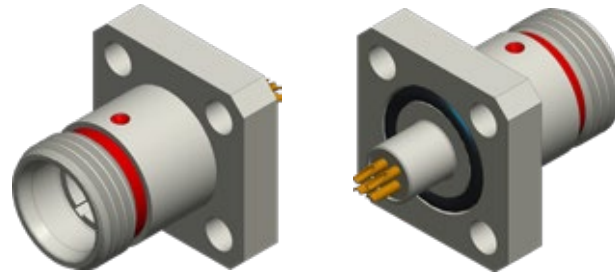
Micro-PSI



Microminiature, high-pressure connectors and cables

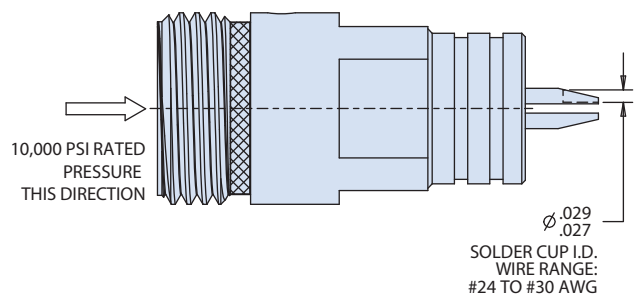
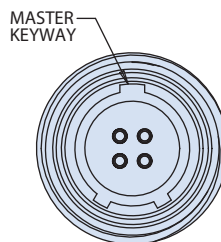
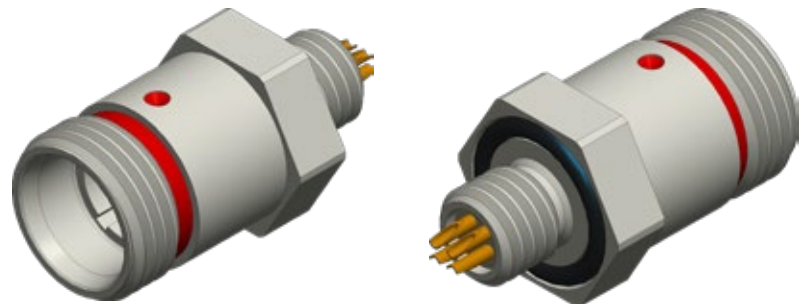
707-0264-6 MICRO-PSI FLANGE MOUNT RECEPTACLE

- 10K psi open-face rated
- Vitreous glass sealed, $<1 \times 10^{-7}$ scc He/sec hermeticity
- Operating temperature -20° to $+150^{\circ}$ C
- Fail-safe piston and mounting face O-rings
- Alignment and full-mate indicators
- Ultra small form-factor
- Flying lead option available
- Mates with 707-0264-1 CCP Plugs



707-0264-7 MICRO-PSI BULKHEAD MOUNT RECEPTACLE

- 10K psi open-face rated
- Vitreous glass sealed, $<1 \times 10^{-7}$ scc He/sec hermeticity
- Operating temperature -20° to $+150^{\circ}$ C
- Fail-safe piston and mounting face O-rings
- Alignment and full-mate indicators
- Flying lead option available
- Mates with 707-0264-1 CCP Plugs





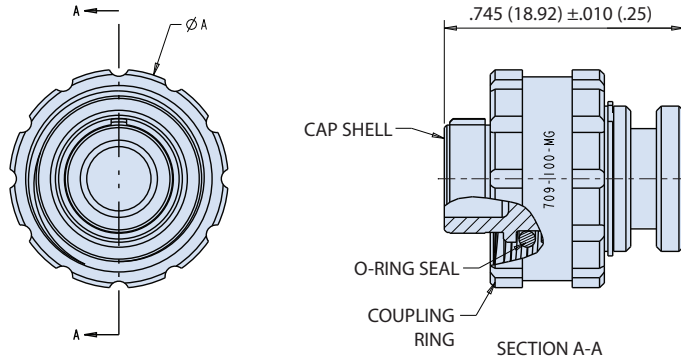
10K PSI SOLUTION Micro-PSI



Microminiature, high-pressure connectors and cables

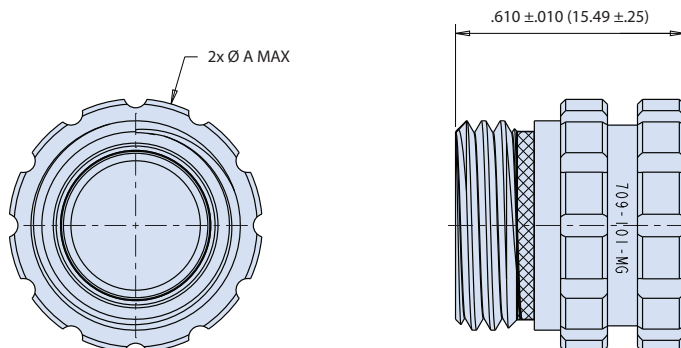
709-100 MICRO-PSI PLUG PRESSURE

- 10K psi rated, mated condition
- Red alignment indicator for accurate mating
- Serviceable O-ring for reliable sealing and easy maintenance



709-101 MICRO-PSI RECEPTACLE PRESSURE

- 10K psi rated, mated condition
- Red alignment indicator for accurate mating
- Serviceable O-ring for reliable sealing and easy maintenance





10K PSI SOLUTION

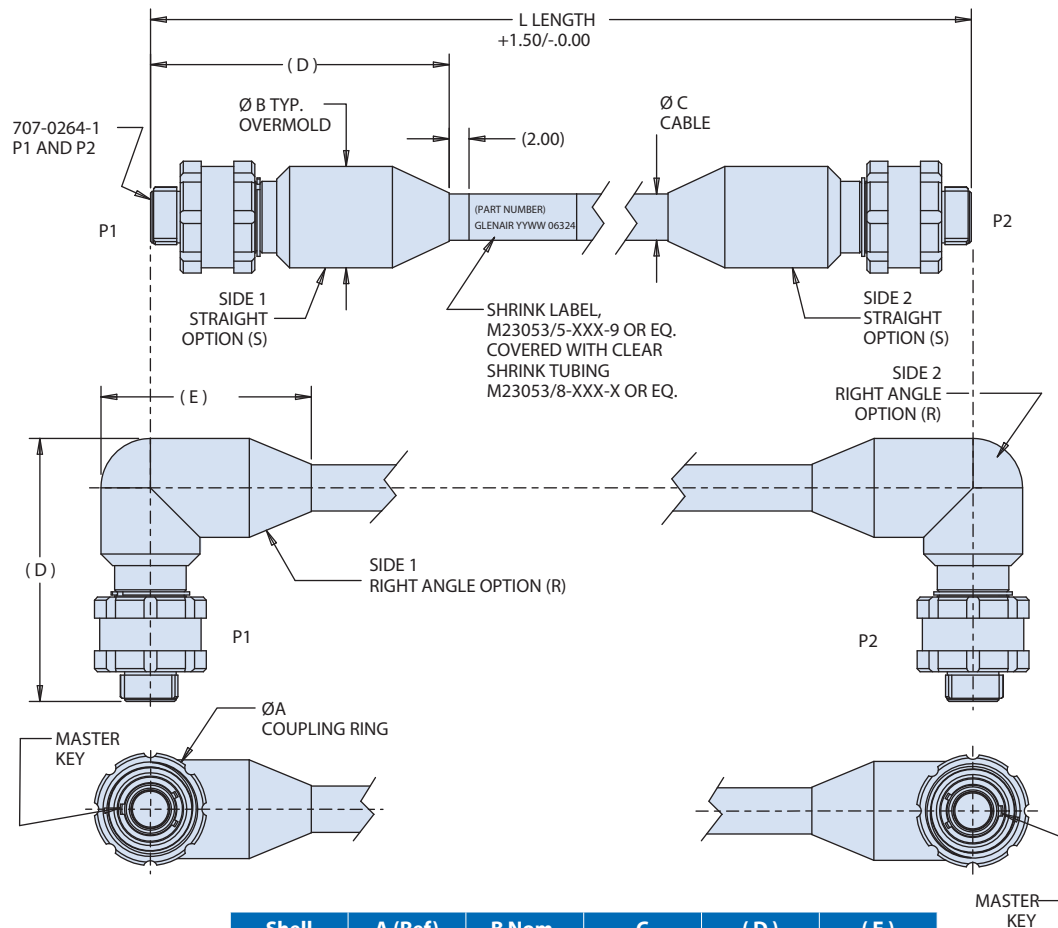
Micro-PSI



Microminiature, high-pressure connectors and cables

7071-0069 MICRO-PSI OVERMOLDED PLUG-TO-PLUG / PIGTAIL CABLE ASSEMBLY

Micro-PSI - How To Order									
Sample Part Number	7071-0069	-S	R	-ME4	-Z1	U	N	-4	
Series / Basic P/N	7071-0069 = Back-to-Back or Pigtail Plug Cable Assembly								
Overmold Style (P1)	R = Right Angle S = Straight								
Overmold Style (P2)	R = Right Angle S = Straight N = None (pigtail assembly)								
Shell Size / Contact Layout	See page 50								
Plug Shell Material	Z1 = Stainless Steel TC = Titanium								
Overmold and Jacket Mtrl	V = Viton U = Polyurethane								
Clocking Position	N = Normal, A, B, C (See page 50)								
Length (inches)	Length in inches, i.e. 4 equals 4 inches								



Shell Size	A (Ref) Cplg Ring	B Nom. Overmold	C Cable	(D) Overmold	(E) 90 Length
ME	0.550	0.470	0.265	1.50	1.00
MG	0.685	0.585	0.342	1.50	1.13
MK	0.750	0.675	0.590	1.50	1.16