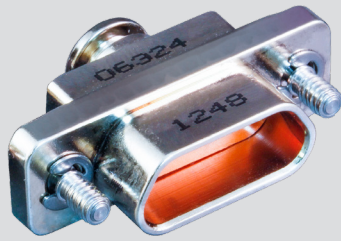


"ZERO-CROSSTALK" M83513 Micro-D VersaLink™ Connectors



500-154 Micro-D Protective Covers for Common Ground Design Layouts

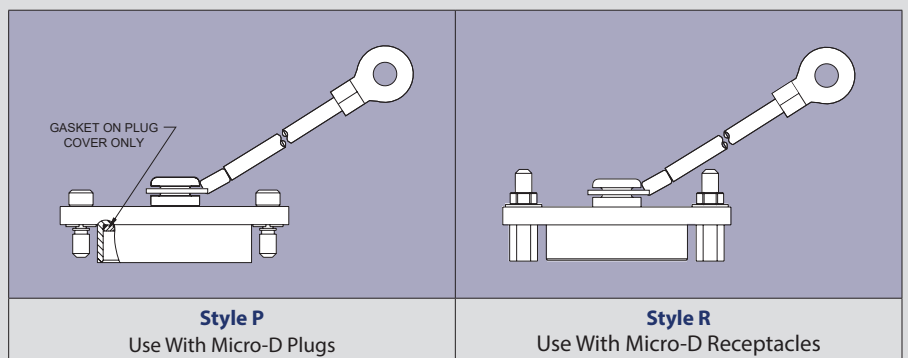


Dust Cover for High-Speed Micro-D connector

		HOW TO ORDER							
Sample Part Number		500-154	M	2-0	P	B	N	5	-01
Series	500-154 = Dust Covers for Glenair High-Speed Micro-D Plug or Receptacle								
Shell Finish	M = Electroless Nickel Z2 = Gold Plate								
Shell Size	1-0, 2-0, 1-9, 2-9, 4-0, 2-15, 2-21, 3-9, 4-15, 4-31, 8-9, 10-0								
Style	P = Dust Cover for Plug R = Dust Cover for Receptacle								
Hardware Type	B = No Hardware (Ø.093) M = Hexhead Jackscrew S = Slotted Jackscrew P = Female Jackpost M = Hexhead Jackscrew S = Jackscrew L = Hexhead Non-Removable Jackscrew								
Attachment Type	F = Wire Rope, Nylon Jacket H = Wire Rope, Fluoropolymer Jacket N = No Lanyard Attachment NB = No Lanyard Or Attachment Boss R = Wire Rope, PVC Jacket T = Wire Rope, No Jacket G = Flexible Nylon Rope								
Attachment Length	Length in One Inch Increments; Example: "6" equals six inches.								
Attachment Diameter (I.D. of Ring Terminal)	01 = .140 (3.6) 02 = .182 (4.6) 03 = .191 (4.9) 04 = .197 (5.0) 05 = .167 (4.2) 06 = .125 (3.2)								

MICRO-D VERSALINK CONNECTORS

PROTECTIVE COVER STYLES



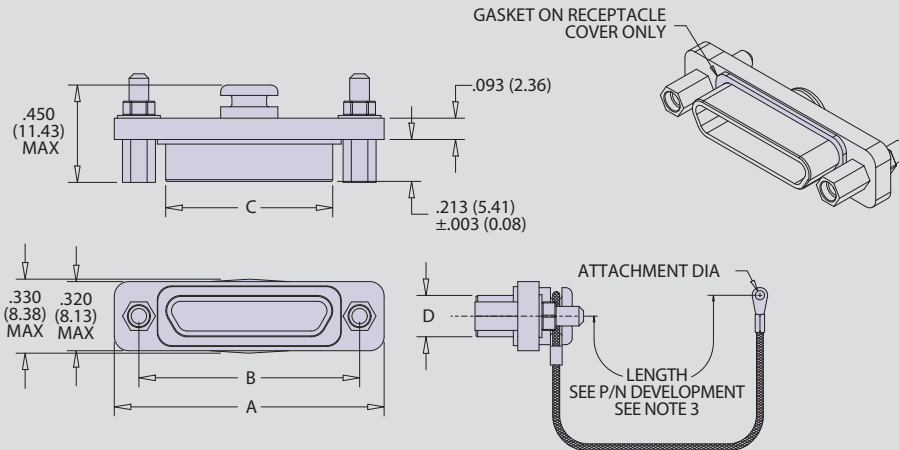
"ZERO-CROSSTALK" M83513 Micro-D VersaLink™ Connectors



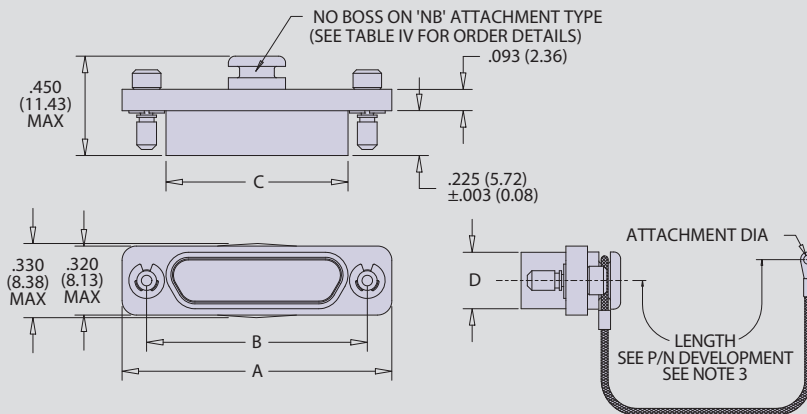
500-154 Micro-D Protective Covers Utilizing Common Ground Design Layouts

MICRO-D VERSALINK CONNECTORS

500-148 DIMENSIONS



Style R
Dust Cover For Receptacle



Style P
Dust Cover For Plug

DUST COVER DIMENSIONS

Layout	A Max	B ±.003	C Max	D Max
1-0P	.785 (19.94)	.565 (14.35)	.333 (8.46)	.184 (4.67)
1-0S	.785 (19.94)	.565 (14.35)	.400 (10.16)	.250 (6.35)
2-0P	.935 (23.75)	.715 (18.16)	.483 (12.27)	.184 (4.67)
2-0S	.935 (23.75)	.715 (18.16)	.551 (14.00)	.250 (6.35)
1-9P	1.085 (27.56)	.865 (21.97)	.633 (16.08)	.184 (4.67)
1-9S	1.085 (27.56)	.865 (21.97)	.701 (17.81)	.250 (6.35)
2-9P, 4-0P	1.185 (30.10)	.965 (24.51)	.733 (18.62)	.184 (4.67)
2-9S, 4-0S	1.185 (30.10)	.965 (24.51)	.801 (20.35)	.250 (6.35)
2-15P	1.335 (33.91)	1.115 (28.32)	.883 (22.43)	.184 (4.67)
2-15S	1.335 (33.91)	1.115 (28.32)	.951 (24.16)	.250 (6.35)
2-21P, 3-9P	1.485 (37.72)	1.265 (32.13)	1.033 (26.24)	.184 (4.67)
2-21S, 3-9S	1.485 (37.72)	1.265 (32.13)	1.101 (27.97)	.250 (6.35)
4-15P	1.835 (46.61)	1.615 (41.02)	1.384 (35.15)	.184 (4.67)
4-15S	1.835 (46.61)	1.615 (41.02)	1.450 (36.83)	.250 (6.35)
4-31P, 8-9P, 10-0P	2.235 (56.77)	2.015 (51.18)	1.784 (45.31)	.184 (4.67)
4-31S, 8-9S, 10-0S	2.235 (56.77)	2.015 (51.18)	1.850 (46.99)	.250 (6.35)