

"ZERO-CROSSTALK" M83513 Micro-D VersaLink™ Connectors



GVLM-USP1 Sav-Con for Common Ground Design Layouts

MICRO-D VERSALINK CONNECTORS



MATERIALS AND FINISHES

- Connector shell: aluminum alloy 6061, nickel plating
- Insulator (v): rigid dielectric
- Insulator (m): liquid crystal polymer (LCP) or polyphenylene sulfide (PPS)
- Flange seal: fluorosilicone rubber, blue
- Pin contact: copper alloy, gold over nickel plating
- Socket contact: copper alloy, gold over nickel plating
- Ground spring: stainless steel, gold plating
- Hardware: 300 series stainless steel, passivated
- Encapsulant: epoxy resin Hysol EE4215

PERFORMANCE SPECIFICATIONS

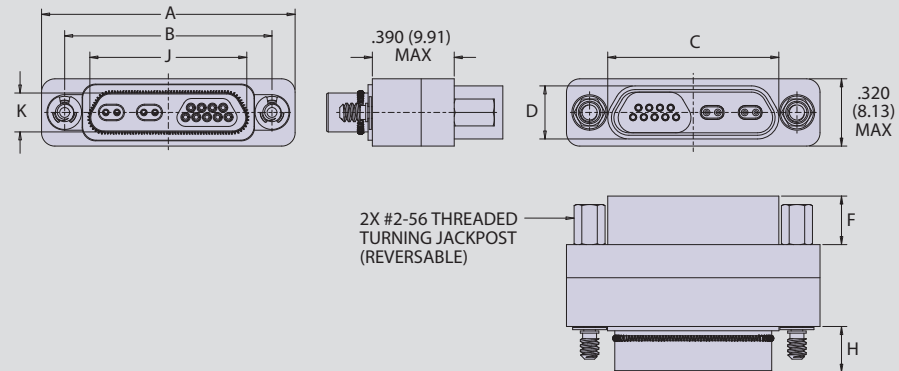
- Current rating: 3 amp
- DWV: 600 VAC sea level
- Insulation resistance: 5000 megohms minimum
- Operating temperature: -55°C to 150°C
- Mating force (contact V): (5 ounces) x (# of contacts)
- Mating force (contact M): (10 ounces) x (# of contacts)
- Electrical performance IAW Glenair specification GT-19-230
- Interface dimensions IAW MIL-DTL-83513

NOTES

1. Refer to GHS4-M-1000 for insert arrangement details on page 90.

PART NUMBER DEVELOPMENT

| | | | |
|---|---|-------------|-------------|
| Sample Part Number | GVLM2L | -2-0 | USP1 |
| Series | GVLM2L = VersaLink Micro-D, Nickel Plating, LCP Insulator | | |
| Contact Layout (V-M)¹ | 1-0, 1-9, 2-0, 2-9, 2-15, 2-21, 3-9, 4-0, 4-15, 4-31, 8-9, 10-0 | | |
| Connector Style² | USP1 = SavCon® | | |



UNISAVER DIMENSIONS

| LAYOUT | A MAX | B±.003 | C MAX | D MAX | F±.003 | H ±.003 | J MAX | K MAX |
|--------|------------------|------------------|------------------|----------------|----------------|----------------|------------------|----------------|
| 1-0 | 0.785 (19.94) | 0.565 (14.35) | .400 (10.16) | .250 (6.35) | .225 (5.72) | .213 (5.41) | .333 (8.46) | .184 (4.67) |
| 1-9 | 1.085 (27.56) | 0.865 (21.97) | .701 (17.81) | .250 (6.35) | .225 (5.72) | .213 (5.41) | .633 (16.08) | .184 (4.67) |
| 2-0 | 0.935 (23.75) | 0.715 (18.16) | .551 (14.00) | .250 (6.35) | .225 (5.72) | .213 (5.41) | .183 (4.65) | .184 (4.67) |
| 2-9 | 1.185 (30.10) | 0.965 (24.51) | .801 (20.35) | .250 (6.35) | .225 (5.72) | .213 (5.41) | .733 (18.62) | .184 (4.67) |
| 2-15 | 1.335 (33.91) | 1.115 (28.32) | .951 (24.16) | .250 (6.35) | .225 (5.72) | .213 (5.41) | .883 (22.43) | .184 (4.67) |
| 2-21 | 1.485 (37.72) | 1.265 (32.13) | 1.101 (27.97) | .250 (6.35) | .225 (5.72) | .213 (5.41) | 1.033 (26.24) | .184 (4.67) |
| 3-9 | 1.485 (37.72) | 1.265 (32.13) | 1.101 (27.97) | .250 (6.35) | .225 (5.72) | .213 (5.41) | 1.033 (26.24) | .184 (4.67) |
| 4-0 | 1.185 (30.10) | 0.965 (24.51) | .801 (20.35) | .250 (6.35) | .225 (5.72) | .213 (5.41) | .733 (18.62) | .184 (4.67) |
| 4-15 | 1.835 (46.61) | 1.615 (41.02) | 1.450 (36.83) | .250 (6.35) | .225 (5.72) | .213 (5.41) | 1.384 (35.15) | .184 (4.67) |
| 4-31 | 2.235 (56.77) | 2.015 (51.18) | 1.850 (46.99) | .250 (6.35) | .225 (5.72) | .213 (5.41) | 1.784 (45.31) | .184 (4.67) |
| 8-9 | 2.235 (56.77) | 2.015 (51.18) | 1.850 (46.99) | .250 (6.35) | .225 (5.72) | .213 (5.41) | 1.784 (45.31) | .184 (4.67) |
| 10-0 | 2.235 (56.77) | 2.015 (51.18) | 1.850 (46.99) | .250 (6.35) | .225 (5.72) | .213 (5.41) | 1.784 (45.31) | .184 (4.67) |

INSERT ARRANGEMENTS

| Insert Arrangements | No. of Contacts | | Insert Arrangements | No. of Contacts | |
|---------------------|-----------------|--------------|---------------------|-----------------|--------------|
| | VersaLink (V) | TwistPin (M) | | VersaLink (V) | TwistPin (M) |
| 1-0 | 1 | 0 | 2-21 | 2 | 21 |
| 2-0 | 2 | 0 | 3-9 | 3 | 9 |
| 1-9 | 1 | 9 | 4-15 | 4 | 15 |
| 2-9 | 2 | 9 | 4-31 | 4 | 31 |
| 4-0 | 4 | 0 | 8-9 | 8 | 9 |
| 2-15 | 2 | 15 | 10-0 | 10 | 0 |