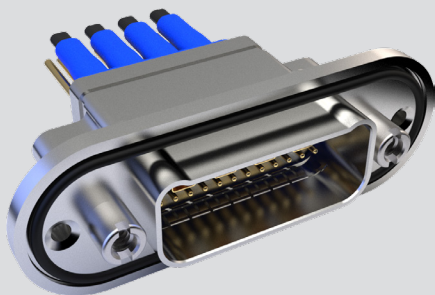


"ZERO-CROSSTALK" Series 794 VersaLink™ Connectors



794-004 Rear Panel Mount, Pin Contact Receptacle



MATERIALS AND FINISHES

- 853-045 VersaLink Module
- Contact: Copper Alloy/gold
- Insulator: rigid dielectric/N.A.
- Shield: copper alloy/gold
- 850-094 #22HD Contact
- Contacts: copper alloy 50 microinches gold over nickel
- Shell: aluminum alloy 6061
- Insulators: high-grade rigid dielectric
- Grommet: fluorosilicone blend elastomer
- O-ring, non-conductive: fluorosilicone blend elastomer
- O-ring, conductive: silver-plated aluminum-filled fluorosilicone
- EMI spring: beryllium copper nickel
- Retention clips: beryllium copper
- Hardware: 300 series stainless steel passivated
- Potting compound: epoxy

PERFORMANCE SPECIFICATIONS

- Operating temperature: -65°C to 200°C

NOTES

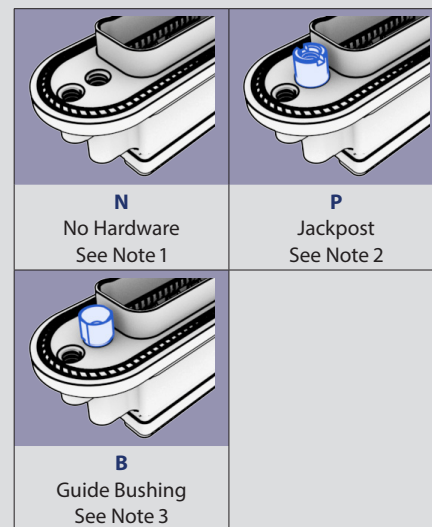
1. Refer to 799-184 for insert arrangements on page 48
2. Refer to Modification Code 1279 for polarizing key options on page 49.
3. Refer to Series 794 material & finish for unshielded wire layouts on page 50.
4. "K" dimension N/A when "S" backshell geometry is selected.
5. Glenair strongly recommends using 799-225 on page 77 or equivalent backshell.
6. Contacts are ordered separately. VersaLink contacts may be ordered pre-terminated via 8574-0001, or contact the factory for complete cable assemblies

PART NUMBER DEVELOPMENT								
Sample Part Number	794-004	A	G-4V12	M	P	F	C	-A
Series	794-004 = Rear Panel Mount Receptacle							
Contacts	A = Pin, Less Contacts							
Shell Size-Insert Arrangement	See Insert Arrangement Table							
Shell Finish	M = Electroless Nickel MT = Nickel Teflon							
Hardware Option	N = No Hardware P = Jackpost B = Guide Bushing							
O-ring Options	C = Conductive S = Metal EMI spring				F = Fluorosilicone N = None			
Backshell Geometry	C = Clam Shell S = Single Piece (Screw Mount)							
Optional Shell Keying	A, B, C, D, E, F, G, H, J, K, L, M; Omit for none (see mod code 1279)							

INSERT ARRANGEMENTS

Shell Size-Insert Arrangement	No. of Contacts	
	VersaLink	22HD
A-1V	1	0
B-2V	2	0
B-1V4	1	4
C-2V2	2	2
D-2V4	2	4
E-3V4	3	4
E-2V6	2	6
F-4V	4	0
G-4V12	4	12
H-6V16	6	16
J-6V	6	0
K-8V	8	0
L-7V20	7	20
P-4V	4	0
Q-8V8	8	0
R-10V	10	0
R-8V16	8	16
S-14V	14	0
T-18V	16	0
U-36V	36	0

HARDWARE



1. Thread size is #6-32 for shell sizes A,B,C,D,E,F,G,J,K
Thread size is #8-32 for shell sizes H & L
Thread size is #10-32 for shell sizes P,Q,R,S,T,U
2. Thread size is #2-56 for shell sizes A,B,C,D,E,F,G,J,K
Thread size is #4-40 for shell sizes H & L
Thread size is #8-32 for shell sizes P,Q,R,S,T,U
3. Connector supplied with non-removable guide bushing

SERIES 794 VERSALINK CONNECTORS

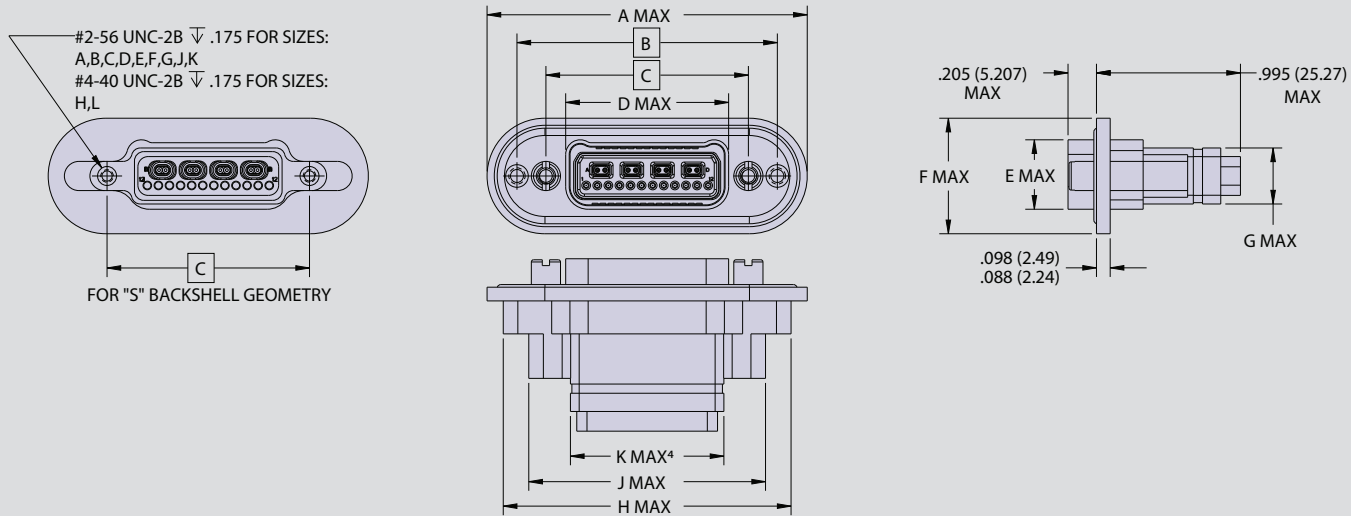
"ZERO-CROSSTALK" Series 794 VersaLink™ Connectors



794-004 Rear Panel Mount, Pin Contact Receptacle

SERIES 794 VERSALINK CONNECTORS

794-004 VERSALINK REAR PANEL MOUNT RECEPTACLE PIN CABLE CONNECTOR



DIMENSIONS

SHELL SIZE	A MAX	B BSC	C BSC	D MAX	E MAX	F MAX	G MAX	H MAX	J MAX	K MAX ⁴
A	1.565 (39.75)	1.150 (29.21)	0.750 (19.05)	0.490 (12.45)	0.364 (9.25)	0.710 (18.03)	0.310 (7.87)	1.345 (34.16)	0.960 (24.38)	0.390 (9.91)
B	1.715 (43.56)	1.300 (33.02)	0.900 (22.86)	0.640 (16.26)	0.364 (9.25)	0.710 (18.03)	0.310 (7.87)	1.495 (37.97)	1.110 (28.19)	0.540 (13.72)
C	1.865 (47.37)	1.450 (36.83)	1.050 (26.67)	0.790 (20.07)	0.364 (9.25)	0.710 (18.03)	0.310 (7.87)	1.645 (41.78)	1.260 (32.00)	0.690 (17.53)
D	1.940 (49.28)	1.525 (38.74)	1.125 (28.58)	0.865 (21.97)	0.364 (9.25)	0.710 (18.03)	0.310 (7.87)	1.745 (44.32)	1.360 (34.54)	0.790 (20.07)
E	2.090 (53.09)	1.675 (42.55)	1.275 (32.39)	1.015 (25.78)	0.364 (9.25)	0.710 (18.03)	0.310 (7.87)	1.895 (48.13)	1.510 (38.35)	0.940 (23.88)
F	2.240 (56.90)	1.825 (46.36)	1.425 (36.20)	1.165 (29.59)	0.364 (9.25)	0.710 (18.03)	0.310 (7.87)	2.045 (51.94)	1.660 (42.16)	1.090 (27.69)
G	2.200 (55.88)	1.785 (45.34)	1.388 (35.26)	1.122 (28.50)	0.452 (11.48)	0.800 (20.32)	0.390 (9.91)	1.983 (50.37)	1.633 (41.48)	1.060 (26.92)
H	2.835 (72.01)	2.375 (60.33)	1.900 (48.26)	1.515 (38.48)	0.470 (11.94)	0.820 (20.83)	0.420 (10.67)	2.590 (65.79)	2.240 (56.90)	1.440 (36.58)
J	2.615 (66.42)	2.200 (55.88)	1.800 (45.72)	1.540 (39.12)	0.364 (9.25)	0.710 (18.03)	0.310 (7.87)	2.395 (60.83)	2.010 (51.05)	1.450 (36.83)
K	2.990 (75.95)	2.575 (65.41)	2.175 (55.25)	1.915 (48.64)	0.364 (9.25)	0.710 (18.03)	0.310 (7.87)	2.795 (70.99)	2.410 (61.21)	1.840 (46.74)
L	3.075 (78.11)	2.611 (66.32)	2.136 (54.25)	1.755 (44.58)	0.470 (11.94)	0.820 (20.83)	0.420 (10.67)	2.826 (71.78)	2.476 (62.89)	1.675 (42.55)
P	2.220 (56.39)	1.699 (43.15)	1.075 (27.31)	1.699 (43.15)	0.578 (14.68)	0.925 (23.50)	0.475 (12.07)	1.965 (49.91)	1.525 (38.74)	1.320 (33.53)
Q	2.595 (65.91)	2.074 (52.68)	1.450 (36.83)	2.074 (52.68)	0.578 (14.68)	0.925 (23.50)	0.475 (12.07)	2.340 (59.44)	1.900 (48.26)	1.695 (43.05)
R	2.970 (75.44)	2.449 (62.20)	1.825 (46.36)	2.449 (62.20)	0.578 (14.68)	0.925 (23.50)	0.475 (12.07)	2.715 (68.96)	2.275 (57.79)	2.070 (52.58)
S	3.345 (84.96)	2.824 (71.73)	2.200 (55.88)	2.824 (71.73)	0.578 (14.68)	0.925 (23.50)	0.475 (12.07)	3.090 (78.49)	2.650 (67.31)	2.445 (62.10)
T	3.720 (94.49)	3.199 (81.25)	2.575 (65.41)	3.199 (81.25)	0.578 (14.68)	0.925 (23.50)	0.475 (12.07)	3.465 (88.01)	3.025 (76.84)	2.820 (71.63)
U	3.720 (94.49)	3.199 (81.25)	2.575 (65.41)	3.199 (81.25)	0.960 (24.38)	1.300 (33.02)	0.850 (21.59)	3.465 (88.01)	3.025 (76.84)	2.820 (71.63)

VERSALINK CONTACTS SOLD SEPARATELY

Pin	853-045
Socket	853-046
Pin Pigtail	8574-0001-AN
Socket Pigtail	8574-0001-BN
Pin-Pin Cable	8574-0001-AA
Pin-Socket Cable	8574-0001-AB
Socket-Socket Cable	8574-0001-BB

SIGNAL AND POWER CONTACTS SOLD SEPARATELY

#22HD Pin	Wire size #22-#28	850-094-1
#22HD Pin	Wire size #26-#30	850-094-2

COMPATIBLE SPEEDLINE CABLE

Twisted Pair	963-068-26
Flat Pair	963-069-26

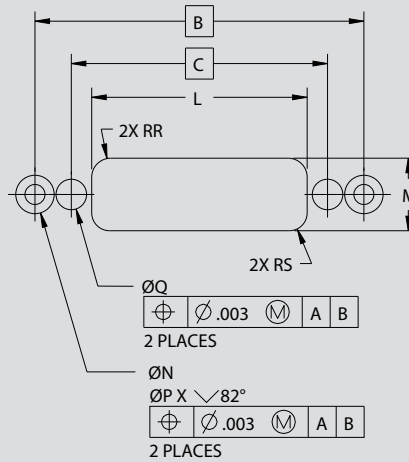
"ZERO-CROSSTALK" Series 794 VersaLink™ Connectors



794-004 Rear Panel Mount, Pin Contact Receptacle

SERIES 794 VERSALINK CONNECTORS

794-004 PANEL CUT-OUT DIMENSIONS



PANEL CUT-OUT DIMENSIONS

SHELL SIZE	B BSC	C BSC	L ±.002 (±.051)	M ±.002 (±.051)	N ±.003 (±.076)	ØP	ØQ ±.003 (±.076)	RR ±.002 (±.051)	RS ±.002 (±.051)
A	1.150 (29.21)	0.750 (19.05)	0.505 (12.83)	0.418 (10.62)	0.120 (3.05)	0.190 (4.83)	0.210 (5.33)	0.110 (2.79)	0.164 (4.17)
B	1.300 (33.02)	0.900 (22.86)	0.655 (16.64)	0.418 (10.62)	0.120 (3.05)	0.190 (4.83)	0.210 (5.33)	0.110 (2.79)	0.164 (4.17)
C	1.450 (36.83)	1.050 (26.67)	0.805 (20.45)	0.418 (10.62)	0.120 (3.05)	0.190 (4.83)	0.210 (5.33)	0.110 (2.79)	0.164 (4.17)
D	1.525 (38.74)	1.125 (28.58)	0.880 (22.35)	0.418 (10.62)	0.120 (3.05)	0.190 (4.83)	0.210 (5.33)	0.110 (2.79)	0.164 (4.17)
E	1.675 (42.55)	1.275 (32.39)	1.030 (26.16)	0.418 (10.62)	0.120 (3.05)	0.190 (4.83)	0.210 (5.33)	0.110 (2.79)	0.164 (4.17)
F	1.825 (46.36)	1.425 (36.20)	1.180 (29.97)	0.418 (10.62)	0.120 (3.05)	0.190 (4.83)	0.210 (5.33)	0.110 (2.79)	0.164 (4.17)
G	1.786 (45.36)	1.388 (35.26)	1.142 (29.01)	0.506 (12.85)	0.120 (3.05)	0.190 (4.83)	0.210 (5.33)	0.110 (2.79)	0.164 (4.17)
H	2.375 (60.33)	1.900 (48.26)	1.531 (38.89)	0.521 (13.23)	0.144 (3.66)	0.239 (6.07)	0.236 (5.99)	0.150 (3.81)	0.139 (3.53)
J	2.200 (55.88)	1.800 (45.72)	1.555 (39.50)	0.418 (10.62)	0.120 (3.05)	0.190 (4.83)	0.210 (5.33)	0.110 (2.79)	0.164 (4.17)
K	2.575 (65.41)	2.175 (55.25)	1.930 (49.02)	0.418 (10.62)	0.120 (3.05)	0.190 (4.83)	0.210 (5.33)	0.110 (2.79)	0.164 (4.17)
L	2.611 (66.32)	2.136 (54.25)	1.767 (44.88)	0.521 (13.23)	0.144 (3.66)	0.239 (6.07)	0.236 (5.99)	0.150 (3.81)	0.139 (3.53)
P	1.699 (43.15)	1.075 (27.31)	0.725 (18.42)	0.623 (15.82)	0.172 (4.37)	0.330 (8.38)	0.262 (6.65)	0.163 (4.14)	0.153 (3.89)
Q	2.074 (52.68)	1.450 (36.83)	1.100 (27.94)	0.623 (15.82)	0.172 (4.37)	0.330 (8.38)	0.262 (6.65)	0.163 (4.14)	0.153 (3.89)
R	2.449 (62.20)	1.825 (46.36)	1.475 (37.47)	0.623 (15.82)	0.172 (4.37)	0.330 (8.38)	0.262 (6.65)	0.163 (4.14)	0.153 (3.89)
S	2.840 (72.14)	2.200 (55.88)	1.850 (46.99)	0.623 (15.82)	0.172 (4.37)	0.330 (8.38)	0.262 (6.65)	0.163 (4.14)	0.153 (3.89)
T	3.199 (81.25)	2.575 (65.41)	2.225 (56.52)	0.623 (15.82)	0.172 (4.37)	0.330 (8.38)	0.262 (6.65)	0.163 (4.14)	0.153 (3.89)
U	3.199 (81.25)	2.575 (65.41)	2.225 (56.52)	0.998 (25.35)	0.172 (4.37)	0.330 (8.38)	0.262 (6.65)	0.163 (4.14)	0.153 (3.89)