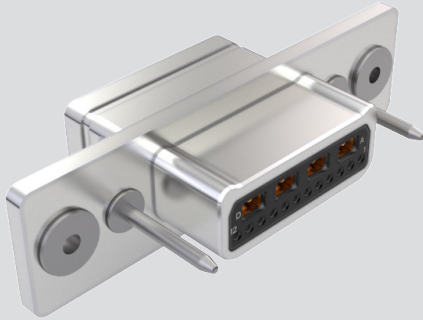


"ZERO-CROSSTALK" Series 794 VersaLink™ Connectors



794-005 VersaLink Float Mount, Socket Contact Plug

SERIES 794 VERSALINK CONNECTORS



MATERIALS AND FINISHES

- 853-046 VersaLink Module
 - » Contact: Copper Alloy/gold
 - » Insulator: rigid dielectric/N.A.
 - » Shield: copper alloy/gold
- 850-095 #22HD Contact
 - » Contacts: copper alloy 50 microinches gold over nickel
 - » Socket contact hood: stainless steel passivated
- Shell: aluminum alloy 6061
- Insulators: high-grade rigid dielectric
- Grommet: fluorosilicone blend elastomer
- EMI spring: beryllium copper nickel
- Retention clips: beryllium copper
- Hardware: 300 series stainless steel passivated
- Potting compound: epoxy

PERFORMANCE SPECIFICATIONS

- Operating temperature: -65°C to +200°C

NOTES

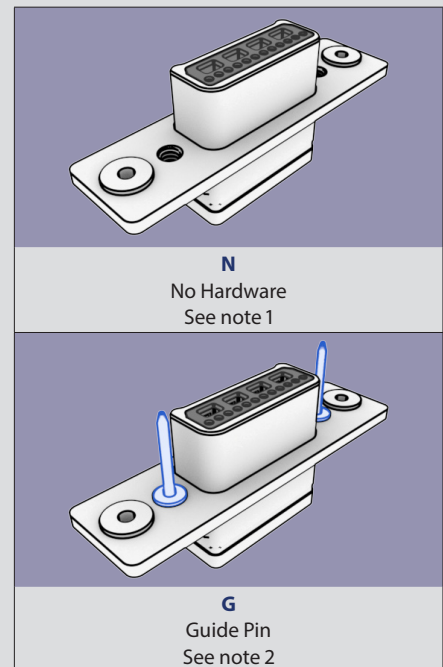
1. Refer to 799-184 for insert arrangements on page 48
2. Refer to Modification Code 1279 for polarizing key options on page 49.
3. Refer to Series 794 material & finish options on page 50.
4. "J" dimension N/A when "S" backshell geometry is selected.
5. Glenair strongly recommends using 799-225 on page 77 or equivalent backshell.
6. Contacts are ordered separately. VersaLink contacts may be ordered pre-terminated via 8574-001, or contact the factory for complete cable assemblies

| PART NUMBER DEVELOPMENT | | | | | | | |
|-------------------------------|---|---|--------|---|---|---|----|
| Sample Part Number | 794-005 | B | G-4V12 | M | N | C | -A |
| Series | 794-005 = Rear Panel Mount Receptacle | | | | | | |
| Contacts | B = Socket, Less Contacts | | | | | | |
| Shell Size-Insert Arrangement | See Insert Arrangement Table | | | | | | |
| Shell Finish | M = Electroless Nickel MT = Nickel Teflon | | | | | | |
| Hardware Option | N = No Hardware G = Guide Pin | | | | | | |
| Backshell Geometry | C = Clam Shell S = Single Piece (Screw Mount) | | | | | | |
| Optional Shell Keying | A, B, C, D, E, F, G, H, J, K, L, M; Omit for none (see mod code 1279) | | | | | | |

INSERT ARRANGEMENTS

| Shell Size-Insert Arrangement | No. of Contacts | |
|-------------------------------|-----------------|------|
| | VersaLink | 22HD |
| A-1V | 1 | 0 |
| B-2V | 2 | 0 |
| B-1V4 | 1 | 4 |
| C-2V2 | 2 | 2 |
| D-2V4 | 2 | 4 |
| E-3V4 | 3 | 4 |
| E-2V6 | 2 | 6 |
| F-4V | 4 | 0 |
| G-4V12 | 4 | 12 |
| H-6V16 | 6 | 16 |
| J-6V | 6 | 0 |
| K-8V | 8 | 0 |
| L-7V20 | 7 | 20 |
| P-4V | 4 | 0 |
| Q-8V8 | 8 | 0 |
| R-10V | 10 | 0 |
| R-8V16 | 8 | 16 |
| S-14V | 14 | 0 |
| T-18V | 16 | 0 |
| U-36V | 36 | 0 |

HARDWARE



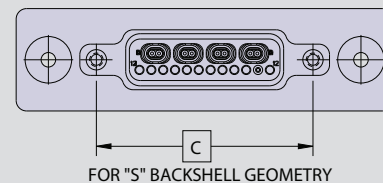
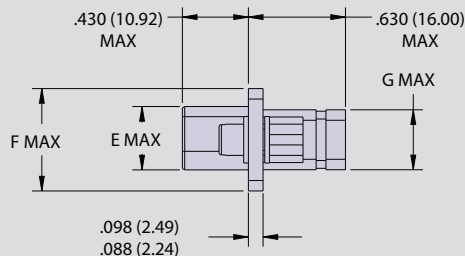
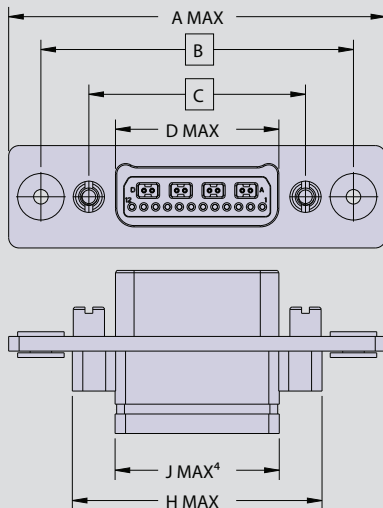
1. Thread size is #6-32 for shell sizes A,B,C,D,E,F,G,J,K
Thread size is #8-32 for shell sizes H & L
Thread size is #10-32 for shell sizes P,Q,R,S,T,U
2. Connector supplied with non-removable guide pin

"ZERO-CROSSTALK" Series 794 VersaLink™ Connectors



794-005 VersaLink Float Mount, Socket Contact Plug

794-005 VERSALINK FLOAT MOUNT SOCKET CABLE PLUG CONNECTOR - SHELL SIZE A THRU L



SIZES A THRU L FOR THE FLOAT ACCOMODATE UP TO .040 (1.02) OF FLOAT IN ALL DIRECTIONS

SIZES P THRU U FOR THE FLOAT ACCOMODATE UP TO .050 (1.27) OF FLOAT IN ALL DIRECTIONS

| DIMENSIONS | | | | | | | | | |
|------------|---------------|---------------|---------------|---------------|---------------|---------------|---------------|---------------|--------------------|
| SHELL SIZE | A MAX | B BSC | C BSC | D MAX | E MAX | F MAX | G MAX | H MAX | J MAX ⁴ |
| A | 1.785 (45.34) | 1.365 (34.67) | 0.750 (19.05) | 0.415 (10.54) | 0.320 (8.13) | 0.568 (14.43) | 0.310 (7.87) | 0.965 (24.51) | 0.760 (19.30) |
| B | 1.935 (49.15) | 1.515 (38.48) | 0.900 (22.86) | 0.565 (14.35) | 0.320 (8.13) | 0.568 (14.43) | 0.310 (7.87) | 1.115 (28.32) | 0.910 (23.11) |
| C | 2.085 (52.96) | 1.665 (42.29) | 1.050 (26.67) | 0.715 (18.16) | 0.320 (8.13) | 0.568 (14.43) | 0.310 (7.87) | 1.265 (32.13) | 1.060 (26.92) |
| D | 2.160 (54.86) | 1.740 (44.20) | 1.125 (28.58) | 0.790 (20.07) | 0.320 (8.13) | 0.568 (14.43) | 0.310 (7.87) | 1.340 (34.04) | 1.160 (29.46) |
| E | 2.310 (58.67) | 1.890 (48.01) | 1.275 (32.39) | 0.940 (23.88) | 0.320 (8.13) | 0.568 (14.43) | 0.310 (7.87) | 1.490 (37.85) | 1.310 (33.27) |
| F | 2.460 (62.48) | 2.040 (51.82) | 1.425 (36.20) | 1.090 (27.69) | 0.320 (8.13) | 0.568 (14.43) | 0.310 (7.87) | 1.640 (41.66) | 1.460 (37.08) |
| G | 2.421 (61.49) | 2.003 (50.88) | 1.388 (35.26) | 1.057 (26.85) | 0.416 (10.57) | 0.656 (16.66) | 0.390 (9.91) | 1.615 (41.02) | 1.410 (35.81) |
| H | 3.010 (76.45) | 2.560 (65.02) | 1.900 (48.26) | 1.442 (36.63) | 0.430 (10.92) | 0.674 (17.12) | 0.420 (10.67) | 2.130 (54.10) | 2.045 (51.94) |
| J | 2.835 (72.01) | 2.415 (61.34) | 1.800 (45.72) | 1.465 (37.21) | 0.320 (8.13) | 0.568 (14.43) | 0.310 (7.87) | 2.015 (51.18) | 1.810 (45.97) |
| K | 3.210 (81.53) | 2.790 (70.87) | 2.175 (55.25) | 1.840 (46.74) | 0.320 (8.13) | 0.568 (14.43) | 0.310 (7.87) | 2.390 (60.71) | 2.210 (56.13) |
| L | 3.246 (82.45) | 2.796 (71.02) | 2.136 (54.25) | 1.678 (42.62) | 0.430 (10.92) | 0.674 (17.12) | 0.420 (10.67) | 2.366 (60.10) | 2.281 (57.94) |
| P | 2.317 (58.85) | 1.815 (46.10) | 1.075 (27.31) | 0.615 (15.62) | 0.513 (13.03) | 0.925 (23.50) | 0.475 (12.07) | 1.320 (33.53) | 0.610 (15.49) |
| Q | 2.692 (68.38) | 2.190 (55.63) | 1.450 (36.83) | 0.990 (25.15) | 0.513 (13.03) | 0.925 (23.50) | 0.475 (12.07) | 1.695 (43.05) | 0.985 (25.02) |
| R | 3.067 (77.90) | 2.565 (65.15) | 1.825 (46.36) | 1.365 (34.67) | 0.513 (13.03) | 0.925 (23.50) | 0.475 (12.07) | 2.070 (52.58) | 1.360 (34.54) |
| S | 3.442 (87.43) | 2.940 (74.68) | 2.200 (55.88) | 1.740 (44.20) | 0.513 (13.03) | 0.925 (23.50) | 0.475 (12.07) | 2.445 (62.10) | 1.735 (44.07) |
| T | 3.817 (96.95) | 3.315 (84.20) | 2.575 (65.41) | 2.115 (53.72) | 0.513 (13.03) | 0.925 (23.50) | 0.475 (12.07) | 2.820 (71.63) | 2.100 (53.34) |
| U | 3.817 (96.95) | 3.315 (84.20) | 2.575 (65.41) | 2.115 (53.72) | 0.888 (22.56) | 1.300 (33.02) | 0.850 (21.59) | 2.820 (71.63) | 2.100 (53.34) |

VERSALINK CONTACTS SOLD SEPARATELY

| | |
|---------------------|---------------------|
| Pin | 853-045 |
| Socket | 853-046 |
| Pin Pigtail | 8574-0001-AN |
| Socket Pigtail | 8574-0001-BN |
| Pin-Pin Cable | 8574-0001-AA |
| Pin-Socket Cable | 8574-0001-AB |
| Socket-Socket Cable | 8574-0001-BB |

SIGNAL AND POWER CONTACTS SOLD SEPARATELY

| | | |
|--------------|-------------------|-----------|
| #22HD Socket | Wire size #22-#28 | 850-095-1 |
| #22HD Socket | Wire size #26-#30 | 850-095-2 |

COMPATIBLE SPEEDLINE CABLE

| | |
|--------------|-------------------|
| Twisted Pair | 963-068-26 |
| Flat Pair | 963-069-26 |

SERIES 794 VERSALINK CONNECTORS