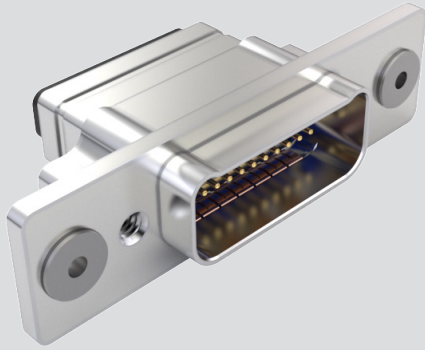


"ZERO-CROSSTALK" Series 794 VersaLink™ Connectors



794-006 VersaLink Float Mount, Pin Contact Receptacle

SERIES 794 VERSALINK CONNECTORS



PART NUMBER DEVELOPMENT							
Sample Part Number	794-006	A	G-4V12	M	N	C	-A
Series	794-006 = Float Mount Receptacle						
Contacts	A = Pin, Less Contacts						
Shell Size-Insert Arrangement	See Insert Arrangement Table 799-184						
Shell Finish	M = Electroless Nickel MT = Nickel Teflon						
Hardware Option	N = No Hardware B = Guide Bushing						
Backshell Geometry	C = Clam Shell S = Single Piece (Screw Mount)						
Optional Shell Keying	A, B, C, D, E, F, G, H, J, K, L, M; Omit for none (see mod code 1279)						

MATERIALS AND FINISHES

- 853-045 VersaLink Module
- Contact: Copper Alloy/gold
- Insulator: rigid dielectric/N.A.
- Shield: copper alloy/gold
- 850-094 #22HD Contact
- Contacts: copper alloy 50 microinches gold over nickel
- Shell: aluminum alloy 6061
- Insulators: high-grade rigid dielectric
- Grommet: fluorosilicone blend elastomer
- EMI spring: beryllium copper nickel
- Retention clips: beryllium copper
- Hardware: 300 series stainless steel passivated
- Potting compound: epoxy

PERFORMANCE SPECIFICATIONS

- Operating temperature: -65°C to 200°C

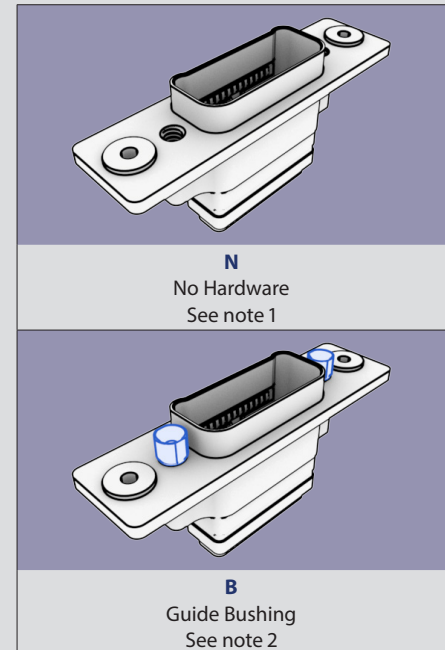
NOTES

1. Refer to 799-184 for insert arrangements on page 48
2. Refer to Modification Code 1279 for polarizing key options on page 49.
3. Refer to Series 794 material & finish for unshielded wire layouts on page 50.
4. "J" dimension N/A when "S" backshell geometry is selected.
5. Glenair strongly recommends using 799-225 on page 77 or equivalent backshell.
6. Contacts are ordered separately. VersaLink contacts may be ordered pre-terminated via 8574-0001, or contact the factory for complete cable assemblies

INSERT ARRANGEMENTS

Shell Size-Insert Arrangement	No. of Contacts	
	VersaLink	22HD
A-1V	1	0
B-2V	2	0
B-1V4	1	4
C-2V2	2	2
D-2V4	2	4
E-3V4	3	4
E-2V6	2	6
F-4V	4	0
G-4V12	4	12
H-6V16	6	16
J-6V	6	0
K-8V	8	0
L-7V20	7	20
P-4V	4	0
Q-8V8	8	0
R-10V	10	0
R-8V16	8	16
S-14V	14	0
T-18V	16	0
U-36V	36	0

HARDWARE



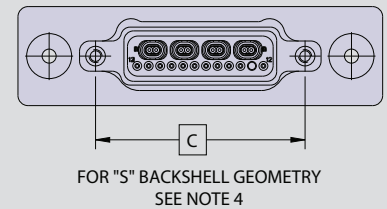
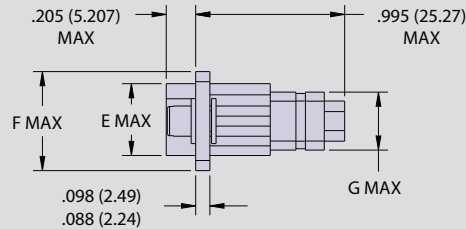
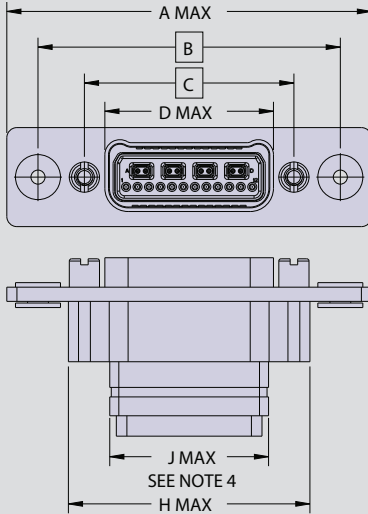
1. Thread size is #6-32 for shell sizes A, B, C, D, E, F, G, J, K
Thread size is #8-32 for shell sizes H & L
Thread size is #10-32 for shell sizes P, Q, R, S, T, U
2. Connector supplied with non-removable guide pin

"ZERO-CROSSTALK" Series 794 VersaLink™ Connectors



794-006 VersaLink Float Mount, Pin Contact Receptacle

794-006 VERSALINK FLOAT MOUNT, PIN RECEPTACLE CONNECTOR - SHELL SIZE A THRU L



SIZES A THRU L FOR THE FLOAT ACCOMODATE UP TO .040 (1.02) BETWEEN THE CONNECTOR AND THE HARDWARE

SIZES P THRU U FOR THE FLOAT ACCOMODATE UP TO .050 (1.27) BETWEEN THE CONNECTOR AND THE HARDWARE

DIMENSIONS

SIZE	A MAX	B BSC	C BSC	D MAX	E MAX	F MAX	G MAX	H MAX	J MAX ⁴
A	1.785 (45.34)	1.365 (34.67)	0.750 (19.05)	0.490 (12.45)	0.400 (10.16)	0.568 (14.43)	0.310 (7.87)	0.965 (24.51)	0.390 (9.91)
B	1.935 (49.15)	1.515 (38.48)	0.900 (22.86)	0.640 (16.26)	0.400 (10.16)	0.568 (14.43)	0.310 (7.87)	1.115 (28.32)	0.540 (13.72)
C	2.085 (52.96)	1.665 (42.29)	1.050 (26.67)	0.790 (20.07)	0.400 (10.16)	0.568 (14.43)	0.310 (7.87)	1.265 (32.13)	0.690 (17.53)
D	2.160 (54.86)	1.740 (44.20)	1.125 (28.58)	0.865 (21.97)	0.400 (10.16)	0.568 (14.43)	0.310 (7.87)	1.340 (34.04)	0.790 (20.07)
E	2.310 (58.67)	1.890 (48.01)	1.275 (32.39)	1.015 (25.78)	0.400 (10.16)	0.568 (14.43)	0.310 (7.87)	1.490 (37.85)	0.940 (23.88)
F	2.460 (62.48)	2.040 (51.82)	1.425 (36.20)	1.165 (29.59)	0.400 (10.16)	0.568 (14.43)	0.310 (7.87)	1.640 (41.66)	1.090 (27.69)
G	2.421 (61.49)	2.003 (50.88)	1.388 (35.26)	1.122 (28.50)	0.490 (12.45)	0.656 (16.66)	0.390 (9.91)	1.615 (41.02)	1.060 (26.92)
H	3.010 (76.45)	2.560 (65.02)	1.900 (48.26)	1.516 (38.51)	0.510 (12.95)	0.674 (17.12)	0.420 (10.67)	2.130 (54.10)	1.440 (36.58)
J	2.835 (72.01)	2.415 (61.34)	1.800 (45.72)	1.540 (39.12)	0.400 (10.16)	0.568 (14.43)	0.310 (7.87)	2.015 (51.18)	1.450 (36.83)
K	3.210 (81.53)	2.790 (70.87)	2.175 (55.25)	1.915 (48.64)	0.400 (10.16)	0.568 (14.43)	0.310 (7.87)	2.390 (60.71)	1.840 (46.74)
L	3.246 (82.45)	2.796 (71.02)	2.136 (54.25)	1.752 (44.50)	0.510 (12.95)	0.674 (17.12)	0.420 (10.67)	2.366 (60.10)	1.675 (42.55)
P	2.317 (58.85)	1.815 (46.10)	1.075 (27.31)	0.690 (17.53)	0.578 (14.68)	0.754 (19.15)	0.475 (12.07)	1.320 (33.53)	0.610 (15.49)
Q	2.692 (68.38)	2.190 (55.63)	1.450 (36.83)	1.065 (27.05)	0.578 (14.68)	0.754 (19.15)	0.475 (12.07)	1.695 (43.05)	0.985 (25.02)
R	3.067 (77.90)	2.565 (65.15)	1.825 (46.36)	1.440 (36.58)	0.578 (14.68)	0.754 (19.15)	0.475 (12.07)	2.070 (52.58)	1.360 (34.54)
S	3.442 (87.43)	2.940 (74.68)	2.200 (55.88)	1.815 (46.10)	0.578 (14.68)	0.754 (19.15)	0.475 (12.07)	2.445 (62.10)	1.735 (44.07)
T	3.817 (96.95)	3.315 (84.20)	2.575 (65.41)	2.190 (55.63)	0.578 (14.68)	0.754 (19.15)	0.475 (12.07)	2.820 (71.63)	2.100 (53.34)
U	3.817 (96.95)	3.315 (84.20)	2.575 (65.41)	2.190 (55.63)	0.960 (24.38)	1.129 (28.68)	0.850 (21.59)	2.820 (71.63)	2.100 (53.34)

VERSALINK CONTACTS SOLD SEPARATELY

Pin	853-045
Socket	853-046
Pin Pigtail	8574-0001-AN
Socket Pigtail	8574-0001-BN
Pin-Pin Cable	8574-0001-AA
Pin-Socket Cable	8574-0001-AB
Socket-Socket Cable	8574-0001-BB

SIGNAL AND POWER CONTACTS SOLD SEPARATELY

#22HD Pin	Wire size #22-#28	850-094-1
#22HD Pin	Wire size #26-#30	850-094-2

COMPATIBLE SPEEDLINE CABLE

Twisted Pair	963-068-26
Flat Pair	963-069-26

SERIES 794 VERSALINK CONNECTORS