

# "ZERO-CROSSTALK" Series 806 Mil-Aero VersaLink™ Connectors



## 440VS232 Strain Relief Cable Clamp Backshell, High-Speed Contacts



### ADAPTER CODE V

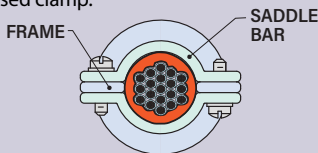
- This accessory fits Glenair Series 806 Mil-Aero VersaLink connectors

### FEATURES

- Expanded clearance for VersaLink contacts and grommet follower
- EMI/RFI
- Band strap shield termination
- Shield termination slot option
- Self-locking spin coupling
- Specifications
- Operating temperature:  
codes ME, MT and Z1: -65°C to +200°C  
codes ZR, NF, TZ: -65°C to +175°C
- Shell conductivity:  
aluminum versions: 2.5 milliohms max.  
Stainless steel: 5 milliohms max.
- Salt spray (corrosion)  
Code ME: 96 hours  
Code NF, ZR, MT, Z1, TZ: 1000 hours
- Vibration: SAE AS85049 Category 3B
- Shock: SAE AS85049 Category 3B
- Construction
- Coupling nut, saddles, clamp body: aluminum alloy or 300 series stainless steel. See material/finish options in How to Order table.
- Hardware: CRES/passivate or Cad/O.D. over nickel
- Anti-decoupling device: corrosion-resistant material

### APPLICATION NOTE

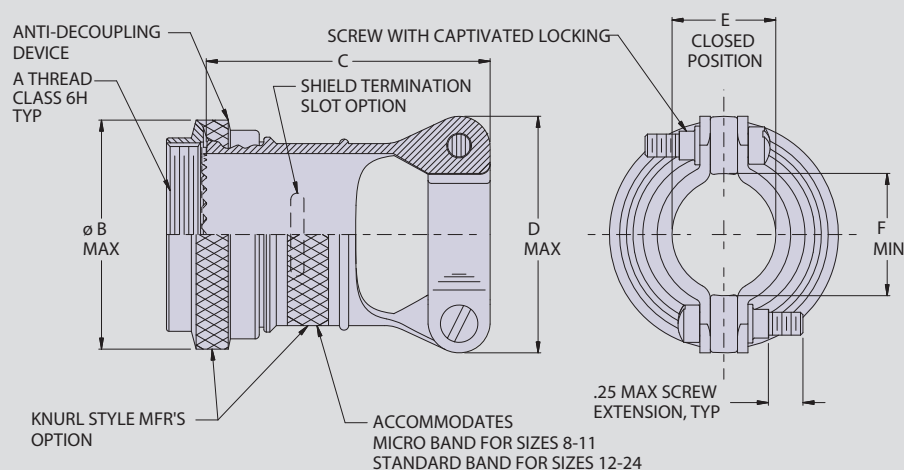
- This backshell has a full radius saddle clamp. This type of strain relief is designed to be fully closed. Saddle bars should be bottomed onto frame. Build up cable diameter with tape or sleeve to meet the diameter of the fully closed clamp.



**FULL RADIUS SADDLE CLAMP**  
SADDLE BARS SHOULD BE FULLY BOTTOMED ONTO FRAME.

**Strain relief cable clamp adapter. Self-locking.** Threaded coupling adapter with anti-decoupling ratchet prevents loosening under vibration. Accommodates Series 806 connectors with high-speed contacts and cable sealing boots. Aluminum or stainless steel.

HOW TO ORDER					
Sample Part Number	440VS232	NF	16	S	K
Product	440VS232 = Series 806, Straight Backshell				
Material/ Finish	ME = Aluminum, Electroless Nickel MT = Aluminum, Ni/PTFE NF = Aluminum, Olive Drab Cadmium ZR = Aluminum, Black Zinc-Nickel Z1 = Stainless Steel, Passivated				
Shell Size	08 09 10 11 12 14 16 18 20 22 24				
Shield Termination Slot	S = Shield Termination Slot				
Precoiled Band	K = Percoiled Band (Omit for None)				



DIMENSIONS						
Shell Size	A Thread ISO Metric	B Dia Max	C	D Max	E +0.031 (0.79)	F Min
08	M10 x 1	0.642 (16.31)	1.23 (31.24)	0.93 (23.62)	0.205 (5.21)	0.18 (4.57)
09	M12 x 1	0.735 (18.67)	1.28 (32.51)	0.98 (24.89)	0.219 (5.56)	0.22 (5.59)
10	M14 x 1	0.786 (19.96)	1.28 (32.51)	1.02 (25.91)	0.244 (6.20)	0.25 (6.35)
11	M15 x 1	0.830 (21.08)	1.35 (34.29)	1.05 (26.67)	0.264 (6.71)	0.27 (6.86)
12	M17 x 1	0.911 (23.14)	1.35 (34.29)	1.12 (28.45)	0.312 (7.92)	0.32 (8.13)
14	M19 x 1	1.002 (25.45)	1.41 (35.81)	1.20 (30.48)	0.344 (8.74)	0.35 (8.89)
16	M22 x 1	1.149 (29.18)	1.47 (37.34)	1.30 (33.02)	0.460 (11.68)	0.47 (11.94)
18	M25 x 1	1.264 (32.11)	1.53 (38.86)	1.44 (36.58)	0.545 (13.84)	0.55 (13.97)
20	M28 x 1	1.394 (35.41)	1.66 (42.16)	1.56 (39.62)	0.615 (15.62)	0.62 (15.75)
22	M31 x 1	1.513 (38.43)	1.72 (43.69)	1.69 (42.93)	0.698 (17.73)	0.70 (17.78)
24	M34 x 1	1.631 (41.43)	1.78 (45.21)	1.77 (44.96)	0.780 (19.81)	0.78 (19.81)

SERIES 806 VERSALINK CONNECTORS