

# "ZERO-CROSSTALK" Series 806 Mil-Aero VersaLink™ Connectors



## 806-049 VersaLink PCB Jam-Nut Receptacle

SERIES 806 VERSALINK CONNECTORS



PART NUMBER DEVELOPMENT					
Sample Part Number	806-049	-ME	11-4V	S	A
Series / Basic No.	806-049 PCB Jam-Nut Receptacle				
Material / Finish	<b>ME</b> = Aluminum alloy, electroless nickel (96 hour salt spray) <b>MT</b> = Aluminum alloy, nickel-PTFE <b>NF</b> = Aluminum alloy, cad/O.D. over electroless nickel <b>ZR</b> = Aluminum alloy, zinc nickel, black (tri-valent cr) <b>Z1</b> = Aluminum alloy, stainless steel passivated <b>ZL</b> = Aluminum alloy, electro-deposited nickel				
Insert Layout	See Insert Arrangement Table (See page 13–14 for layouts)				
Contact Gender	<b>P</b> = Pin <b>S</b> = Socket				
Polarization	<b>A, B, C, D, E, F</b> ; see Polarization Table				

### MATERIALS / FINISH

- Shell: see part number development
- Pin contact: copper alloy / 50μ gold over nickel
- Socket contact: copper alloy with stainless steel hood (22HD and 20HD) / 50μ gold over nickel, contact hood passivate
- Insulators: high-grade rigid dielectric
- Seals: fluorosilicone/silicone blend
- EMI spring: beryllium copper / nickel
- Shell, coupling nut, jam-nut: aluminum alloy or stainless steel
- Contact retention clip: beryllium copper / nickel
- Anti-decoupling ratchet spring: stainless steel / passivate

### PERFORMANCE SPECIFICATIONS

- Current rating for 20HD and 22HD:  
20 AWG: 7.5 amps  
22 AWG: 5 amps
- DWV:  
20HD: 1800 VAC at sea level  
22HD: 1300 VAC at sea level
- Insulation resistance:  
5000 MΩ min. at ambient temperature  
1000 MΩ min. at elevated temperature
- Operating temperature: -65° to +200° C

### NOTES

1. Integral PCB stand off 4x 4-40 UNC, .156 minimum thread and locating post.
2. Connector is backfilled with epoxy, contacts are non-removeable.
3. Receptacle connector mates with 806-044 of the same arrangement, polarization, and opposite gender.
4. Refer to Refer to Series 806 PCB footprints on page 36
5. Red band indicates full mate.

### INSERT ARRANGEMENT

SHELL SIZE-LAYOUT	NUMBER OF CONTACTS		
	VersaLink	22HD	20HD
8-1V	1		
9-2V	2		
10-2V2	2		2
11-4V <sup>1</sup>	4		
11-2V9 <sup>2</sup>	2	9	
12-4V4	4	4	
14-6V7	6	7	
14-4V15 <sup>3</sup>	4	15	
16-10V4	10	4	
16-8V10	8	10	
18-14V4	14	4	
18-8V31	8	31	
20-18V8	18	8	
22-25V4	25	4	
22-16V19	16	19	
24-32V	32		
24-16V66	16	66	

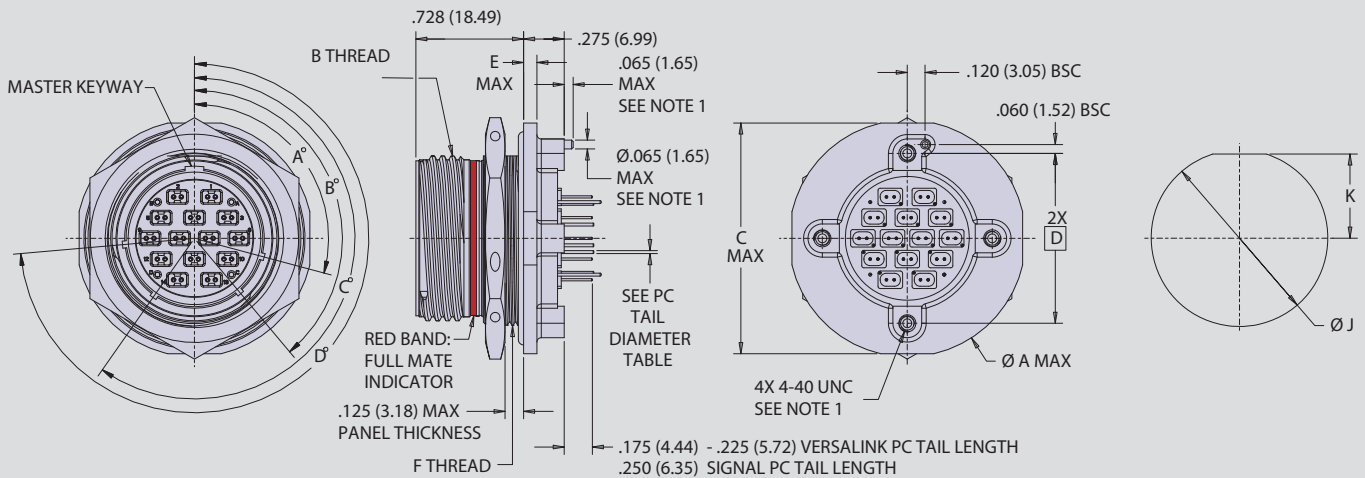
Support for:

1. 40G Ethernet
2. USB 3.1 Gen 2
3. USB 3.2, USB 4, HDMI, DP, DVI Single Link

# "ZERO-CROSSTALK" Series 806 Mil-Aero VersaLink™ Connectors



## 806-049 VersaLink PCB Jam-Nut Receptacle



### DIMENSIONS

SHELL SIZE	ØA MAX	B MATING THREAD	C MAX	D	E MAX	F THREAD
8	0.980 (24.89)	.5000-.067P-.2L-TS-2B	0.920 (23.37)	0.534 (13.56)	0.100 (2.54)	M15 X 1-6g.100R
9	1.040 (26.42)	.5625-.067P-.2L-TS-2B	0.980 (24.89)	0.579 (14.71)	0.100 (2.54)	M16 X 1-6g.100R
10	1.110 (28.19)	.6250-.067P-.2L-TS-2B	1.050 (26.67)	0.679 (17.25)	0.100 (2.54)	M18 X 1-6g.100R
11	1.160 (29.46)	.6875-.067P-.2L-TS-2B	1.110 (28.19)	0.734 (18.64)	0.100 (2.54)	M19 X 1-6g.100R
12	1.230 (31.24)	.7500-.067P-.2L-TS-2B	1.170 (29.72)	0.804 (20.42)	0.100 (2.54)	M21 X 1-6g.100R
14	1.360 (34.54)	.8750-.067P-.2L-TS-2B	1.320 (33.53)	0.891 (22.63)	0.100 (2.54)	M24 X 1-6g.100R
16	1.515 (38.48)	1.0000-.067P-.2L-TS-2B	1.444 (36.68)	1.049 (26.64)	0.100 (2.54)	M27 X 1-6g.100R
18	1.610 (40.89)	1.1250-.067P-.2L-TS-2B	1.570 (39.88)	1.148 (29.16)	0.100 (2.54)	M30 X 1-6g.100R
20	1.850 (46.99)	1.2500-.067P-.2L-TS-2B	1.760 (44.70)	1.252 (31.80)	0.128 (3.25)	M34 X 1-6g.100R
22	2.010 (51.05)	1.3750-.067P-.2L-TS-2B	1.913 (48.59)	1.369 (34.77)	0.128 (3.25)	M37 X 1-6g.100R
24	2.195 (55.75)	1.5000-.067P-.2L-TS-2B	2.070 (52.58)	1.509 (38.33)	0.128 (3.25)	M41 X 1-6g.100R

### POLARIZATION

POS	A	B	C	D
A	105	140	215	265
B	102	170	248	305
C	80	150	230	295
D	68	140	205	275
E	64	155	234	304
F	72	120	200	298

### CUTOUT PANEL DIMENSIONS

SHELL SIZE	ØJ	K
8	0.601 (15.27)	0.256 (6.50)
9	0.640 (16.26)	0.287 (7.29)
10	0.719 (18.26)	0.318 (8.08)
11	0.759 (19.28)	0.350 (8.89)
12	0.837 (21.26)	0.381 (9.68)
14	0.955 (24.26)	0.443 (11.25)
16	1.073 (27.25)	0.505 (12.83)
18	1.192 (30.28)	0.568 (14.43)
20	1.349 (34.26)	0.630 (16.00)
22	1.467 (37.26)	0.693 (17.60)
24	1.624 (41.25)	0.775 (19.69)

### PC TAIL DIAMETERS

CONTACT	PC TAIL DIAMETER
#20	.032 (0.81)
#22	.022 (0.56)
VL SIGNAL	.017 (0.43)
VL GROUND	.021 (0.53)

SERIES 806 VERSALINK CONNECTORS