

"ZERO-CROSSTALK" VersaLink™ Bridge Board Connectors



853-051 Quick Disconnect, Socket Plug



| PART NUMBER DEVELOPMENT | | |
|-------------------------|---|------------------------|
| Sample Part Number | 853-051 | -01 |
| Series | 853-051 = Quick Disconnect, Socket Plug | |
| Dash No | -01 = 963-069-26 cable | -02 = 963-068-26 cable |

| RECOMMENDED CABLES | | | | | | |
|--------------------|------------|-------------------------------|------------|------------------|-----------|-----------------------|
| Dash No | Cable P/N | Cable Construction | Wire Gauge | Max Overall Size | Crimp Die | Assembly Instructions |
| -01 | 963-069-26 | Double Shielded Parallel Pair | 26 | .133 x .083 | 859-205 | AI85153 |
| -02 | 963-068-26 | Double Shielded Twisted Pair | 26 | .133 x .083 | 859-205 | AI85153 |

MATERIALS AND FINISHES

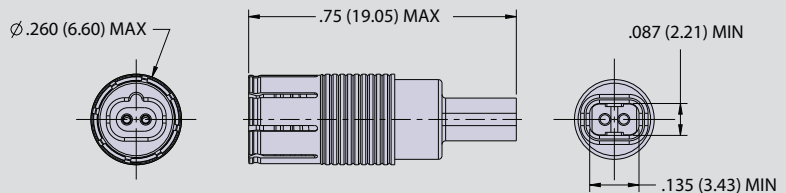
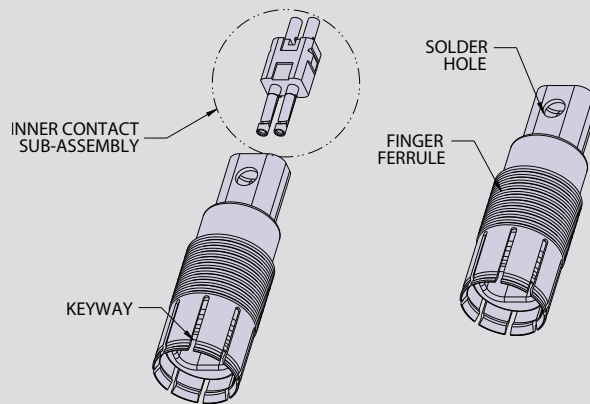
- Contacts: copper alloy/gold
- Insulators: superior rigid dielectric
- Body: copper alloy/gold
- Finger ferrule: copper alloy/electroless nickel
- Spring: stainless steel

PERFORMANCE SPECIFICATIONS

- Operating temperature: -65°C to 150°C
- Mates with 853-052 and 853-054

NOTES

1. Contact factory to inquire about use with other cables
2. Crimp tools:
 - Inner contacts: 809-464
 - Die: 859-205-XX



VERSALINK BRIDGE