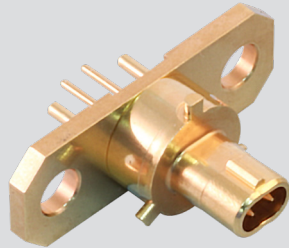


# "ZERO-CROSSTALK" VersaLink™ Bridge Board Connectors



853-065 Bayonet, Straight PCB Mount, Pin Contact Jack



PART NUMBER DEVELOPMENT			
Sample Part Number	853-065	-G	-.140
Series	853-065 = Bayonet, Straight Board Level, Pin Jack		
PC Tail Finish	-S = Solder Dipped in 63/37 Tin-lead -G = Gold Plated		
PC Tail Length	Length in inches -.155, -.140, -.110, -.080		

VERSALINK BRIDGE

## MATERIALS AND FINISHES

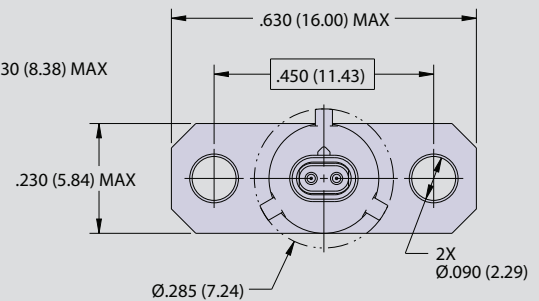
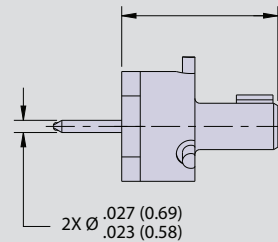
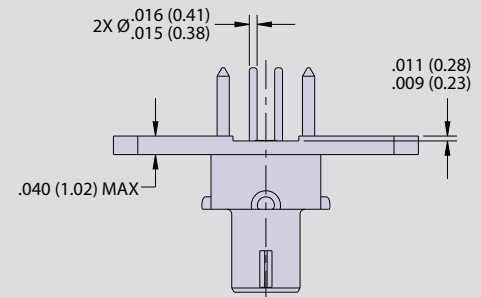
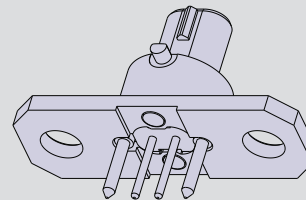
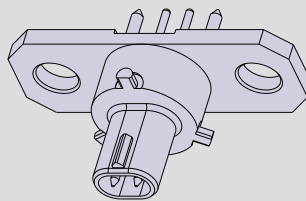
- Contacts: copper alloy/gold
- Insulators: superior rigid dielectric
- Body: copper alloy/gold

## PERFORMANCE SPECIFICATIONS

- Impedance: 100 Ohms
- DWV: 500 Vrms
- IR: 5000 megaOhms min at 200 Vdc
- Operating temperature: -65°C to 150°C
- Mates with 853-064

## NOTES

1. See application note AN0005 for optimal PCB layout



## PCB LAYOUT

