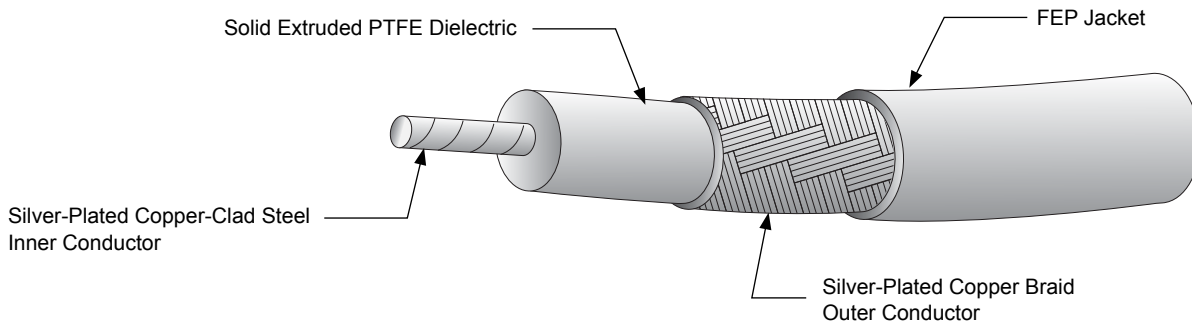




962-002
M17/93 - RG178
General-Duty 50 Ohm Coaxial Cable

962-002 GENERAL-DUTY 50 OHM M17 HIGH-FREQUENCY CABLE WITH EXTENDED TEMPERATURE RANGE



Physical and Mechanical Specifications

Dimensions (Inches)	
Center Conductor	$\varnothing .012 \pm .001$ (7 x .0004) silver plated copper clad steel
Dielectric Core	Solid PTFE extruded to $\varnothing .033 \pm .002$
Outer Conductor	38 AWG silver plated copper braid $\varnothing .054$ Max
Jacket	FEP to $\varnothing .071 \pm .004$
Operating Temperature	-55° C to +200° C

Electrical Specifications

Working Voltage	750 volts RMS (continuous)
Operating Frequency	3 GHz max
Velocity of Propagation	69.5% nominal
DC Resistance (Inner Conductor)	24.45 Ohm per 100 ft (max, at 20° C)
Spark Test	2,000 volts RMS +25%/-0%
DWV	2,000 volts RMS (minimum)
CEV	1,000 volts RMS (minimum)
Impedance	50 ± 2 Ohms

Compatible Contacts



852-008

Size #16 D38999 Sr. I/III/IV Pin

852-016

Size #12 D38999 Sr. II/Mighty Mouse Pin



852-009

Size #16 D38999 Sr. I/III/IV Socket

852-010

Size #16 D38999 Sr. II/Mighty Mouse Socket

852-015

Size #12 D38999 Sr. II/Mighty Mouse Socket

Attenuation

MHz	dB per 100 ft
50	11.6
100	16
400	33
1,000	52
3,000	94

Structural Return Loss

MHz	dB
50	26
100	25
400	22
1,000	19
3,000	14

Notes

Cable identified with manufacturer's name and part number.
 Cable is sold in 1 foot increments. Specify desired length on purchase order.