

# Autoshrink™ D Cold-Action Shrink Boots and Tubing



## 777-005/-006 Lipped, Standard or Short Straight Boot



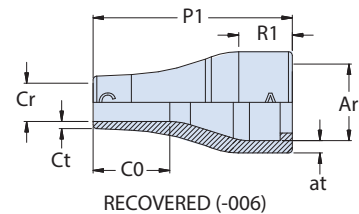
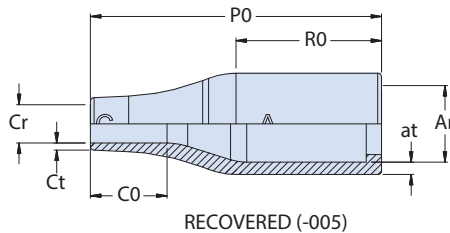
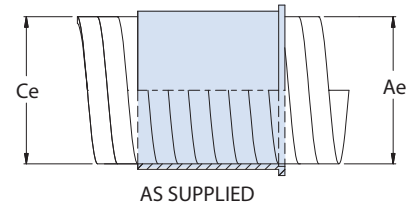
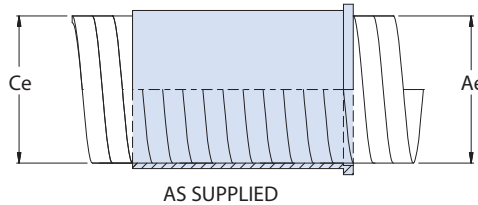
Lipped boots provide mechanical and environmental protection from damage and debris. Boots are made in accordance with AS85049 and available in short and standard length. Select short boots where space is a limited and a lower profile is needed. Autoshrink™ D Boots are RoHS compliant, halogen free, and highly resistant to sunlight and ozone damage. Boots are water-tight when installed with 779-005 adhesive. Lipped boots lock into boot groove located on adapter. Choose boot size based on adapter and cable diameter. 12 color choices available. Service temperature -65°C to 225°C

How to Order					
Sample Part Number	777	-005	S	0	03
Product Series	777 = Autoshrink™				
Basic Number	005 = Lipped boot, no eyelet, Autoshrink™ D 006 = Short lipped boot, no eyelet, Autoshrink™ D				
Angular Function	S = Straight				
Color	See color table				
Boot Size	See dimensions table				

### NOTES

1. Adhesive 779-005 sold separately
2. Number engraved on boot
3. Material:
  - Boot: Duralectric™ D

Color Code	
Code	Color
0	Black
1	Brown
2	Red
3	Orange
4	Yellow
5	Green
6	Blue
7	Violet
8	Gray
9	White
DT	Desert Tan
OG	Dark Olive Green



Dimensions														
BOOT SIZE	GLENAIR US PART MARKING <sup>2</sup>	AS85049 /140 REF	SHELL SIZE	Ae DIA MIN	Ce DIA MIN	Ar DIA MAX	at ±30%	Cr DIA MAX	ct ±20%	CO REF	PO ±10%	P1 ±10%	RO REF	R1 REF
03	S03	01	8-10	.75(19.1)	.75(19.1)	.413(10.5)	.063(1.6)	.197(5.0)	.035(0.9)	.394(10.0)	1.496(38.0)	1.024(26.0)	.748(19.0)	.276(7.0)
04	S04	02	11-16	.75(19.1)	.75(19.1)	.551(14.0)	.071(1.8)	.236(6.0)	.039(1.0)	.630(16.0)	2.165(55.0)	1.693(43.0)	1.181(30.0)	.709(18.0)
05	S05	03	16-17	1.25(31.8)	1.25(31.8)	.709(18.0)	.071(1.8)	.276(7.0)	.047(1.2)	.748(19.0)	2.638(67.0)	1.850(47.0)	1.299(33.0)	.512(13.0)
06	S06	04	17-21	1.25(31.8)	1.25(31.8)	.866(22.0)	.079(2.0)	.335(8.5)	.047(1.2)	.787(20.0)	3.150(80.0)	2.362(60.0)	1.575(40.0)	.787(20.0)
07	S07	05	21-23	1.45(36.8)	1.45(36.8)	1.102(28.0)	.087(2.2)	.394(10.0)	.051(1.3)	1.142(29.0)	3.898(99.0)	3.150(80.0)	2.165(55.0)	1.417(36.0)
08	S08	06	25	2.25(57.2)	2.25(57.2)	1.378(35.0)	.130(3.3)	.591(15.0)	.063(1.6)	1.575(40.0)	5.118(130.0)	4.331(110.0)	1.969(50.0)	1.181(30.0)
09	S09	07		2.75(69.9)	2.75(69.9)	1.752(44.5)	.150(3.8)	.661(16.8)	.079(2.0)	2.283(58.0)	6.693(170.0)	5.910(150.0)	3.543(90.0)	2.760(70.0)
10	S10	08		4.00(101.6)	4.00(101.6)	2.250(57.2)	.160(4.1)	1.06(26.9)	.130(3.3)	2.068(52.5)	7.700(195.6)	N / A	4.005(102.0)	N / A

# SERIES 77

# Autoshrink™ D Cold-Action Shrink Boots and Tubing



## 777-005 Right Angle Lipped Boot



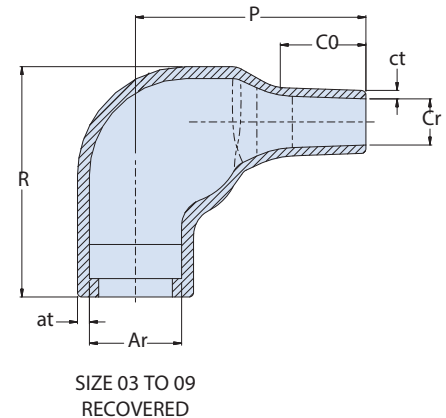
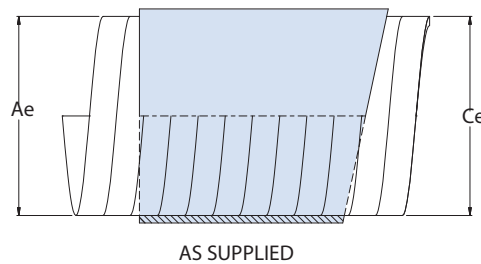
Lipped boots provide mechanical and environmental protection from damage and debris. Boots are made in accordance with AS85049 and fit standard boot adapters for circular connectors. Autoshrink™ D Boots are RoHS compliant, halogen free, and highly resistant to sunlight and ozone damage. Boots are water-tight when installed with 779-005 adhesive. Lipped boots lock into boot groove located on adapter. Choose boot size based on adapter diameter and cable diameter. 12 color choices available. Service temperature -65°C to 225°C

How to Order					
Sample Part Number	777	-005	A	0	03
Product Series	777 = Autoshrink™				
Basic Number	005 = Lipped boot, no eyelet, Autoshrink™ D				
Angular Function	A = 90°				
Color	See color table				
Boot Size	See dimensions table				

### NOTES

1. Adhesive 779-005 sold separately
2. Number engraved on boot
3. Material:
  - Boot: Duraelectric™ D

Color Code	
Code	Color
0	Black
1	Brown
2	Red
3	Orange
4	Yellow
5	Green
6	Blue
7	Violet
8	Gray
9	White
DT	Desert Tan
OG	Dark Olive Green



Dimensions												
BOOT SIZE	GLENAIR US PART MARKING <sup>2</sup>	AS85049 / 141 REF	SHELL SIZE	Ae DIA MIN	Ce DIA MIN	Ar DIA MAX	at ±30%	Cr DIA MAX	ct ±20%	CO REF	P ±20%	R REF
03	A03	01	9	.75(19.1)	.75(19.1)	.394(10.0)	.063(1.6)	.197(5.0)	.035(0.9)	.394(10.0)	.984(25.0)	.984(25.0)
04	A04	02	11-15	.75(19.1)	.75(19.1)	.532(13.5)	.071(1.8)	.217(5.5)	.039(1.0)	.472(12.0)	1.260(32.0)	1.063(27.0)
05	A05	03	13-17	1.25(31.8)	1.25(31.8)	.709(18.0)	.071(1.8)	.276(7.0)	.047(1.2)	.591(15.0)	1.535(39.0)	1.260(32.0)
06	A06	04	17-21	1.25(31.8)	1.25(31.8)	.886(22.5)	.079(2.0)	.335(8.5)	.047(1.2)	.630(16.0)	1.929(49.0)	1.496(38.0)
07	A07	05	21-23	1.45(36.8)	1.45(36.8)	1.102(28.0)	.087(2.2)	.394(10.0)	.059(1.5)	.709(18.0)	2.165(55.0)	1.850(47.0)
08	A08	06	23-25	2.25(57.2)	2.25(57.2)	1.378(35.0)	.130(3.3)	.591(15.0)	.079(2.0)	1.260(32.0)	3.150(80.0)	2.165(55.0)
09	A09	07	25-33	2.75(69.9)	2.75(69.9)	1.752(44.5)	.150(3.8)	.661(16.8)	.079(2.0)	1.890(48.0)	4.250(108.0)	2.680(68.0)

## SERIES 77

# Autoshrink™ D Cold-Action Shrink Boots and Tubing

## 777-005 45° Angle Lipped Boot



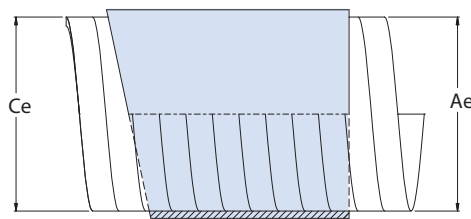
Lipped boots provide mechanical and environmental protection from damage and debris. Boots are made in accordance with AS85049 and fit standard boot adapters for circular connectors. Autoshrink™ D Boots are RoHS compliant, halogen free, and highly resistant to sunlight and ozone damage. Shrink boots are water-tight when equipped with 779-005 adhesive. Lipped boots lock into boot groove located on adapter. Service temperature range is -65°C to 225°C. Choose boot size based on adapter diameter and cable diameter. 12 colors available.

How to Order					
Sample Part Number	777	-005	B	0	04
Product Series	777 = Autoshrink™				
Basic Number	005 = Lipped boot, no eyelet, Autoshrink™ D				
Angular Function	B = 45°				
Color	See color table				
Boot Size	See dimensions table				

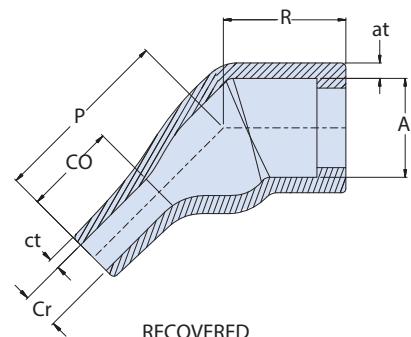
### NOTES

1. Adhesive 779-005 sold separately
2. Number engraved on boot
3. Material:
  - Boot: Duraelectric™ D

Color Code	
Code	Color
0	Black
1	Brown
2	Red
3	Orange
4	Yellow
5	Green
6	Blue
7	Violet
8	Gray
9	White
DT	Desert Tan
OG	Dark Olive Green



AS SUPPLIED



RECOVERED

Dimensions											
BOOT SIZE	GLENAIR US PART MARKING <sup>2</sup>	SHELL SIZE	Ae DIA MIN	Ce DIA MIN	Ar DIA MAX	at ±30%	Cr DIA MAX	ct ±20%	CO REF	P ±10%	R REF
04	B04	11-15	.75(19.1)	.75(19.1)	.551(14.0)	.071(1.8)	.236(6.0)	.039(1.0)	.354(9.0)	1.180(30.0)	.748(19.0)
05	B05	13-17	1.25(31.8)	1.25(31.8)	.709(18.0)	.079(2.0)	.276(7.0)	.071(1.8)	.591(15.0)	1.378(35.0)	.984(25.0)
06	B06	17-21	1.25(31.8)	1.25(31.8)	.866(22.0)	.079(2.0)	.335(8.5)	.071(1.8)	.709(18.0)	1.575(40.0)	1.260(32.0)
07	B07	21-23	1.45(36.8)	1.45(36.8)	1.102(28.0)	.087(2.2)	.394(10.0)	.079(2.0)	.709(18.0)	1.772(45.0)	1.496(38.0)