

Autoshrink™ D Cold-Action Shrink Boots and Tubing



777-008 Straight, Lipped Long Tail Boot

Lipped, long tail boots provide mechanical and environmental protection from damage and debris. Long tail boots provide additional strain relief compared to standard length boots and are made in accordance with AS85049. Autoshrink™ D Boots are RoHS compliant, halogen

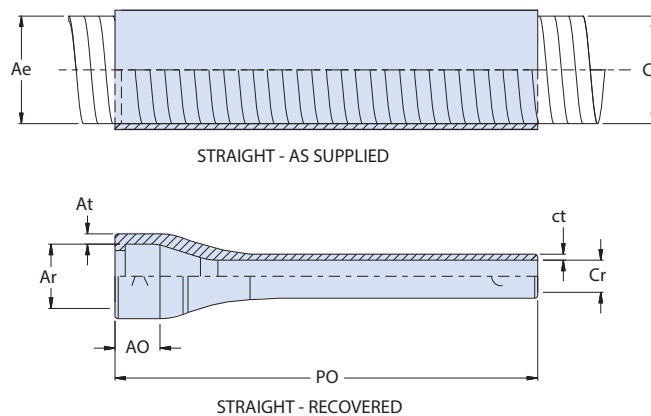
free, and highly resistant to sunlight and ozone damage. Boots are water-tight when installed with 779-005 adhesive. Lipped boots lock into boot groove located on adapter. Choose boot size based on adapter and cable diameter. 12 color choices available. Service temperature -65°C to 225°C

How to Order					
Sample Part Number	777	-008	S	0	03
Product Series	777 = Autoshrink™				
Basic Number	008 = Lipped long tail boot, no eyelet, Autoshrink™ D				
Angular Function	S = Straight				
Color	See color table				
Boot Size	See dimensions table				

NOTES

1. Adhesive 779-005 sold separately
2. Number engraved on boot
3. Material:
 - Boot: Duraelectric™ D

Color Code	
Code	Color
0	Black
1	Brown
2	Red
3	Orange
4	Yellow
5	Green
6	Blue
7	Violet
8	Gray
9	White
DT	Desert Tan
OG	Dark Olive Green



Dimensions									
BOOT SIZE	GLENAIR US PART MARKING ²	Ae DIA MIN	Ce DIA MIN	Ar DIA MAX	at ±30%	AO Ref	Cr DIA MAX	ct ±20%	PO ±10% 16
01	S01	.33(8.4)	.33(8.4)	.290(7.4)	.054(1.4)	.500(12.7)	.125(3.2)	.043(1.1)	4.000(101.6)
02	S02	.75(19.1)	.75(19.1)	.433(11.0)	.059(1.5)	.551(14.0)	.256(6.5)	.047(1.2)	4.330(110.0)
03	S03	.75(19.1)	.75(19.1)	.591(15.0)	.059(1.5)	.591(15.0)	.295(7.5)	.047(1.2)	4.724(120.0)
04	S04	1.13(28.7)	1.13(28.7)	.748(19.0)	.071(1.8)	.591(15.0)	.335(8.5)	.047(1.2)	5.512(140.0)
05	S05	1.13(28.7)	1.13(28.7)	.827(21.0)	.071(1.8)	.787(20.0)	.374(9.5)	.047(1.2)	6.299(160.0)
06	S06	1.45(36.8)	1.45(36.8)	1.181(30.0)	.079(2.0)	.787(20.0)	.413(10.5)	.047(1.2)	7.087(180.0)
07	S07	1.45(36.8)	1.45(36.8)	1.339(34.0)	.079(2.0)	.984(25.0)	.472(12.0)	.047(1.2)	7.874(200.0)
08	S08	2.00(50.8)	2.00(50.8)	1.575(40.0)	.091(2.3)	.984(25.0)	.551(14.0)	.059(1.5)	7.874(200.0)
09	S09	2.25(57.2)	2.25(57.2)	1.850(47.0)	.100(2.5)	1.00(25.4)	.690(17.5)	.059(1.5)	8.000(203.2)
10	S10	2.75(69.9)	2.75(69.9)	2.350(59.7)	.100(2.5)	1.00(25.4)	.770(19.6)	.059(1.5)	8.000(203.2)
11	S11	2.75(69.9)	2.75(69.9)	2.642(67.1)	.100(2.5)	1.00(25.4)	.900(22.9)	.059(1.5)	8.000(203.2)

Autoshrink™ D Cold-Action Shrink Boots and Tubing



777-008 Right Angle, Lipped Long Tail Boot



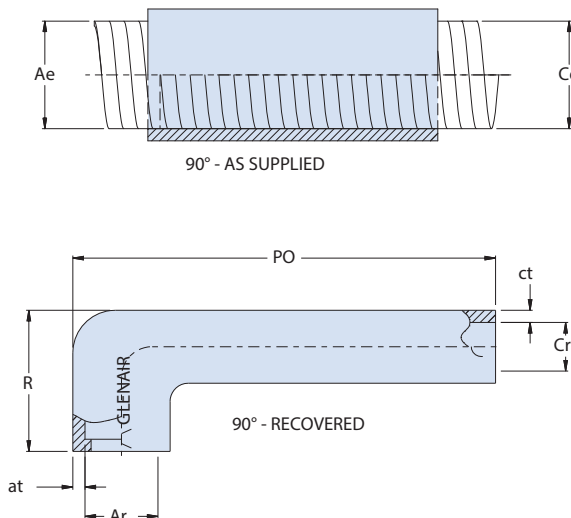
Lipped long tail right angle boots provide mechanical and environmental protection from damage and debris. Long tail boots provide additional strain relief compared to standard length boots and are made in accordance with AS85049. Autoshrink™ D Boots are RoHS compliant, halogen free, and highly resistant to sunlight and ozone damage. Boots are water-tight when installed with 779-005 adhesive. Lipped boots lock into boot groove located on adapter. Choose boot size based on adapter and cable diameter. 12 color choices available. Service temperature -65°C to 225°C

How to Order	
Sample Part Number	777 -008 A 0 03
Product Series	777 = Autoshrink™
Basic Number	008 = Lipped long tail boot, no eyelet, Autoshrink™ D
Angular Function	A = 90°
Color	See color table
Boot Size	See dimensions table

NOTES

1. Adhesive 779-005 sold separately
2. Number engraved on boot
3. Material:
 - Boot: Duraelectric™ D

Color Code	
Code	Color
0	Black
1	Brown
2	Red
3	Orange
4	Yellow
5	Green
6	Blue
7	Violet
8	Gray
9	White
DT	Desert Tan
OG	Dark Olive Green



Dimensions										
BOOT SIZE	GLENAIR US PART MARKING ²	Ae DIA MIN	Ce DIA MIN	Ar DIA MAX	at ±30%	A0 Ref	Cr DIA MAX	ct ±20%	PO ±10%16	R Ref
01	A01	.33(8.4)	.33(8.4)	.290(7.4)	.054(1.4)	.500(12.7)	.125(3.2)	.043(1.1)	4.000(101.6)	.558 (14.2)
02	A02	.75(19.1)	.75(19.1)	.433(11.0)	.059(1.5)	.551(14.0)	.256(6.5)	.047(1.2)	4.142 (105.2)	.728 (18.5)
03	A03	.75(19.1)	.75(19.1)	.591(15.0)	.059(1.5)	.591(15.0)	.295(7.5)	.047(1.2)	4.882 (124.0)	.780 (19.8)
04	A04	1.13(28.7)	1.13(28.7)	.748(19.0)	.071(1.8)	.591(15.0)	.335(8.5)	.047(1.2)	5.760 (146.3)	.819 (20.8)
05	A05	1.13(28.7)	1.13(28.7)	.827(21.0)	.071(1.8)	.787(20.0)	.374(9.5)	.047(1.2)	6.780 (172.2)	.858 (21.8)
06	A06	1.45(36.8)	1.45(36.8)	1.181(30.0)	.079(2.0)	.787(20.0)	.413(10.5)	.047(1.2)	7.291 (185.2)	.961 (24.4)
07	A07	1.45(36.8)	1.45(36.8)	1.339(34.0)	.079(2.0)	.984(25.0)	.472(12.0)	.047(1.2)	8.409 (213.6)	1.079 (27.4)
08	A08	2.00(50.8)	2.00(50.8)	1.575(40.0)	.091(2.3)	.984(25.0)	.551(14.0)	.059(1.5)	8.839 (224.5)	1.161 (29.5)
09	A09	2.25(57.2)	2.25(57.2)	1.850(47.0)	.100(2.5)	1.00(25.4)	.690(17.5)	.059(1.5)	8.949 (227.3)	1.311 (33.3)