



# Series 44 Banding Backshells

for Series 806 Mil-Aero Connectors

## 440V\*233 Banding Backshell, Shrink Boot, Expanded Clearance



**Self-Locking**

**Prevents splaying of size 8 twinax, quadrax and octaxial contacts. Band-Master ATS® shield termination.** 440V\*233 banding backshell fits Series 806 Mil-Aero Connectors. Backshell has increased clearance for sealing boots used with size 8 contacts. 45° and 90° profiles have large radius elbows for minimized wire bending. Anti-decoupling mechanism provides audible detented coupling and prevents backoff under high vibration. Terminate cable braid shield to backshell with optional band strap. Optional shrink boot adds strain relief and environmental protection. Aluminum version has thermoplastic detent spring, stainless steel version has stainless steel detent spring. Silicone O-ring.

**Adapter Code V**

This accessory fits Glenair Series 806 MilAero Connectors

**PROFILE SELECTION GUIDE**

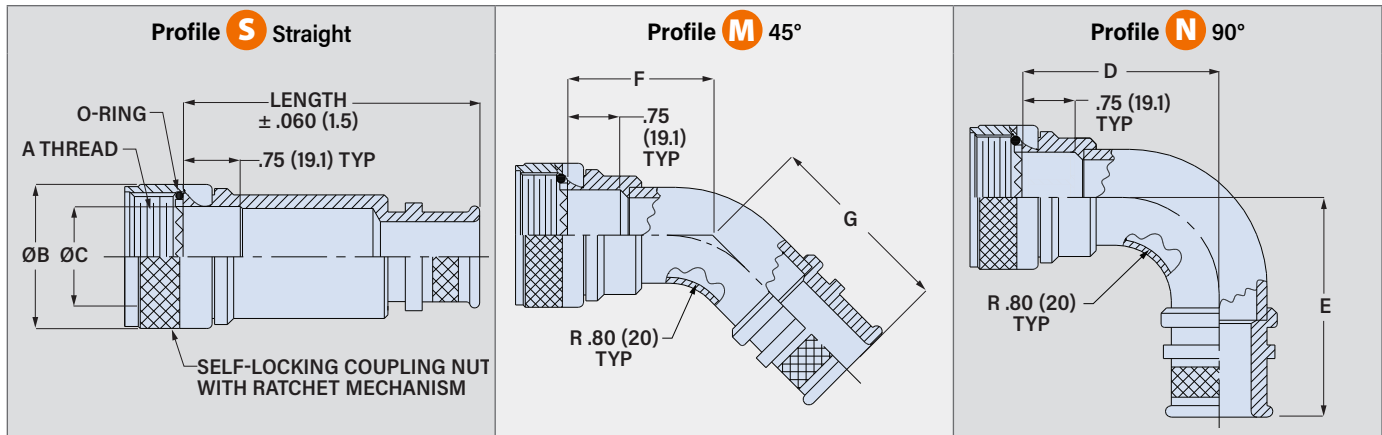
<b>S</b> Straight	<b>M</b> 45°	<b>N</b> 90°

PART NUMBER		440VS233	ME	10	06	M	-8	K	P	T	
Base P/N	Base Part No.	440VS233	ME	10	06	M	-8	K	P	T	
	Profile	S Straight									
		M 45°									
Material/Finish		N 90°									
		ME Alum/ Electroless Nickel									
		MT Alum/ Nickel-PTFE									
Shell Size		NF Alum/ Olive Drab Cadmium									
		ZR Alum/ Black Zinc-Nickel									
		TZ Alum/ Tin-Zinc									
		ZI SST/ Passivated									
		07 08 09 10 11 12 14 16 18 20 22 24									
Entry Size											
		Entry Size	Inside Dia.	Shell Size	Entry Size	Inside Dia.	Shell Size				
		02	.125 (3.2)	7-24	11	.688 (17.5)	18-24				
		03	.188 (4.8)	7-24	12	.750 (19.1)	18-24				
		04	.250 (6.4)	7-24	13	.812 (20.6)	20-24				
		05	.312 (7.9)	10-24	14	.875 (22.2)	20-24				
		06	.375 (9.5)	10-24	15	.938 (23.8)	22-24				
		07	.438 (11.1)	12-24	16	1.000 (25.4)	22-24				
		08	.500 (12.7)	12-24	17	1.062 (27.0)	24				
		09	.562 (14.3)	16-24	18	1.125 (28.6)	24				
		10	.625 (15.9)	16-24							
Band Platform		Omit for standard band platform									
		M	Micro Band Platform								
Length		-8	2.0 in.								
		-10	2.5 in.	Length Code applies to Profile S only.							
		-12	3.0 in.	Length in ¼ inch increments, 2 inch min.							
		-14	3.5 in.	Omit for 45° and 90° profiles.							
Band		Omit if not required									
		K	Pre-Coiled Band Included With Backshell								
Polysulfide		Omit if not required. Applies to Plating Codes NF, ZR, TZ only.									
		P	Nickel Plated Shield Termination Area with Polysulfide Barrier								
Shrink Boot		Omit if not required									
		T	Type 1 High Performance Shrink Boot Included With Backshell								
		Ti	Adhesive-lined Type 1 High Performance Shrink Boot								
		H	Zero Halogen Shrink Boot Included With Backshell								
		Ti	Adhesive-lined Zero Halogen Shrink Boot								

# Series 44 Banding Backshells

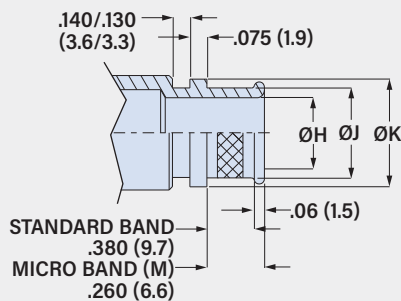
for Series 806 Mil-Aero Connectors

## 440V\*233 Banding Backshell, Shrink Boot, Expanded Clearance



Shell Size	A Thread ISO Metric	øB Max.		øC ±.005 (0.1)			D Max.		E Max.		F Max.		G Max.		Max. Entry Size
		in	mm	in	mm	in	mm	in	mm	in	mm	in	mm		
07	M8 x 1.0-6H	.640	16.3	.209	53.1	1.893	48.1	1.883	47.8	1.433	36.4	1.423	36.1	04	
08	M10 x 1.0-6H	.710	18.0	.269	6.8	1.893	48.1	1.883	47.8	1.433	36.4	1.423	36.1	04	
09	M12 x 1.0-6H	.780	19.8	.346	8.8	1.893	48.1	1.883	47.8	1.433	36.4	1.423	36.1	04	
10	M14 x 1.0-6H	.880	22.4	.410	10.4	1.955	49.7	1.945	49.4	1.460	37.1	1.450	36.8	06	
11	M15 x 1.0-6H	.920	23.4	.471	12.0	1.955	49.7	1.945	49.4	1.460	37.1	1.450	36.8	06	
12	M17 x 1.0-6H	1.000	25.4	.539	13.7	2.107	53.5	2.097	53.3	1.485	37.7	1.475	37.5	08	
14	M19 x 1.0-6H	1.090	27.7	.592	15.0	2.107	53.5	2.097	53.3	1.485	37.7	1.475	37.5	08	
16	M22 x 1.0-6H	1.210	30.7	.740	18.8	2.170	55.1	2.160	54.9	1.541	39.1	1.531	38.9	10	
18	M25 x 1.0-6H	1.330	33.8	.856	21.7	2.275	57.8	2.265	57.5	1.580	40.1	1.570	39.9	12	
20	M28 x 1.0-6H	1.450	36.8	.980	24.9	2.338	59.4	2.328	59.1	1.606	40.8	1.596	40.5	14	
22	M31 x 1.0-6H	1.570	39.9	1.070	27.2	2.399	60.9	2.389	60.7	1.588	40.3	1.578	40.1	16	
24	M34 x 1.0-6H	1.700	43.2	1.214	30.8	2.420	61.5	2.410	61.2	1.610	40.9	1.600	40.6	18	

### ENTRY SIZE



Entry Size	Shell Sizes	øH ±.015 (0.4)		øJ ±.015 (0.4)		øK ±.015 (0.4)	
		in	mm	in	mm	in	mm
02	8-24	.125	3.2	.250	6.4	.312	7.9
03	8-24	.188	4.8	.312	7.9	.374	9.5
04	8-24	.250	6.4	.375	9.5	.437	11.1
05	10-24	.312	7.9	.438	11.1	.500	12.7
06	10-24	.375	9.5	.500	12.7	.562	14.3
07	12-24	.438	11.1	.562	14.3	.624	15.8
08	12-24	.500	12.7	.625	15.9	.687	17.4
09	16-24	.562	14.3	.688	17.5	.750	19.1
10	16-24	.625	15.9	.750	19.1	.812	20.6
11	18-24	.688	17.5	.812	20.6	.874	22.2
12	18-24	.750	19.1	.875	22.2	.937	23.8
13	20-24	.812	20.6	.938	23.8	1.000	25.4
14	20-24	.875	22.2	1.000	25.4	1.062	27.0
15	22-24	.938	23.8	1.062	27.0	1.124	28.5
16	22-24	1.000	25.4	1.125	28.6	1.187	30.1
17	24	1.062	27.0	1.188	30.2	1.250	31.8
18	24	1.125	28.6	1.250	31.8	1.312	33.3

### SHRINK BOOT

Optional heatshrink boot provides cable strain relief and environmental protection.

**Code T, T1:** Type 1 high-performance semi-rigid elastomer resists fuels and oils. Operating temperature range -75 to +150 °C. Code T1 adds W1 hot melt adhesive precoat (-40 to +125 °C).

**Code H, H1:** Type 2 halogen-free polyolefin meets low smoke and toxicity requirements of shipboard, transit and aircraft systems. Operating temperature range -40 to +130 °C. Code H1 adds W1 hot melt adhesive precoat (-40 to +125 °C).



Entry Sizes	Shrink Boot P/N*	Zero Halogen Shrink Boot P/N*
02-03	770-003S111	770-003S211
04-05	770-001S112	770-001S212
06	770-001S103	770-001S203
07-11	770-001S104	770-001S204
12-15	770-001S105	770-001S205
16-17	770-001S106	770-001S206
18	770-001S107	770-001S207

\* Add "W1" to the part number for adhesive lined boot

### BAND

Optional Band-Master ATS® band strap provides fast, cost-effective and highly reliable termination of braided metallic shielding.



**Standard Band**  
601-041

**Standard Banding Tool**  
601-100

**Micro Band**  
601-065

**Micro Banding Tool**  
601-101

### POLYSULFIDE

Optional selective electroless nickel plating on shield termination area and polysulfide dielectric barrier prevents galvanic mismatch between nickel-coated braid shield and backshell.

⚠ Plating codes NF, ZR and TZ only

