

# Series 44 Banding Backshells

for MIL-DTL-38999 Series I and II Connectors

## 443F\*024 Banding Backshell, Shrouded Environmental

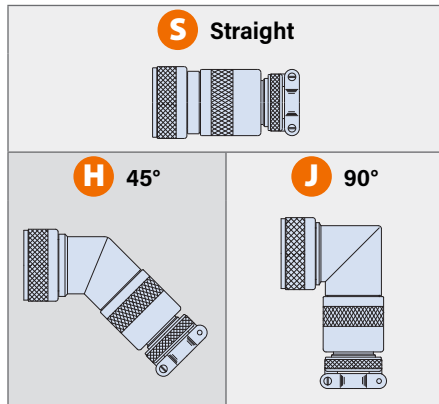


**Self-Locking**

**Adapter Code F**

This accessory fits these connectors:  
MIL-DTL-38999 Series I and Series II

### PROFILE SELECTION GUIDE



**Environmental. "Band-in-a-Can" shield termination. Saddle clamp.** 443F\*024 banding backshell fits MIL-DTL-38999 Series I and II connectors. Anti-decoupling mechanism provides audible detented coupling and prevents backoff under high vibration. Terminate cable braid shield with band strap (not supplied). Environmentally sealed with O-rings and cable grommet. Aluminum or stainless steel. Saddle clamp hardware is passivated SST. Silicone O-rings and grommet.

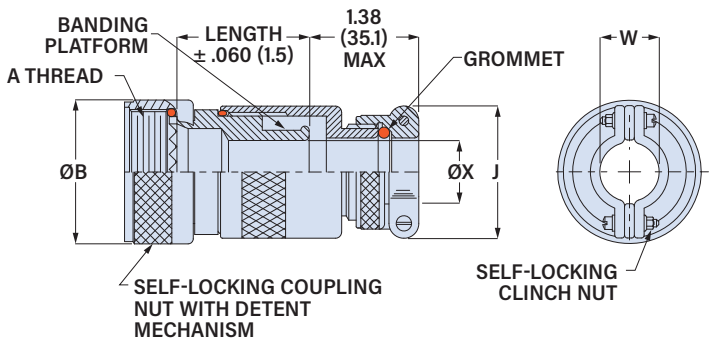
### PART NUMBER

		<b>443FS024</b>	<b>NF</b>	<b>18</b>	<b>06-</b>	<b>3</b>	<b>S</b>			
<b>Base P/N</b>	<b>Base Part No.</b>	<b>443FS024</b>	<b>S</b>	<b>Straight</b>						
	<b>Profile</b>	<b>443FH024</b>	<b>H</b>	<b>45°</b>						
		<b>443FJ024</b>	<b>J</b>	<b>90°</b>						
<b>Material/Finish</b>	<b>M</b>	Alum/ Electroless Nickel								
	<b>MT</b>	Alum/ Nickel-PTFE								
	<b>NF</b>	Alum/ Olive Drab Cadmium								
	<b>ZR</b>	Alum/ Black Zinc-Nickel								
	<b>TZ</b>	Alum/ Tin-Zinc								
	<b>ZM</b>	SST/ Electroless Nickel								
<b>Shell Size</b>	<b>Shell Size</b>									
	38999 Series I	9	11	13	15	17	19	21	23	25
	38999 Series II	8	10	12	14	16	18	20	22	24
	<b>Size Code</b>	<b>08</b>	<b>10</b>	<b>12</b>	<b>14</b>	<b>16</b>	<b>18</b>	<b>20</b>	<b>22</b>	<b>24</b>
<b>Entry Size</b>	See Table 1									
<b>Length</b>	<b>2</b>	1.0 inch		Applies to Profile <b>S</b> only.						
	<b>3</b>	1.5 inches		If Entry Size is greater than						
	<b>4</b>	2.0 inches		"Maximum Entry Size", then 1.5						
	<b>6</b>	3.0 inches		inch minimum applies.						
<b>Self-Locking</b>	<b>S</b>	Self-Locking Coupling Nut								

**TABLE 1: ENTRY SIZE**

Entry Size	Cable Range		J Max. in	W Closed in	ø X Min in	Shell Sizes*
	Min. in	Max. in				
01	.125	.250	1.05	.264	.25	08-24
02	.188	.375	1.20	.344	.37	10-24
03	.312	.625	1.30	.460	.43	12-24
04	.343	.500	1.44	.545	.50	12-24
05	.438	.625	1.69	.698	.62	14-24
06	.562	.750	1.77	.780	.75	16-24
07	.688	.875	2.12	.950	.87	18-24
08	.812	1.000	2.50	1.015	1.00	20-24
09	.938	1.125	2.62	1.187	1.12	22-24
10	1.062	1.250	2.68	1.220	1.25	—
11	1.125	1.375	3.00	1.500	1.38	—
12	1.250	1.500	3.50	1.625	1.50	—

\* If Entry Size exceeds the shell size range in this table, the backshell will include a "Style 2" adapter. See "Maximum Entry Size" on next page.



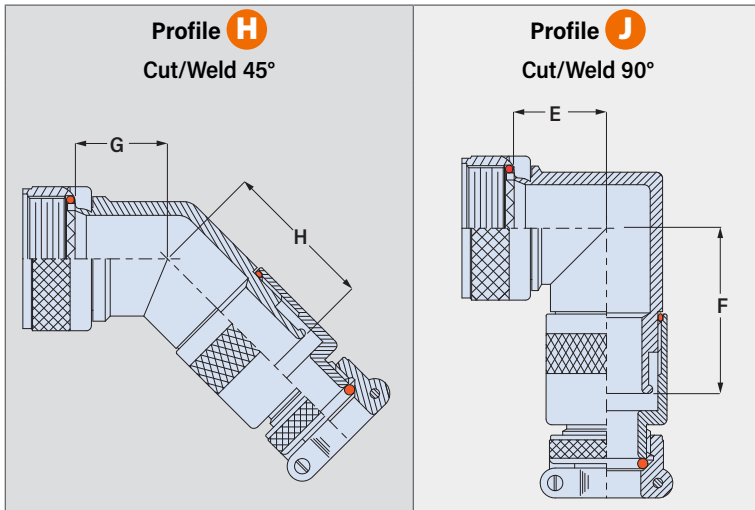
Shell Size	A Thread	øB Max in	Max Entry Size*
8/9	0.4375-28	.860	01
10/11	0.5625-24	.970	02
12/13	0.6875-24	1.110	04
14/15	0.8125-20	1.210	05
16/17	0.9375-20	1.350	06
18/19	1.0625-18	1.460	07
20/21	1.1875-18	1.600	08
22/23	1.3125-18	1.700	09
24/25	1.4375-18	1.840	09

\* If Entry Size exceeds the Max Entry Size in this table, the backshell will include a "Style 2" adapter. See "Maximum Entry Size" on next page.

# Series 44 Banding Backshells

for MIL-DTL-38999 Series I and II Connectors

## 443F\*024 Banding Backshell, Shrouded, Environmental



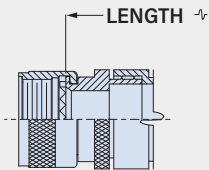
Shell Size	E Max.		F Max.		G Max.		H Max.	
	in	mm	in	mm	in	mm	in	mm
8/9	.75	19.1	1.50	38.1	.639	16.2	1.380	35.1
10/11	.81	20.6	1.55	39.4	.664	16.9	1.410	35.8
12/13	.87	22.1	1.61	40.9	.688	17.5	1.430	36.3
14/15	.92	23.4	1.68	42.7	.705	17.9	1.460	37.1
16/17	.98	24.9	1.74	44.2	.732	18.6	1.480	37.6
18/19	1.02	25.9	1.76	44.7	.748	19.0	1.490	37.8
20/21	1.08	27.4	1.82	46.2	.773	19.6	1.510	38.4
22/23	1.14	29.0	1.90	48.3	.800	20.3	1.550	39.4
24/25	1.20	30.5	1.97	50.0	.823	20.9	1.580	40.1

### MAXIMUM ENTRY SIZE

If the selected entry size exceeds the maximum size in this table, the backshell will have a front adapter. This is called a Style 2 backshell.

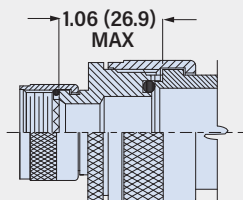
Shell Size	Max. Entry Size	Shell Size	Max. Entry Size
8/9	01	18/19	07
10/11	02	20/21	08
12/13	04	22/23	09
14/15	05	24/25	09
16/17	06		

### Style 2 Straight Backshell



For Style 2 straight backshells, the minimum length code increases from 2 (1 inch) to 4 (2 inches).

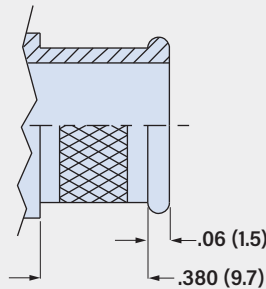
### Style 2 45° and 90° Backshells



For Style 2 45° and 90° backshells, the length increases by 1.06 inches.

### BAND

SST band strap (not included, ordered separately) provides fast, cost-effective and highly reliable termination of braided metallic shielding. The Band-Master ATS® Advanced Cable Shield Termination System is the overwhelming favorite throughout the military aerospace and defense industries, providing excellent static loading and corrosion resistance in electrical wire interconnect systems.



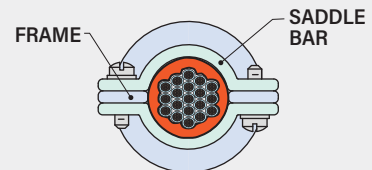
Band  
601-041



Banding Tool  
601-100

### APPLICATION NOTE

This backshell has a *full radius* saddle clamp. This type of strain relief is designed to be fully closed. Saddle bars should be bottomed onto frame. Build up cable diameter with tape or sleeving to meet the diameter of the fully closed clamp.



**FULL RADIUS SADDLE CLAMP**  
SADDLE BARS SHOULD BE FULLY BOTTOMED ONTO FRAME.