

Series 44 Banding Backshells

for MIL-DTL-38999 Series III and IV Connectors

443H*024 Banding Backshell, Shrouded Environmental

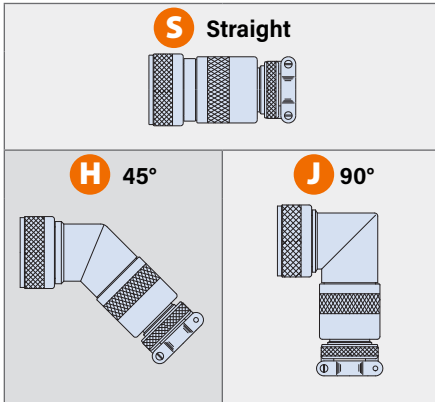


Self-Locking

Adapter Code H

This accessory fits these connectors:
MIL-DTL-38999 Series III and Series IV

PROFILE SELECTION GUIDE



Environmental. "Band-in-a-Can" shield termination. Saddle clamp. 443H*024 banding backshell fits MIL-DTL-38999 Series III and IV connectors. Anti-decoupling mechanism provides audible detented coupling and prevents backoff under high vibration. Terminate cable braid shield with band strap (not supplied). Environmentally sealed with O-rings and cable grommet. Aluminum or stainless steel. Saddle clamp hardware is passivated SST. Silicone O-rings. Aluminum version has thermoplastic detent spring, stainless steel version has stainless steel detent spring.

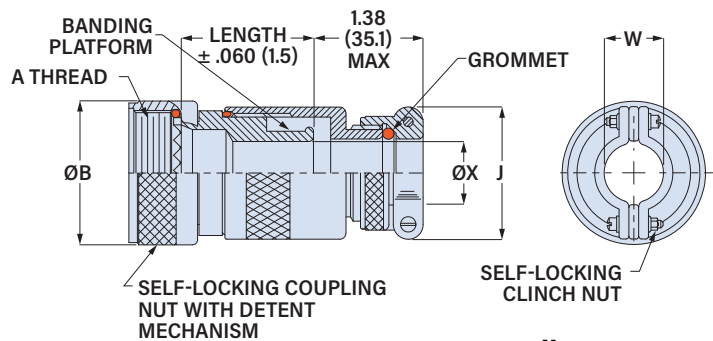
PART NUMBER

		443HS024	NF	19	06-	3	S			
Base P/N	Base Part No.	443HS024	S	Straight						
		443HH024	H	45°						
		443HJ024	J	90°						
Material/Finish	M	Alum/ Electroless Nickel								
	MT	Alum/ Nickel-PTFE								
	NF	Alum/ Olive Drab Cadmium								
	ZR	Alum/ Black Zinc-Nickel								
	TZ	Alum/ Tin-Zinc								
	ZM	SST/ Electroless Nickel								
Shell Size	Shell Size	9	11	13	15	17	19	21	23	25
	Size Code	09	11	13	15	17	19	21	23	25
Entry Size	See Table 1									
Length	2	1.0 inch		Applies to Profile S only.						
	3	1.5 inches		If Entry Size is greater than						
	4	2.0 inches		"Maximum Entry Size", then 1.5						
	6	3.0 inches		inch minimum applies.						
Self-Locking	S	Self-Locking Coupling Nut								

TABLE 1: ENTRY SIZE

Entry Size	Cable Range				J Max.	W Closed	ø X Min	Shell Sizes*
	Min. in	Max. mm	Min. mm	Max. in				
01	.125	3.2	.250	6.4	1.05	26.7	.264 6.7	.25 6.4 09-25
02	.188	4.8	.375	9.5	1.20	30.5	.344 8.7	.37 9.4 11-25
03	.312	7.9	.438	11.1	1.30	33.0	.460 11.7	.43 10.9 13-25
04	.343	8.7	.500	12.7	1.44	36.6	.545 13.8	.50 12.7 13-25
05	.438	11.1	.625	15.9	1.69	42.9	.698 17.7	.62 15.7 15-25
06	.562	14.3	.750	19.1	1.77	45.0	.780 19.8	.75 19.1 17-25
07	.688	17.5	.875	22.2	2.12	53.8	.950 24.1	.87 22.1 19-25
08	.812	20.6	1.000	25.4	2.50	63.5	1.015 25.8	1.00 25.4 21-25
09	.938	23.8	1.125	28.6	2.62	66.5	1.187 30.1	1.12 28.4 23-25
10	1.062	27.0	1.250	31.8	2.68	68.1	1.220 31.0	1.25 31.8 -
11	1.125	28.6	1.375	34.9	3.00	76.2	1.500 38.1	1.38 35.1 -
12	1.250	31.8	1.500	38.1	3.50	88.9	1.625 41.3	1.50 38.1 -

* If Entry Size exceeds the shell size range in this table, the backshell will include a "Style 2" adapter. See "Maximum Entry Size" on next page.



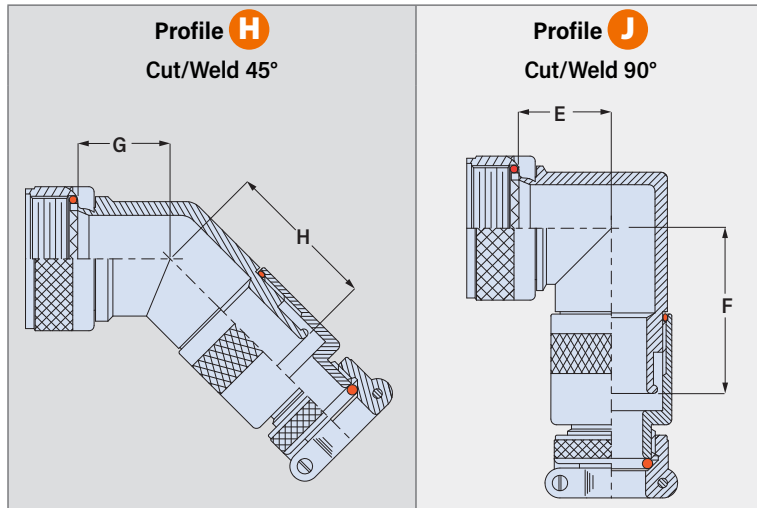
Shell Size	A Thread	øB Max in	Max Entry Size*
9 (A)	M12X1.0-6H	.94 24.8	01
11 (B)	M15X1.0-6H	1.06 26.9	02
13 (C)	M18X1.0-6H	1.17 29.7	04
15 (D)	M22X1.0-6H	1.29 32.7	05
17 (E)	M25X1.0-6H	1.42 36.1	06
19 (F)	M28X1.0-6H	1.54 39.1	07
21 (G)	M31X1.0-6H	1.67 42.4	08
23 (H)	M34X1.0-6H	2.01 51.1	09
25 (J)	M37X1.0-6H	2.12 53.8	09

* If Entry Size exceeds the Max Entry Size in this table, the backshell will include a "Style 2" adapter. See "Maximum Entry Size" on next page.

Series 44 Banding Backshells

for MIL-DTL-38999 Series III and IV Connectors

443H*024 Banding Backshell, Shrouded Environmental



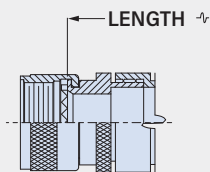
Shell Size	E Max.		F Max.		G Max.		H Max.	
	in	mm	in	mm	in	mm	in	mm
9 (A)	.75	19.1	1.50	38.1	.639	16.2	1.380	35.1
11 (B)	.81	20.6	1.55	39.4	.664	16.9	1.410	35.8
13 (C)	.87	22.1	1.61	40.9	.688	17.5	1.430	36.3
15 (D)	.92	23.4	1.68	42.7	.705	17.9	1.460	37.1
17 (E)	.98	24.9	1.74	44.2	.732	18.6	1.480	37.6
19 (F)	1.02	25.9	1.76	44.7	.748	19.0	1.490	37.8
21 (G)	1.08	27.4	1.82	46.2	.773	19.6	1.510	38.4
23 (H)	1.14	29.0	1.90	48.3	.800	20.3	1.550	39.4
25 (J)	1.20	30.5	1.97	50.0	.823	20.9	1.580	40.1

MAXIMUM ENTRY SIZE

If the selected entry size exceeds the maximum size in this table, the backshell will have a front adapter. This is called a **Style 2** backshell.

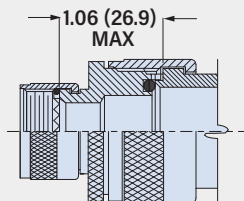
Shell Size	Max. Entry Size	Shell Size	Max. Entry Size
9(A)	01	19(F)	07
11(B)	02	21(G)	08
13(C)	04	23(H)	09
15(D)	05	25(J)	09
17(E)	06		

Style 2 Straight Backshell



For Style 2 straight backshells, the minimum length code increases from 2 (1 inch) to 4 (2 inches).

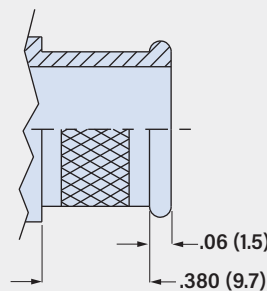
Style 2 45° and 90° Backshells



For Style 2 45° and 90° backshells, the length increases by 1.06 inches.

BAND

SST band strap (not included, ordered separately) provides fast, cost-effective and highly reliable termination of braided metallic shielding. The Band-Master ATS® Advanced Cable Shield Termination System is the overwhelming favorite throughout the military aerospace and defense industries, providing excellent static loading and corrosion resistance in electrical wire interconnect systems.



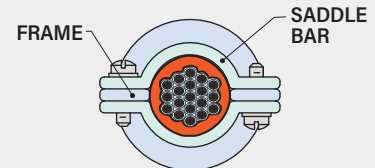
Band
601-041



Banding Tool
601-100

APPLICATION NOTE

This backshell has a **full radius** saddle clamp. This type of strain relief is designed to be fully closed. Saddle bars should be bottomed onto frame. Build up cable diameter with tape or sleeve to meet the diameter of the fully closed clamp.



FULL RADIUS SADDLE CLAMP
SADDLE BARS SHOULD BE FULLY BOTTOMED ONTO FRAME.