



Series 44 Banding Backshells

for Series 80 Mighty Mouse Connectors

443M*042 Banding Backshell, Shrouded, Expanded Clearance

Self-Locking



Prevents splaying of size 8 twinax, quadrax and octaxial contacts. Environmental. "Band-in-a-Can" shield termination. Saddle clamp. 443M*042 banding backshell fits Glenair Series 80 Mighty Mouse connectors. Backshell has increased clearance for sealing boots used with size 8 contacts. 45° and 90° profiles have large radius elbows for minimized bending of data cables. Anti-decoupling mechanism provides audible detented coupling and prevents backoff under high vibration. Terminate cable braid shield with band strap (optional). Environmentally sealed with O-rings. Aluminum or stainless steel. Saddle clamp hardware is passivated SST. Silicone O-rings and grommet. Aluminum version has thermoplastic detent spring, stainless steel version has stainless steel detent spring.

Adapter Code **M**

This accessory fits Series 80 Mighty Mouse Connectors

PROFILE SELECTION GUIDE

S Straight	M 45°	N 90°

TABLE 1: SIZE CODE

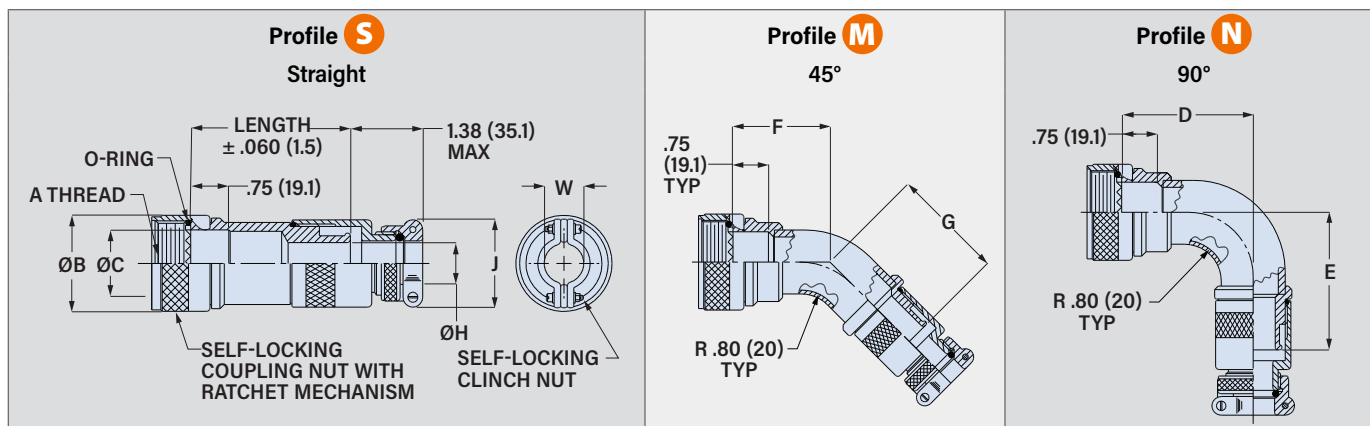
Shell Size Code	Shell Size		Max Entry Size
	Series 800, 801, 803, 804	Series 805	
11	N/A	8	01
07	7	9	01
08	8	10	02
09	9	11	02
10	10	12	04
12	12, 13	N/A	04
13	N/A	15	05
14	14, 15, 16, 17	18, 19	06
16	19	21	07
17	21	23	08

PART NUMBER		443MS042	M	13	04	-8	K	P
Base P/N	Base Part No.	Profile						
	443MS042	S Straight						
	443MM042	M 45°						
	443MN042	N 90°						
Material / Finish	ME	Aluminum / Electroless Nickel						
	MT	Aluminum / Nickel-PTFE						
	NF	Aluminum / Olive Drab Cadmium						
	ZR	Aluminum / Black Zinc-Nickel						
	TZ	Aluminum / Tin-Zinc						
	ZI	Stainless Steel / Passivated						
Size Code	07 08 09 10 11 12 13 14 15 16 17							
	See table 1							
Entry Size	Cable Range		Shell Size Codes					
	Size	Min	Max					
	01	.125 (3.2)	.250 (6.4)	11-17				
	02	.188 (4.8)	.375 (9.5)	08-17				
	03	.312 (7.9)	.438 (11.1)	10-17				
	04	.343 (8.7)	.500 (12.7)	10-17				
	05	.438 (11.1)	.625 (15.9)	13-17				
	06	.562 (14.3)	.750 (19.1)	14-17				
	07	.688 (17.5)	.875 (22.2)	16-17				
08	.812 (20.6)	1.000 (25.4)	17					
Length	-8	2.0 in.	Length in ¼ inch increments. 2 inch min. Length Code applies to Profile S only. Omit for 45° and 90° profiles.					
	-10	2.5 in.						
	-12	3.0 in.						
	-14	3.5 in.						
Band	Omit if not required							
	K	Pre-Coiled Band Included						
Polysulfide	Omit if not required. Applies to Plating Codes NF, ZR, TZ only.							
	P	Nickel Plated Shield Termination Area with Polysulfide Barrier						

Series 44 Banding Backshells

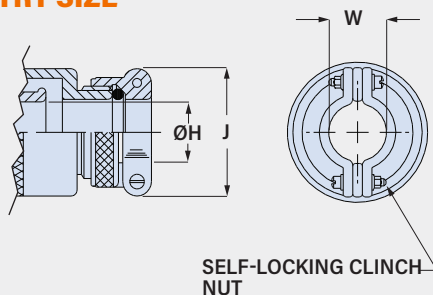
for Series 80 Mighty Mouse Connectors

443M*042 Banding Backshell, Shrouded, Expanded Clearance



Shell Code	Shell Size			A Thread	øB Max.		øC ±.005 (0.1)		D Max.		E Max.		F Max.		G Max.		Max. Entry Size
	Series 800, 801, 803, 804	Series 805	UNE-F-2B		in	mm	in	mm	in	mm	in	mm	in	mm	in	mm	
11	N/A	8	0.3750-32	.763	19.4	.274	7.0	1.893	48.1	1.903	48.3	1.433	36.4	1.443	36.7	01	
07	7	9	0.4375-28	.782	19.9	.324	8.2	1.893	48.1	1.903	48.3	1.433	36.4	1.443	36.7	01	
08	8	10	0.500-28	.803	20.4	.386	9.8	1.893	48.1	1.903	48.3	1.433	36.4	1.443	36.7	02	
09	9	11	0.5625-24	.950	24.1	.444	11.3	1.893	48.1	1.903	48.3	1.433	36.4	1.443	36.7	02	
10	10	12	0.625-24	1.034	26.3	.513	13.0	1.955	49.7	1.965	49.9	1.460	37.1	1.470	37.3	04	
12	12, 13	N/A	0.6875-24	1.076	27.3	.596	15.1	1.955	49.7	1.965	49.9	1.460	37.1	1.470	37.3	04	
13	N/A	15	0.750-20	1.170	29.7	.625	15.9	2.107	53.5	2.117	53.8	1.485	37.7	1.495	38.0	05	
14	14, 15, 16, 17	18, 19	0.9375-20	1.320	33.5	.812	20.6	2.107	53.5	2.117	53.8	1.485	37.7	1.495	38.0	06	
16	19	21	1.0625-18	1.470	37.3	.910	23.1	2.170	55.1	2.180	55.4	1.541	39.1	1.551	39.4	07	
17	21	23	1.1875-18	1.582	40.2	1.055	26.8	2.275	57.8	2.285	58.0	1.580	40.1	1.590	40.4	08	

ENTRY SIZE



Entry Size	Cable Range		J Max.	W Closed	ø H	Shell Sizes					
	Min.	Max.									
01	.125	3.2	.250	6.4	1.05	26.7	2.64	6.7	.25	6.4	11-17
02	.188	4.8	.375	9.5	1.20	30.5	3.44	8.7	.37	9.4	08-17
03	.312	7.9	.438	11.1	1.30	33.0	4.60	11.7	.43	10.9	10-17
04	.343	8.7	.500	12.7	1.44	36.6	5.45	13.8	.50	12.7	10-17
05	.438	11.1	.625	15.9	1.69	42.9	6.98	17.7	.62	15.7	13-17
06	.562	14.3	.750	19.1	1.77	45.0	7.80	19.8	.75	19.1	14-17
07	.688	17.5	.875	22.2	2.12	53.8	9.50	24.1	.87	22.1	16-17
08	.812	20.6	1.000	25.4	2.50	63.5	1.015	25.8	1.00	25.4	17

BAND

Optional SST band strap provides fast, cost-effective and highly reliable termination of braided metallic shielding.

The Band-Master ATS® Advanced Cable Shield Termination System provides excellent static loading and corrosion resistance in electrical wire interconnect systems.



Band 601-041

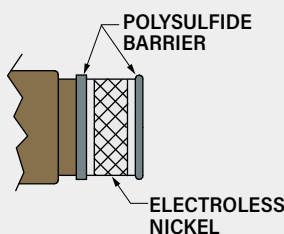


Banding Tool 601-100

POLYSULFIDE

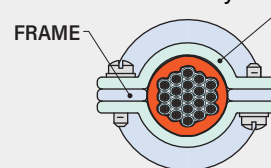
Optional selective electroless nickel plating on shield termination area and polysulfide dielectric barrier prevents galvanic mismatch between nickel-coated braid shield and backshell.

⚠ Plating codes NF, ZR and TZ only



APPLICATION NOTE

This backshell has a full radius saddle clamp. This type of strain relief is designed to be fully closed. Saddle bars should be bottomed onto frame. Build up cable diameter with tape or sleeve to meet the diameter of the fully closed clamp.



FULL RADIUS SADDLE CLAMP
SADDLE BARS SHOULD BE FULLY BOTTOMED ONTO FRAME.