



# Series 44 Banding Backshells

for Series 806 Mil-Aero Connectors

## 443V\*039 Banding Backshell, Shrouded Environmental



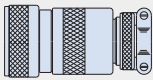
**Self-Locking**

**Adapter Code V**

This accessory fits Glenair Series 806 MilAero Connectors

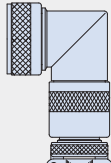
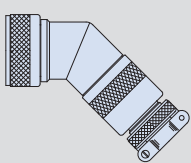
### PROFILE SELECTION GUIDE

**S** Straight



**H** 45°

**J** 90°



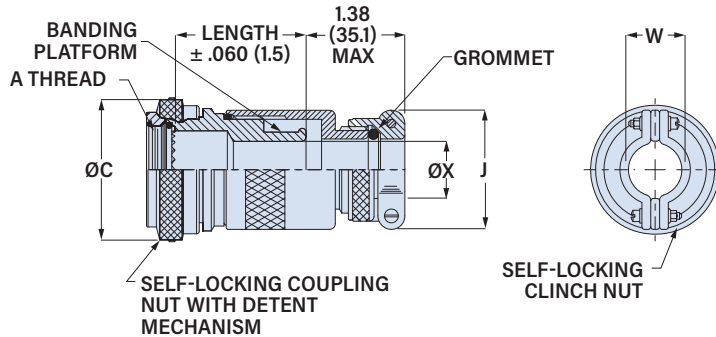
Shell Size	A Thread ISO Metric	øC Max. in	Max. mm	Max Entry Size*
08	M10 x 1.0-6H	.692	17.58	01
09	M12 x 1.0-6H	.786	19.96	01
10	M14 x 1.0-6H	.883	22.43	02
11	M15 x 1.0-6H	.911	23.14	03
12	M17 x 1.0-6H	1.002	25.45	04
14	M19 x 1.0-6H	1.066	27.08	04
16	M22 x 1.0-6H	1.196	30.38	05
18	M25 x 1.0-6H	1.311	33.30	06
20	M28 x 1.0-6H	1.430	36.32	07
22	M31 x 1.0-6H	1.548	39.32	08
24	M34 x 1.0-6H	1.696	43.08	09

\* If Entry Size exceeds the Max Entry Size in this table, the backshell will include a "Style 2" adapter. See "Maximum Entry Size" on next page.

**Environmental. "Band-in-a-Can" shield termination. Saddle clamp.** 443V\*039 banding backshell fits Glenair Series 806 connectors. Anti-decoupling mechanism provides audible detented coupling and prevents backoff under high vibration. Terminate cable braid shield with micro band strap (included). Environmentally sealed with O-rings and cable grommet. Aluminum or stainless steel. Saddle clamp hardware is passivated SST. Silicone O-rings and grommet, thermoplastic or SST detent spring. Band is passivated SST.

### PART NUMBER

	<b>443VS039</b>	<b>ME</b>	<b>16</b>	<b>04</b>	<b>-3</b>
Base P/N	Base Part No. Profile				
	<b>443VS039</b> <b>S</b> Straight				
	<b>443VH039</b> <b>H</b> 45°				
	<b>443VJ039</b> <b>J</b> 90°				
Material/Finish	<b>ME</b> Alum/ Electroless Nickel				
	<b>MT</b> Alum/ Nickel-PTFE				
	<b>NF</b> Alum/ Olive Drab Cadmium				
	<b>ZR</b> Alum/ Black Zinc-Nickel				
	<b>TZ</b> Alum/ Tin-Zinc				
	<b>ZI</b> SST/ Passivated				
Shell Size	<b>08 09 10 11 12 14 16 18 20 22 24</b>				
Entry Size	See Table 1				
Length	<b>2</b> 1.0 inch	Applies to Profile <b>S</b> only.			
	<b>3</b> 1.5 inches	If Entry Size is greater than Maximum Entry			
	<b>4</b> 2.0 inches	Size on next page, then 2 inch minimum			
	<b>6</b> 3.0 inches	applies.			



**TABLE 1: ENTRY SIZE**

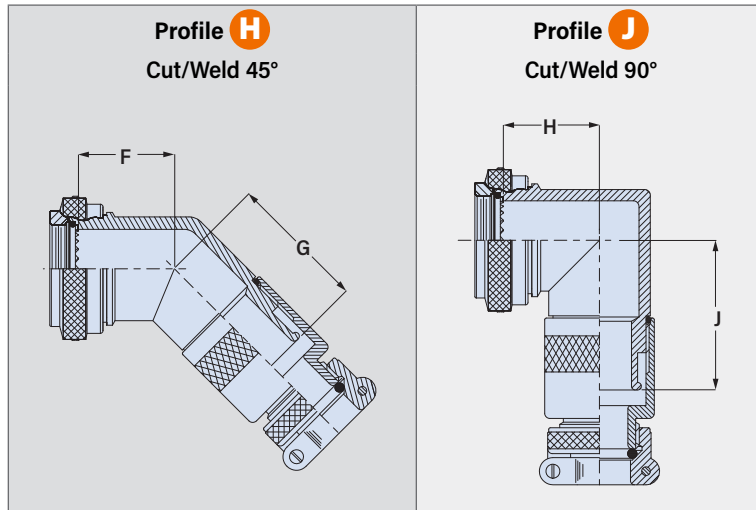
Entry Size	Min.		Max.		J Max. in	W Closed in	øX Min in	Shell Sizes*
	in	mm	in	mm				
01	.125	3.2	.250	6.4	1.05	26.7	.25	6.4 08-24
02	.188	4.8	.375	9.5	1.20	30.5	.37	9.4 10-24
03	.250	6.4	.438	11.1	1.30	33.0	.43	10.9 11-24
04	.312	7.9	.500	12.7	1.44	36.6	.50	12.7 12-24
05	.343	8.7	.625	15.9	1.69	42.9	.62	15.7 16-24
06	.438	11.1	.750	19.1	1.77	45.0	.75	19.1 18-24
07	.688	17.5	.875	22.2	2.12	53.8	.87	22.1 20-24
08	.812	20.6	1.000	25.4	2.50	63.5	1.00	25.4 22-24
09	.938	23.8	1.125	28.6	2.62	66.5	1.12	28.4 24
10	1.062	27.0	1.250	31.8	2.68	68.1	1.25	31.8 -
11	1.125	28.6	1.375	34.9	3.00	76.2	1.38	35.1 -
12	1.250	31.8	1.500	38.1	3.50	88.9	1.50	38.1 -

\* If Entry Size exceeds the shell size range in this table, the backshell will include a "Style 2" adapter. See "Maximum Entry Size" on next page.

# Series 44 Banding Backshells

for Series 806 Mil-Aero Connectors

## 443V\*039 Banding Backshell, Shrouded Environmental



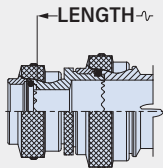
Shell Size	F Max. in	F Max. mm	G Max. in	G Max. mm	H Max. in	H Max. mm	J Max. in	J Max. mm
08	.63	16.0	1.03	26.2	.88	22.4	1.18	30.0
09	.64	16.3	1.03	26.2	.88	22.4	1.21	30.7
10	.67	17.0	1.06	26.9	.93	23.6	1.26	32.0
11	.68	17.3	1.09	27.7	.98	24.9	1.29	32.8
12	.70	17.8	1.10	27.9	.99	25.2	1.32	33.5
14	.72	18.3	1.10	27.9	.99	25.2	1.35	34.3
16	.76	19.3	1.13	28.7	1.05	26.7	1.41	35.8
18	.79	20.1	1.17	29.7	1.12	28.5	1.47	37.3
20	.83	21.1	1.20	30.4	1.18	30.0	1.53	38.9
22	.86	21.8	1.24	31.5	1.24	31.5	1.59	40.4
24	.91	23.1	1.29	32.8	1.30	33.0	1.67	42.4

### MAXIMUM ENTRY SIZE

If the selected entry size exceeds the maximum size in this table, the backshell will have a front adapter. This is called a **Style 2** backshell.

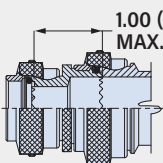
Shell Size	Max. Entry Size	Shell Size	Max. Entry Size
08	01	16	05
09	01	18	06
10	02	20	07
11	03	22	08
12	04	24	09
14	04		

### Style 2 Straight Backshell



Style 2 profile **S** straight backshell minimum length code is 4 (2 inches).

### Style 2 45° and 90° Backshells



For 45° and 90° backshells, the front adapter adds 1 inch.

### BAND

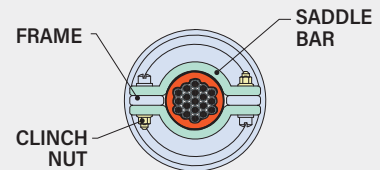
Micro band is included with backshell and provides fast, cost-effective and highly reliable termination of braided metallic shielding. The Band-Master ATS® Advanced Cable Shield Termination System is the overwhelming favorite throughout the military aerospace and defense industries, providing excellent static loading and corrosion resistance in electrical wire interconnect systems. Band is passivated stainless steel.



Entry Sizes	Pre-Coiled Band P/N	Length	Max Diameter
02 - 10	601-061	8.13 (206)	.88 (22.4)
10 - 20	601-065	14.25 (362)	1.88 (47.8)

### APPLICATION NOTE

This backshell has a **full radius** saddle clamp. This type of strain relief is designed to be fully closed. Saddle bars should be bottomed onto frame. Build up cable diameter with tape or sleeve to meet the diameter of the fully closed clamp.



**FULL RADIUS SADDLE CLAMP**  
FULL RADIUS CLAMPS SHOULD BE FULLY BOTTOMED ONTO FRAME.