



Series 44 Banding Backshells

for AS50151 Crimp, M26482 Series II, M83723 Series III, AS95234

447AS523 Banding/ Overmolding Adapter



Low Profile. Micro band. Direct coupling. 447AS523 banding/overmolding adapter fits AS50151 crimp (MS3450), AS95234, MIL-DTL-26482 Series II, MIL-DTL-83723 Series III connectors. Terminate cable braid shield to adapter with .120" width micro band (sold separately). Aluminum or stainless steel, silicone O-ring.

Adapter Code A
 AS50151 crimp, AS95234, MIL-DTL-26482 Ser. II, MIL-DTL-83723 Ser. III

PART NUMBER

447AS523 M 18

Base P/N	447AS523
Material/Finish	M Alum/ Electroless Nickel MT Alum/ Nickel-PTFE NF Alum/ Olive Drab Cadmium ZR Alum/ Black Zinc-Nickel TZ Alum/ Tin-Zinc ZI SST/ Passivated
Shell Size	08 10 12 14 16 18 20 22 24 28 32

BAND

Terminate cable braid to adapter with banding strap. Glenair's Band-Master ATS® banding system provides quick, easy, cost-effective and highly reliable termination of braid shield. Stainless steel.

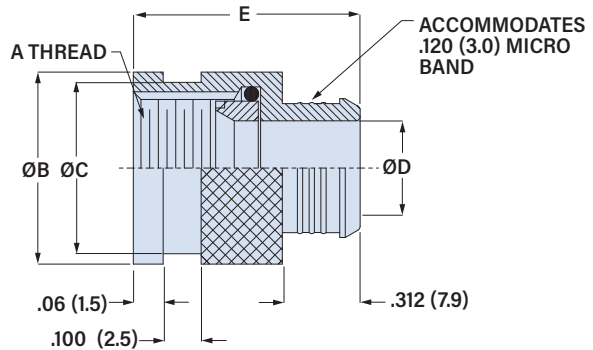


Micro Band



Hand Tool
601-101

Pre-Coiled Band P/N	Length	Max. Dia.
601-061	8.13 (206)	.88 (22.4)
601-065	14.25 (362)	1.80 (45.7)



Shell Size	A Thread Class 2B	± .015 (0.4)		± .015 (0.4)		± .015 (0.4)		E ± .03 (0.8)	
		in	mm	in	mm	in	mm	in	mm
08	0.500-20 UNF	.625	15.9	.562	14.3	.250	6.4	.880	22.4
10	0.625-24 UNEF	.750	19.1	.687	17.4	.375	9.5	.880	22.4
12	0.750-20 UNEF	.875	22.2	.812	20.6	.500	12.7	.880	22.4
14	0.875-20 UNEF	1.000	25.4	.937	23.8	.625	15.9	.880	22.4
16	1.000-20 UNEF	1.125	28.6	1.062	27.0	.750	19.1	.880	22.4
18	1.0625-18 UNEF	1.188	30.2	1.125	28.6	.875	22.2	.880	22.4
20	1.1875-18 UNEF	1.312	33.3	1.250	31.8	1.000	25.4	.880	22.4
22	1.3125-18 UNEF	1.438	36.5	1.375	34.9	1.125	28.6	.880	22.4
24	1.4375-18 UNEF	1.562	39.7	1.500	38.1	1.250	31.8	.880	22.4
28	1.750-18 UNS	1.937	49.2	1.875	47.6	1.500	38.1	1.060	26.9
32	2.000-18 UNS	2.250	57.2	2.188	55.6	1.750	44.5	1.060	26.9