



# Series 44 Banding Backshells

for MIL-DTL-38999 Series I and II Connectors

## 447FC659 Banding Backshell, Shrouded, Low Profile 90°



### Adapter Code **F**

This accessory fits these connectors:  
MIL-DTL-38999 Series I and Series II

### BAND

Terminate cable braid to EMI adapter with optional pre-coiled banding strap. Glenair's Band-Master ATS® banding system provides quick, easy, cost-effective and highly reliable termination of braid shield. Band is stainless steel.



Micro Band



Hand Tool  
601-101

| Entry Sizes | Pre-Coiled Band P/N | Length      | Max Diameter |
|-------------|---------------------|-------------|--------------|
| 10 - 16     | <b>601-061</b>      | 8.13 (206)  | .88 (22.4)   |
| 18 - 20     | <b>601-065</b>      | 14.25 (362) | 1.88 (47.8)  |

"Band-in-a-Can" shield termination. Low profile. Saddle clamp. 447F\*659 banding adapter fits MIL-DTL-38999 Series I and II connectors. "Cobra" style split construction with screw-on lid for easy wire routing. Terminate cable braid shield to banding platform with micro band strap. Saddle clamp provides cable strain relief. Aluminum. Saddle clamp hardware is passivated SST.

### PART NUMBER

**447FC659 M 18 14 K**

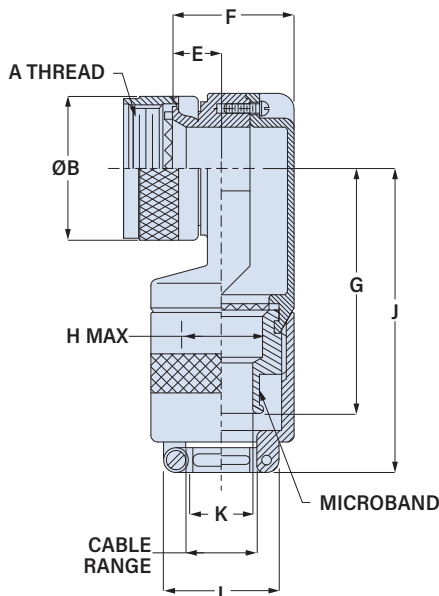
Base P/N **447FC659**

**Material/Finish**  
**M** Alum/ Electroless Nickel  
**MT** Alum/ Nickel-PTFE  
**NF** Alum/ Olive Drab Cadmium  
**ZR** Alum/ Black Zinc-Nickel  
**TZ** Alum/ Tin-Zinc

| Shell Size | Shell Size      |           |           |           |           |           |           |           |           |           |
|------------|-----------------|-----------|-----------|-----------|-----------|-----------|-----------|-----------|-----------|-----------|
|            | 38999 Series I  | 9         | 11        | 13        | 15        | 17        | 19        | 21        | 23        | 25        |
|            | 38999 Series II | 8         | 10        | 12        | 14        | 16        | 18        | 20        | 22        | 24        |
|            | Size Code       | <b>08</b> | <b>10</b> | <b>12</b> | <b>14</b> | <b>16</b> | <b>18</b> | <b>20</b> | <b>22</b> | <b>24</b> |

| Entry Size | Cable Range |             |             |         | Shell Sizes |
|------------|-------------|-------------|-------------|---------|-------------|
|            | Entry Size  | Inches Min. | Inches Max. | mm Min. |             |
| <b>10</b>  | .130        | .250        | 3.3         | 6.4     | 08-24       |
| <b>12</b>  | .250        | .380        | 6.4         | 9.7     | 10-24       |
| <b>14</b>  | .310        | .440        | 7.9         | 11.2    | 14-24       |
| <b>16</b>  | .375        | .630        | 9.5         | 16.0    | 16-24       |
| <b>18</b>  | .560        | .690        | 14.2        | 17.5    | 22-24       |
| <b>20</b>  | .630        | .750        | 16.0        | 19.1    | 22-24       |

**Band** Omit if not required  
**K** Pre-Coiled Band Included With Adapter



| Shell Size | A Thread UNEF-2B | øB Max in mm | E Ref. in mm | F Max. in mm | G Max. in mm | H Max. in mm | J Max. in mm | Max Entry Size |
|------------|------------------|--------------|--------------|--------------|--------------|--------------|--------------|----------------|
| 8/9        | 0.4375-28        | .650 16.5    | .34 8.6      | .681 17.3    | 1.62 41.1    | .25 6.4      | 2.12 53.8    | <b>10</b>      |
| 10/11      | 0.5625-24        | .770 19.6    | .27 6.9      | .731 18.6    | 1.78 45.2    | .38 9.5      | 2.28 57.9    | <b>12</b>      |
| 12/13      | 0.6875-24        | .890 22.6    | .27 6.9      | .731 18.6    | 1.78 45.2    | .38 9.5      | 2.28 57.9    | <b>12</b>      |
| 14/15      | 0.8125-20        | 1.020 25.9   | .28 7.1      | .831 21.1    | 1.85 47.0    | .50 12.7     | 2.35 59.7    | <b>14</b>      |
| 16/17      | 0.9375-20        | 1.150 29.2   | .42 10.7     | .981 24.9    | 1.90 48.3    | .63 15.9     | 2.40 61.0    | <b>16</b>      |
| 18/19      | 1.0625-18        | 1.230 31.2   | .64 16.3     | 1.181 30.0   | 1.93 49.0    | .63 15.9     | 2.43 61.7    | <b>16</b>      |
| 20/21      | 1.1875-18        | 1.360 34.5   | .64 16.3     | 1.181 30.0   | 1.93 49.0    | .63 15.9     | 2.43 61.7    | <b>16</b>      |
| 22/23      | 1.3125-18        | 1.480 37.6   | .54 13.7     | 1.181 30.0   | 2.08 52.8    | .75 19.1     | 2.58 65.5    | <b>20</b>      |
| 24/25      | 1.4375-18        | 1.730 43.9   | .54 13.7     | 1.181 30.0   | 2.08 52.8    | .75 19.1     | 2.58 65.5    | <b>20</b>      |

| Entry Size | ø K ±.03 (0.8) |      | Cable Range |          |             |         | Shell Sizes     |
|------------|----------------|------|-------------|----------|-------------|---------|-----------------|
|            | in             | mm   | L Max in    | L Max mm | Inches Min. | mm Min. |                 |
| <b>10</b>  | .22            | 5.6  | 1.00        | 25.4     | .130        | .250    | 3.3 6.4 08-24   |
| <b>12</b>  | .31            | 7.9  | 1.25        | 31.8     | .250        | .380    | 6.4 9.7 10-24   |
| <b>14</b>  | .44            | 11.2 | 1.34        | 34.0     | .310        | .440    | 7.9 11.2 14-24  |
| <b>16</b>  | .56            | 14.2 | 1.47        | 37.3     | .375        | .630    | 9.5 16.0 16-24  |
| <b>18</b>  | .63            | 16.0 | 1.56        | 38.1     | .560        | .690    | 14.2 17.5 22-24 |
| <b>20</b>  | .75            | 19.1 | 1.62        | 41.1     | .630        | .750    | 16.0 19.1 22-24 |