

Series 44 Banding Backshells

for MIL-DTL-38999 Series III and IV Connectors

447HS523 Banding/ Overmolding Adapter



Adapter Code **H**

This accessory fits these connectors:
MIL-DTL-38999 Series III and Series IV

BAND

Terminate cable braid to adapter with **banding strap**. Glenair's Band-Master ATS® banding system provides quick, easy, cost-effective and highly reliable termination of braid shield. Stainless steel.



Micro Band



Hand Tool
601-101

Pre-Coiled

Band P/N	Length	Max. Dia.
601-061	8.13 (206)	.88 (22.4)
601-065	14.25 (362)	1.80 (45.7)

Low Profile. Micro band. Environmental. 447HS523 banding/overmolding adapter fits MIL-DTL-38999 Series III and IV connectors. Terminate cable braid shield to adapter with .125" width micro band (sold separately). Aluminum or stainless steel, silicone O-ring.

PART NUMBER

447HS523

M

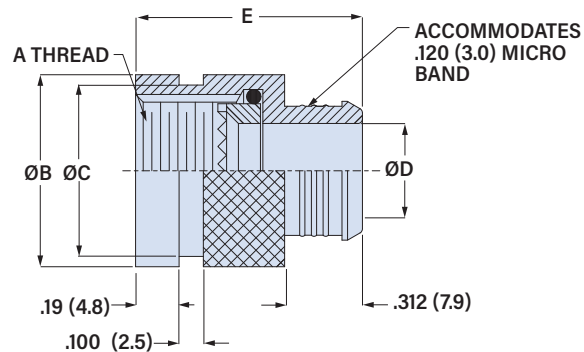
18

Base P/N **447HS523**

Material/Finish

- M** Alum/ Electroless Nickel
- MT** Alum/ Nickel-PTFE
- NF** Alum/ Olive Drab Cadmium
- ZR** Alum/ Black Zinc-Nickel
- TZ** Alum/ Tin-Zinc
- ZI** SST/ Passivated

Shell Size	Shell	9	11	13	15	17	19	21	23	25
	Size	A	B	C	D	E	F	G	H	J
	Size Code	09	11	13	15	17	19	21	23	25



Shell Size	A Thread	ØB		ØC		ØD		E	
		± .015 (0.4)	in mm	± .005 (0.13)	in mm	± .015 (0.4)	in mm	± .03 (0.8)	in mm
9 (A)	M12X1.0-6H	.625	15.9	.562	14.3	.250	6.4	.820	20.8
11 (B)	M15X1.0-6H	.750	19.1	.687	17.4	.375	9.5	.820	20.8
13 (C)	M18X1.0-6H	.875	22.2	.812	20.6	.500	12.7	.820	20.8
15 (D)	M22X1.0-6H	1.000	25.4	.937	23.8	.625	15.9	.820	20.8
17 (E)	M25X1.0-6H	1.125	28.6	1.062	27.0	.750	19.1	.820	20.8
19 (F)	M28X1.0-6H	1.250	31.8	1.188	30.2	.875	22.2	.820	20.8
21 (G)	M31X1.0-6H	1.375	34.9	1.312	33.3	1.000	25.4	.820	20.8
23 (H)	M34X1.0-6H	1.500	38.1	1.438	36.5	1.125	28.6	.820	20.8
25 (J)	M37X1.0-6H	1.625	41.3	1.562	39.7	1.250	31.8	.820	20.8