



# Series 62 Saddle Clamps

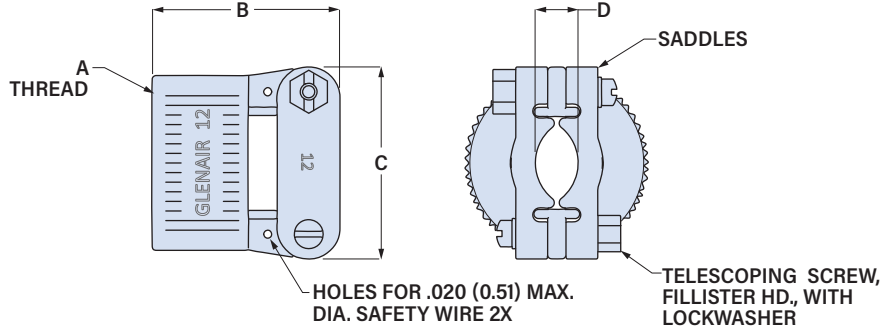
for AS50151 Solder Connectors

## 620-053H Saddle clamp

### 620-053 STYLE H SADDLE CLAMP



**Direct coupling.** Fits AS50151 solder connectors. Style H is a non-environmental heavy duty saddle clamp conforming to AS85049/42 and MS3057D. Aluminum or stainless steel.



**Adapter Code B**  
Fits AS50151 solder type general duty "A" endbells.

#### TABLE 1 FINISH CODES

Aluminum		Stainless Steel	
<b>C</b> Black Anodize		<b>Z1</b> Passivate	
<b>M</b> Electroless Nickel		<b>ZU</b> Black Cadmium	
<b>NF</b> Olive Drab Cadmium			
<b>MT</b> Nickel-PTFE			
<b>ZR</b> Black Zinc-Nickel			
<b>TZ</b> Tin-Zinc			

#### MATERIAL/FINISH

Body, saddles, coupling nut: aluminum or SST  
Screws, washers: stainless steel/passivated

Size	Ref. Connector Shell Size	Part Number * = Finish Code from Table 1	A Thread Class 2B	øB Max		C Max		D Cable Range			
				in	mm	in	mm	Min in	mm	Max in	mm
03	10SL, 12S, 12	620-053*04H	0.625-24 UNEF	1.312	33.3	.957	24.3	.125	3.2	.312	7.9
04	14S, 14	620-053*06H	0.750-20 UNEF	1.312	33.3	1.145	29.1	.250	6.4	.437	11.1
06	16S, 16	620-053*08H	0.875-20 UNEF	1.312	33.3	1.332	33.8	.312	7.9	.562	14.3
08	18	620-053*10H	1.000-20 UNEF	1.312	33.3	1.332	33.8	.350	8.9	.625	15.9
12	20, 22	620-053*12H	1.188-18 UNEF	1.344	34.1	1.551	39.4	.500	12.7	.750	19.1
16	24, 28	620-053*16H	1.438-18 UNEF	1.438	36.5	1.770	45.0	.625	15.9	.937	23.8
20	32	620-053*20H	1.750-18 UNS	1.625	41.3	2.113	53.7	.875	22.2	1.250	31.8
24	36	620-053*24H	2.000-18 UNS	1.688	42.9	2.363	60.0	1.000	25.4	1.375	34.9
28	40	620-053*28H	2.250-16 UN	1.938	49.2	2.770	70.4	1.250	31.8	1.625	41.3
32	44	620-053*32H	2.500-16 UN	1.938	49.2	3.020	76.7	1.437	36.5	1.875	47.6