

Series 62 Saddle Clamps

for AS50151 Crimp, M26482 Series II, M83723 Series III, AS95234

620A*046 Saddle Clamp, General Purpose

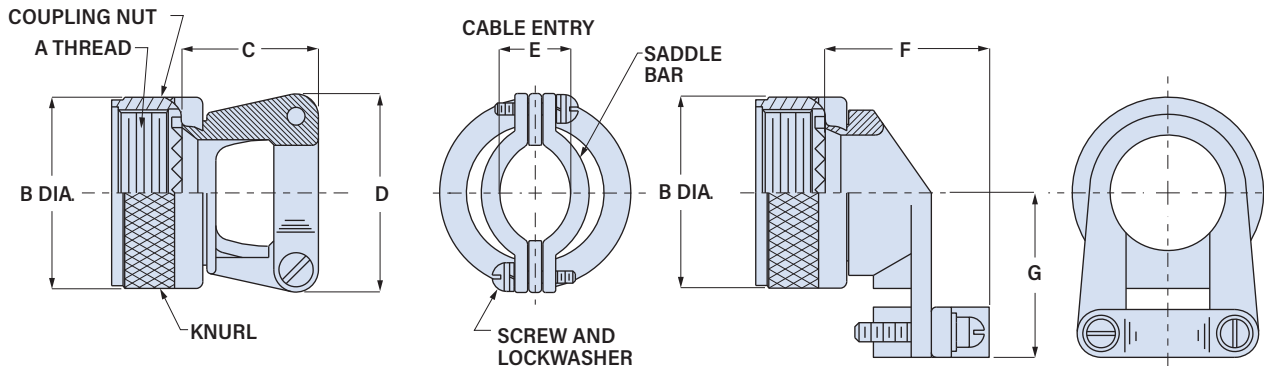


Spin coupling, general purpose. 620A*046 saddle clamp fits AS50151 crimp (MS3450), AS95234, MIL-DTL-26482 Series II, MIL-DTL-83723 Series III connectors. Aluminum coupling nut, frame and saddles. Stainless steel screws and washers.

Adapter Code **A**
 AS50151 crimp, AS95234, MIL-DTL-26482 Ser. II, MIL-DTL-83723 Ser. III

PART NUMBER

| | | | |
|-------------------|---|-----------|-----------|
| | 620AS046 | NF | 22 |
| Base P/N | 620AS046 Straight 620AA046 90° | | |
| Finish | C Black Anodize M Electroless Nickel MT Nickel-PTFE NF Olive Drab Cadmium ZR Black Zinc-Nickel TZ Tin-Zinc | | |
| Shell Size | 08 10 12 14 16 18 20 22 24 28 32 36 40 | | |



| Shell Size | A Thread Class 2B | øB Max. | | C Max. | | D Max. | | E Cable Entry | | | | F Max. | | G Max. | | Screw Size |
|------------|-------------------|---------|------|--------|------|--------|------|---------------|------|-------|-------|--------|------|--------|------|------------|
| | | in | mm | in | mm | in | mm | in | mm | in | mm | in | mm | in | mm | |
| 08 | 0.500-20 UNF | .65 | 16.5 | .63 | 16.0 | .782 | 19.9 | .125 | 3.2 | .204 | 5.2 | .78 | 19.8 | .808 | 20.5 | 6-32 |
| 10 | 0.625-24 UNEF | .77 | 19.6 | .74 | 18.8 | .862 | 21.9 | .187 | 4.8 | .286 | 7.3 | .86 | 21.8 | .867 | 22.0 | 6-32 |
| 12 | 0.750-20 UNEF | .94 | 23.9 | .86 | 21.8 | 1.003 | 25.5 | .291 | 7.4 | .416 | 10.6 | 1.05 | 26.7 | .929 | 23.6 | 6-32 |
| 14 | 0.875-20 UNEF | 1.07 | 27.2 | .86 | 21.8 | 1.061 | 26.9 | .351 | 8.9 | .476 | 12.1 | 1.11 | 28.2 | .992 | 25.2 | 6-32 |
| 16 | 1.000-20 UNEF | 1.21 | 30.7 | .99 | 25.2 | 1.334 | 33.9 | .501 | 12.7 | .625 | 15.9 | 1.26 | 32.0 | 1.056 | 26.8 | 6-32 |
| 18 | 1.0625-18 UNEF | 1.23 | 31.2 | 1.24 | 31.5 | 1.466 | 37.2 | .518 | 13.2 | .706 | 17.9 | 1.37 | 34.8 | 1.233 | 31.3 | 8-32 |
| 20 | 1.1875-18 UNEF | 1.36 | 34.5 | 1.36 | 34.5 | 1.572 | 39.9 | .581 | 14.8 | .831 | 21.1 | 1.50 | 38.1 | 1.296 | 32.9 | 8-32 |
| 22 | 1.3125-18 UNEF | 1.48 | 37.6 | 1.49 | 37.8 | 1.688 | 42.9 | .644 | 16.4 | .956 | 24.3 | 1.62 | 41.1 | 1.358 | 34.5 | 8-32 |
| 24 | 1.4375-18 UNEF | 1.73 | 43.9 | 1.61 | 40.9 | 1.790 | 45.5 | .706 | 17.9 | 1.081 | 27.5 | 1.75 | 44.5 | 1.420 | 36.1 | 8-32 |
| 28 | 1.750-18 UNS | 1.97 | 50.0 | 1.76 | 44.7 | 2.035 | 51.7 | .750 | 19.1 | 1.187 | 30.15 | 1.89 | 48.0 | 1.634 | 41.5 | ¼-20 |
| 32 | 2.000-18 UNS | 2.22 | 56.4 | 1.95 | 49.5 | 2.386 | 60.6 | .875 | 22.2 | 1.250 | 31.8 | 1.95 | 49.5 | 1.859 | 47.2 | ¼-20 |
| 36 | 2.250-16 UN | 2.47 | 62.7 | 2.33 | 59.2 | 2.496 | 63.4 | .938 | 23.8 | 1.375 | 34.9 | 2.07 | 52.6 | 1.984 | 50.4 | ¼-20 |
| 40 | 2.500-16 UN | 2.72 | 69.1 | 2.51 | 63.8 | 2.566 | 65.2 | .938 | 23.8 | 1.500 | 38.1 | 2.20 | 55.9 | 2.109 | 53.6 | ¼-20 |