

Series 62 Saddle Clamps

for MIL-DTL-38999 Series I and II Connectors

620F*042 Saddle Clamp, Composite



Self-Locking

Adapter Code F

This accessory fits these connectors:
MIL-DTL-38999 Series I and Series II

MATERIAL/FINISH

Coupling nut, saddles: polyetherimide (PEI), unplated
Clamp Body: polyetherimide (PEI)/finish per PN
Screws, washers: stainless steel/passivated
Anti-decoupling spring: thermoplastic

Self-locking. Full radius saddles. Lightweight, corrosion-free composite saddle clamp fits MIL-DTL-38999 Series I and II connectors. For use with open bundle wiring harnesses and closed bundle (jacketed) harnesses. Anti-decoupling mechanism provides audible detented coupling and prevents backoff under high vibration. Telescoping screws. Full radius saddles are intended to be bottomed onto frame. High temperature thermoplastic. Straight, 45° and 90° profiles.

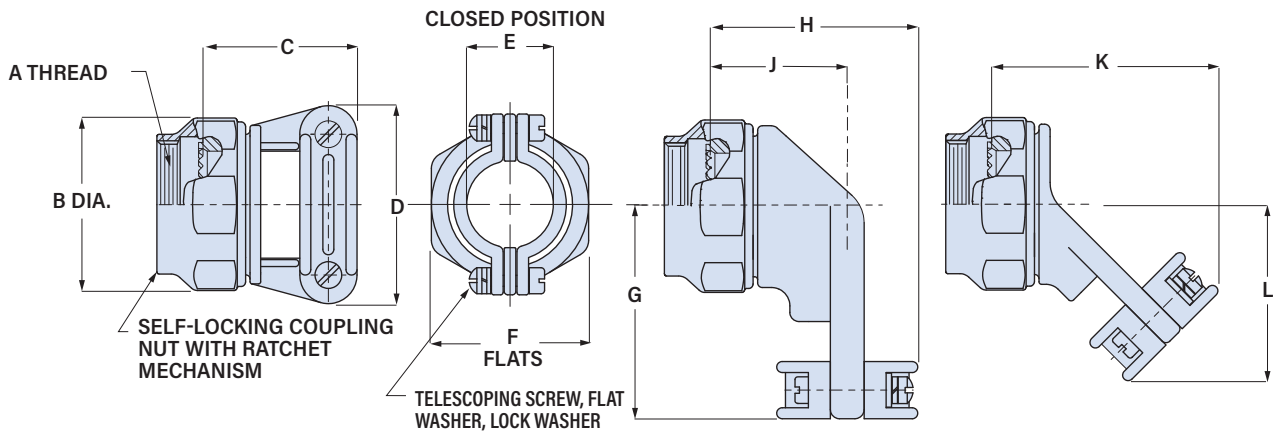
PART NUMBER

620FS042 XM 08

Base P/N
620FS042 Straight
620FB042 45°
620FA042 90°

Clamp Body Finish
XM Electroless Nickel
XW Olive Drab Cadmium
XB Unplated, Black Color
XO Unplated, Natural (amber) Color
XZN Black Zinc-Nickel

| Size Code | Shell Size | | | | | | | | | |
|-----------------|----------------|----|----|----|----|----|----|----|----|----|
| | 38999 Series I | 9 | 11 | 13 | 15 | 17 | 19 | 21 | 23 | 25 |
| 38999 Series II | 8 | 10 | 12 | 14 | 16 | 18 | 20 | 22 | 24 | |
| Size Code | 08 | 10 | 12 | 14 | 16 | 18 | 20 | 22 | 24 | |



| Shell Size | A Thread UNEF-2B | øB Max | | C ± .06(1.5) | | D ± .06(1.5) | | E ± .03(0.8) | | F Flats (ref) | | G ± .06(1.5) | | H ± .06(1.5) | | J Ref | | K Max | | L Max | |
|------------|------------------|--------|------|--------------|------|--------------|------|--------------|------|---------------|------|--------------|------|--------------|------|-------|------|-------|------|-------|------|
| | | in | mm | in | mm | in | mm | in | mm | in | mm | in | mm | in | mm | in | mm | in | mm | in | mm |
| 8, 9 | 0.4375-28 | .86 | 21.8 | .80 | 20.3 | .88 | 22.4 | .218 | 5.5 | .75 | 19.1 | .88 | 22.4 | .86 | 21.8 | .63 | 16.0 | 1.32 | 33.5 | .90 | 22.9 |
| 10, 11 | 0.5625-24 | .98 | 24.9 | .88 | 22.4 | .94 | 23.9 | .264 | 6.7 | .88 | 22.4 | .94 | 23.9 | .91 | 23.1 | .65 | 16.5 | 1.35 | 34.3 | .96 | 24.4 |
| 12, 13 | 0.6875-24 | 1.16 | 29.5 | 1.00 | 25.4 | 1.17 | 29.7 | .345 | 8.8 | 1.00 | 25.4 | 1.03 | 26.2 | 1.02 | 25.9 | .71 | 18.0 | 1.43 | 36.3 | 1.05 | 26.7 |
| 14, 15 | 0.8125-20 | 1.28 | 32.5 | 1.00 | 25.4 | 1.28 | 32.5 | .461 | 11.7 | 1.13 | 28.7 | 1.13 | 28.7 | 1.13 | 28.7 | .76 | 19.3 | 1.48 | 37.6 | 1.11 | 28.2 |
| 16, 17 | 0.9375-20 | 1.41 | 35.8 | 1.13 | 28.7 | 1.41 | 35.8 | .544 | 13.8 | 1.25 | 31.8 | 1.31 | 33.3 | 1.26 | 32.0 | .80 | 20.3 | 1.58 | 40.1 | 1.17 | 29.7 |
| 18, 19 | 1.0625-18 | 1.52 | 38.6 | 1.19 | 30.2 | 1.50 | 38.1 | .614 | 15.6 | 1.38 | 35.1 | 1.38 | 35.1 | 1.31 | 33.3 | .83 | 21.1 | 1.70 | 43.2 | 1.23 | 31.2 |
| 20, 21 | 1.1875-18 | 1.64 | 41.7 | 1.25 | 31.8 | 1.56 | 39.6 | .697 | 17.7 | 1.50 | 38.1 | 1.50 | 38.1 | 1.37 | 34.8 | .90 | 22.9 | 1.74 | 44.2 | 1.29 | 32.8 |
| 22, 23 | 1.3125-18 | 1.77 | 45.0 | 1.38 | 35.1 | 1.69 | 42.9 | .780 | 19.8 | 1.63 | 41.4 | 1.63 | 41.4 | 1.45 | 36.8 | .94 | 23.9 | 1.79 | 45.5 | 1.36 | 34.5 |
| 24, 25 | 1.4375-18 | 1.89 | 48.0 | 1.50 | 38.1 | 1.82 | 46.2 | .850 | 21.6 | 1.75 | 44.5 | 1.75 | 44.5 | 1.52 | 38.6 | .97 | 24.6 | 1.83 | 46.5 | 1.41 | 35.8 |