

# Series 62 Saddle Clamps

for MIL-DTL-38999 Series III and IV Connectors

## 620H\*042 Saddle Clamp, Composite



**Self-Locking**

**Self-locking. Full radius saddles.** Lightweight, corrosion-proof composite saddle clamp fits MIL-DTL-38999 Series III and IV connectors. For use with open bundle wiring harnesses and closed bundle (jacketed) harnesses. Anti-decoupling mechanism provides audible detented coupling and prevents backoff under high vibration. Telescoping screws. Full radius saddles are intended to be bottomed onto frame. High temperature thermoplastic. Straight, 45° and 90° profiles.

**Adapter Code H**

This accessory fits these connectors:  
MIL-DTL-38999 Series III and Series IV

### MATERIAL/FINISH

Coupling nut, saddles: polyetherimide (PEI), unplated  
Clamp Body: polyetherimide (PEI)/finish per PN  
Screws, washers: stainless steel/passivated  
Anti-decoupling spring: thermoplastic

### PART NUMBER

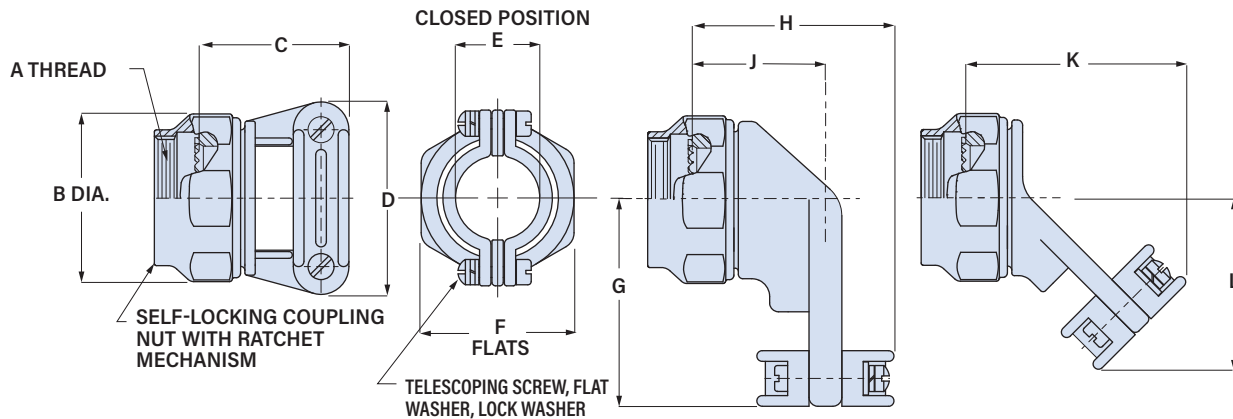
620HA042 XZN 13

**Base P/N**  
620HS042 Straight  
620HB042 45°  
620HA042 90°

**Clamp Body Finish**  
XM Electroless Nickel  
XW Olive Drab Cadmium  
XB Unplated, Black Color  
XO Unplated, Natural (amber) Color  
XZN Black Zinc-Nickel

**Size Code**

Shell Size	9	11	13	15	17	19	21	23	25
A	B	C	D	E	F	G	H	J	
Size Code	09	11	13	15	17	19	21	23	25



Shell Size	A Thread	øB Max in	mm	C ±.06(1.5) in	mm	D ±.06(1.5) in	mm	E ±.03(0.8) in	mm	F Flats (ref) in	mm	G ±.06(1.5) in	mm	H ±.06(1.5) in	mm	J Ref in	mm	K Max in	mm	L Max in	mm
9 (A)	M12X1.0-6H	.86	21.8	.80	20.3	.88	22.4	.218	5.5	.75	19.1	.88	22.4	.86	21.8	.63	16.0	1.32	33.5	.90	22.9
11 (B)	M15X1.0-6H	.98	24.9	.88	22.4	.94	23.9	.264	6.7	.88	22.4	.94	23.9	.91	23.1	.65	16.5	1.35	34.3	.96	24.4
13 (C)	M18X1.0-6H	1.16	29.5	1.00	25.4	1.17	29.7	.345	8.8	1.00	25.4	1.03	26.2	1.02	25.9	.71	18.0	1.43	36.3	1.05	26.7
15 (D)	M22X1.0-6H	1.28	32.5	1.00	25.4	1.28	32.5	.461	11.7	1.13	28.7	1.13	28.7	1.13	28.7	.76	19.3	1.48	37.6	1.11	28.2
17 (E)	M25X1.0-6H	1.41	35.8	1.13	28.7	1.41	35.8	.544	13.8	1.25	31.8	1.31	33.3	1.26	32.0	.80	20.3	1.58	40.1	1.17	29.7
19 (F)	M28X1.0-6H	1.52	38.6	1.19	30.2	1.50	38.1	.614	15.6	1.38	35.1	1.38	35.1	1.31	33.3	.83	21.1	1.70	43.2	1.23	31.2
21 (G)	M31X1.0-6H	1.64	41.7	1.25	31.8	1.56	39.6	.697	17.7	1.50	38.1	1.50	38.1	1.37	34.8	.90	22.9	1.74	44.2	1.29	32.8
23 (H)	M34X1.0-6H	1.77	45.0	1.38	35.1	1.69	42.9	.780	19.8	1.63	41.4	1.63	41.4	1.45	36.8	.94	23.9	1.79	45.5	1.36	34.5
25 (J)	M37X1.0-6H	1.89	48.0	1.50	38.1	1.82	46.2	.850	21.6	1.75	44.5	1.75	44.5	1.52	38.6	.97	24.6	1.83	46.5	1.41	35.8