

Series 62 Saddle Clamps

for Series 80 Mighty Mouse Connectors

620M*065 Saddle Clamp, General Purpose, Spin Coupling



Full radius saddles. Straight, 45° or 90°. Spin coupling. Saddle clamp fits Series 80 Mighty Mouse connectors. Aluminum or stainless steel. Full radius saddles should be fully closed onto frame. Apply silicone tape or resilient bushing to wire bundle to build up diameter to fit the saddles.

PART NUMBER

620MS065 M 13

Base P/N
620MS065 Straight
620MA065 90°
620MB065 45°

Material/Finish
C Alum/Black Anodize
M Alum/Electroless Nickel
MT Alum/Nickel-PTFE
NF Alum/Olive Drab Cadmium
ZR Alum/Black Zinc-Nickel
TZ Alum/Tin-Zinc
ZI SST/Passivated

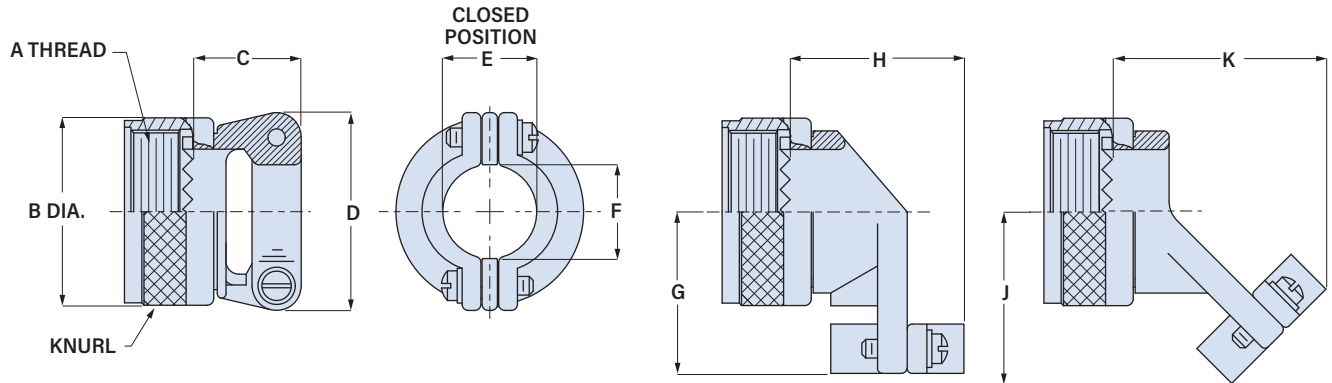
Size Code **05 06 07 08 09 10 11 12 13 14 16 17**
 See table below for size code

Adapter Code M

This accessory fits Series 80 Mighty Mouse Connectors

MATERIAL/FINISH

Body, saddles, coupling nut: aluminum or SST/ finish per PN Build
 Screws, washers: stainless steel/passivated



Size Code	Shell Size		A Thread UNEF-2B	øB Max.		C Max.		D		E Closed		F		G		H		J		K	
	Series 800, 801, 803, 804	Series 805		in	mm	in	mm	in	mm	in	mm	in	mm	in	mm	in	mm	in	mm	in	mm
05	5	N/A	0.250-32	.350	8.9	.688	17.5	.496	12.6	.11	2.8	.119	3.1	.551	14.0	.613	15.6	.511	13.0	.806	20.5
06	6	N/A	0.3125-32	.415	10.5	.688	17.5	.582	14.8	.17	4.3	.182	4.6	.582	14.8	.675	17.2	.542	13.8	.850	21.6
11	N/A	8	0.3750-32	.465	11.8	.688	17.5	.582	14.8	.17	4.3	.182	4.6	.602	15.3	.675	17.2	.562	14.3	.850	21.6
07	7	9	0.4375-28	.530	13.5	.688	17.5	.656	16.7	.23	5.8	.244	6.2	.632	16.1	.675	17.2	.592	15.0	.850	21.6
08	8	10	0.500-28	.595	15.1	.688	17.5	.726	18.4	.30	7.6	.307	7.8	.662	16.8	.743	18.9	.622	15.8	.887	22.5
09	9	11	0.5625-24	.650	16.5	.750	19.1	.726	18.4	.30	7.6	.307	7.8	.691	17.6	.743	18.9	.651	16.5	.887	22.5
10	10	12	0.625-24	.715	18.2	.750	19.1	.885	22.5	.36	9.1	.369	9.4	.846	21.5	.805	20.5	.770	19.6	1.018	25.9
12	11, 12, 13	13	0.6875-24	.785	19.9	.750	19.1	.952	24.2	.42	10.7	.432	11.0	.881	22.4	.868	22.1	.805	20.5	1.061	27.0
13	N/A	15	0.750-20	.830	21.1	.750	19.1	.952	24.2	.42	10.7	.432	11.0	.921	23.4	.868	22.1	.855	21.7	1.091	27.7
14	14, 15, 16, 17	18, 19	0.9375-20	1.020	25.9	.750	19.1	1.018	25.9	.48	12.2	.494	12.6	.998	25.4	.993	25.2	.922	23.4	1.146	29.1
15	14, 15, 16, 17	18, 19	0.9375-20	1.020	25.9	.750	19.1	1.148	29.2	.61	15.5	.619	15.7	1.060	26.9	1.055	26.8	.984	25.0	1.208	30.7
16	19	21	1.0625-18	1.155	29.3	.750	19.1	1.273	32.3	.73	18.5	.744	18.9	1.090	27.7	1.243	31.6	.950	24.1	1.325	33.7
17	21	23	1.1875-18	1.280	32.5	.750	19.1	1.400	35.6	.86	21.8	.869	22.1	1.151	29.2	1.312	33.3	1.042	26.5	1.495	38.0