

# Series 66 Protective Covers

for MIL-DTL-28840 Connectors

## 660-011 Receptacle Cover

### M28840 Receptacle Cover



660-011 protective cover fits MIL-DTL-28840 receptacle connectors. Aluminum or stainless steel, with stainless steel fittings and bayonet pins.

**TABLE 1 MATERIAL / FINISH**

Aluminum	Stainless Steel
<b>C</b> Black Anodize	<b>Z1</b> Passivate
<b>M</b> Electroless Nickel	<b>ZU</b> Black Cadmium
<b>NF</b> Olive Drab Cadmium	
<b>MT</b> Nickel-PTFE	
<b>ZR</b> Black Zinc-Nickel	
<b>TZ</b> Tin-Zinc	

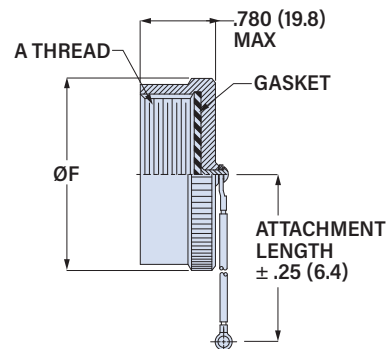
**TABLE 2 ATTACHMENT TYPE**

<b>D</b>		<b>SST Bead Chain</b> .125 (3.2) diameter, size 6, -65 to +200 °C
<b>F</b>		<b>Wire Rope, Blue Nylon Jacket</b> 6/6 nylon over stainless steel rope, fair flexibility, good abrasion resistance, -55 to +100 °C
<b>G</b>		<b>Black Nylon Rope</b> Very flexible, good abrasion and fuel resistance, .094 (2.4) diameter, -55 to +100 °C
<b>H</b>		<b>Wire Rope, Clear FEP Jacket</b> Clear FEP jacket over SST rope, fair flexibility, good abrasion resistance, .100" diameter, -65 to +200 °C
<b>S</b>		<b>Sash Chain</b> #8 sash chain, stainless steel. Length tolerance is ± one link.280 (71)
<b>SK</b>		<b>Nylon Rope with Slip Knot</b> Very flexible, good abrasion and fuel resistance, .094 (2.4) diameter. Length includes .5" (13mm) dia. loop, -55 to +100 °C
<b>T</b>		<b>SST Wire Rope, No Jacket</b> Good flexibility, good abrasion resistance, .047 (1.2) diameter, passivated, -65 to +200 °C
<b>U</b>		<b>Wire Rope, Black Polyurethane</b> Stainless steel rope with black polyurethane coating, flexible, excellent abrasion resistance and resistance to fuels, .080" (2mm) diameter, -55 to +125 °C

### PART NUMBER

<b>660-011</b>	<b>NF</b>	<b>D</b>	<b>S</b>	<b>5</b>	<b>-04</b>					
<b>Base P/N</b>	<b>660-011</b>									
<b>Material/Finish</b>	See Table 1									
<b>Shell Size</b>	Shell Size (Ref.)	11	13	15	17	19	23	25	29	33
	Size Code	<b>A</b>	<b>B</b>	<b>C</b>	<b>D</b>	<b>E</b>	<b>F</b>	<b>G</b>	<b>H</b>	<b>J</b>
<b>Attachment Type</b>	<b>N</b> No Attachment See Table 2 for Attachment Types									
<b>Attachment Length</b>	Omit for Attachment Type N Length in One Inch Increments									
<b>Attachment Ring</b>	Omit for Attachment Types N and SK <b>-00</b> No Ring See Table 3 for Attachment Ring Codes									

Shell Size	A Thread Class 2B	F Max In.	F Max mm.
11 (A)	.750-1P-2L-D.S.	1.028	26.1
13 (B)	.875-1P-2L-D.S.	1.141	29.0
15 (C)	1.062-1P-2L-D.S.	1.263	32.1
17 (D)	1.125-1P-2L-D.S.	1.387	35.2
19 (E)	1.312-1P-2L-D.S.	1.513	38.4
23 (F)	1.500-1P-2L-D.S.	1.703	43.3
25 (G)	1.625-1P-2L-D.S.	1.825	46.4
29 (H)	1.812-1P-2L-D.S.	2.143	54.4
33 (J)	2.000-1P-2L-D.S.	2.329	59.2



**TABLE 3 ATTACHMENT RING**

EYELET		STYLE A RING		STYLE B RING		SPLIT RING	
<b>Code</b>	<b>Eyelet I.D.</b> ± .010 (0.3)	<b>Code</b>	<b>Ring I.D.</b> ± .015 (0.4)	<b>Code</b>	<b>Ring I.D.</b> ± .015 (0.4)	<b>Code</b>	<b>Ring I.D.</b> ± .015 (0.4)
<b>-06</b>	.125 (3.2)	<b>-095</b>	.312 (7.9)	<b>-10</b>	.593 (15.1)	<b>-50</b>	.425 (10.8)
<b>-01</b>	.140 (3.6)	<b>-100</b>	.391 (9.9)	<b>-12</b>	.718 (18.2)	<b>-52</b>	.485 (12.3)
<b>-09</b>	.156 (4.0)	<b>-101</b>	.516 (13.1)	<b>-13</b>	.765 (19.4)	<b>-54</b>	.640 (16.3)
<b>-05</b>	.167 (4.2)	<b>-103</b>	.641 (16.3)	<b>-14</b>	.844 (21.4)	<b>-56</b>	.750 (19.1)
<b>-02</b>	.182 (4.6)	<b>-104</b>	.708 (18.0)	<b>-15</b>	.890 (22.6)	<b>-58</b>	.890 (22.6)
<b>-03</b>	.191 (4.9)	<b>-105</b>	.766 (19.5)	<b>-17</b>	1.015 (25.8)	<b>-60</b>	1.015 (25.8)
<b>-04</b>	.197 (5.0)	<b>-106</b>	.896 (22.8)	<b>-19</b>	1.140 (29.0)	<b>-62</b>	1.095 (27.8)
<b>-07</b>	.218 (5.5)	<b>-107</b>	1.016 (25.8)	<b>-20</b>	1.203 (30.6)	<b>-64</b>	1.130 (28.7)
		<b>-108</b>	1.141 (29.0)	<b>-21</b>	1.265 (32.1)	<b>-66</b>	1.250 (31.8)
		<b>-208</b>	1.203 (30.6)	<b>-22</b>	1.343 (34.1)	<b>-68</b>	1.350 (34.3)
		<b>-109</b>	1.266 (32.2)	<b>-24</b>	1.484 (37.7)	<b>-70</b>	1.375 (34.9)
		<b>-110</b>	1.391 (35.3)	<b>-27</b>	1.640 (41.7)	<b>-72</b>	1.485 (37.7)
		<b>-111</b>	1.521 (38.6)	<b>-29</b>	1.765 (44.8)	<b>-74</b>	1.625 (41.3)
		<b>-112</b>	1.641 (41.7)	<b>-30</b>	1.890 (48.0)	<b>-76</b>	1.750 (44.5)
		<b>-113</b>	1.766 (44.9)	<b>-31</b>	1.953 (49.6)	<b>-80</b>	1.980 (50.3)
		<b>-114</b>	1.891 (48.0)	<b>-33</b>	2.077 (52.8)	<b>-84</b>	2.235 (56.8)
		<b>-115</b>	2.078 (52.8)	<b>-36</b>	2.187 (55.5)	<b>-86</b>	2.310 (58.7)
		<b>-116</b>	2.406 (61.1)	<b>-40</b>	2.406 (61.1)	<b>-88</b>	2.475 (62.9)
		<b>-117</b>	2.510 (63.8)	<b>-44</b>	2.656 (67.5)	<b>-90</b>	2.655 (67.4)
		<b>CABLE TIE</b>					
		<b>-WS</b>					
		Black 6/6 nylon cable tie 1.77 (45.0) max. wire bundle dia.					