

Series 66 Protective Covers

for MIL-DTL-83723 Series III Connectors

660-019 Plug Cover, Bayonet Coupling

M83723/III Plug Cover, Bayonet



660-019 protective cover fits MIL-DTL-83723 Series III bayonet plug connectors. Aluminum or stainless steel, with stainless steel fittings and bayonet pins. Silicone gasket.

TABLE 1 MATERIAL / FINISH

Aluminum	Stainless Steel
C Black Anodize	Z1 Passivate
M Electroless Nickel	
NF Olive Drab Cadmium	
MT Nickel-PTFE	
ZR Black Zinc-Nickel	
TZ Tin-Zinc	

TABLE 2 ATTACHMENT TYPE

D		SST Bead Chain .125 (3.2) diameter, size 6, -65 to +200 °C
F		Wire Rope, Blue Nylon Jacket 6/6 nylon over stainless steel rope, fair flexibility, good abrasion resistance, -55 to +100 °C
G		Black Nylon Rope Very flexible, good abrasion and fuel resistance, .094 (2.4) diameter, -55 to +100 °C
H		Wire Rope, Clear FEP Jacket Clear FEP jacket over SST rope, fair flexibility, good abrasion resistance, .100" diameter, -65 to +200 °C
S		Sash Chain #8 sash chain, stainless steel. Length tolerance is ± one link. .280 (Z1)
SK		Nylon Rope with Slip Knot Very flexible, good abrasion and fuel resistance, .094 (2.4) diameter. Length includes .5" (13mm) dia. loop, -55 to +100 °C
T		SST Wire Rope, No Jacket Good flexibility, good abrasion resistance, .047 (1.2) diameter, passivated, -65 to +200 °C
U		Wire Rope, Black Polyurethane Stainless steel rope with black polyurethane coating, flexible, excellent abrasion resistance and resistance to fuels, .080" (2mm) diameter, -55 to +125 °C

PART NUMBER

	660-019	M	18	S	4	-60
Base P/N	660-019					
Material/Finish	See Table 1					
Shell Size	08 10 12 14 16 18 20 22 24					
Attachment Type	N No Attachment See Table 2 for Attachment Types					
Attachment Length	Omit for Attachment Type N Length in One Inch Increments					
Attachment Ring	Omit for Attachment Types N and SK -00 No Ring See Table 3 for Attachment Ring Codes					

Shell Size	ø F Max In.	mm.	ø G In.	mm.
08	.776	19.7	.536	13.6
10	.906	23.0	.659	16.7
12	1.078	27.4	.829	21.1
14	1.141	29.0	.898	22.8
16	1.266	32.2	1.025	26.0
18	1.375	34.9	1.131	28.7
20	1.510	38.4	1.256	31.9
22	1.625	41.3	1.381	35.1
24	1.760	44.7	1.506	38.3

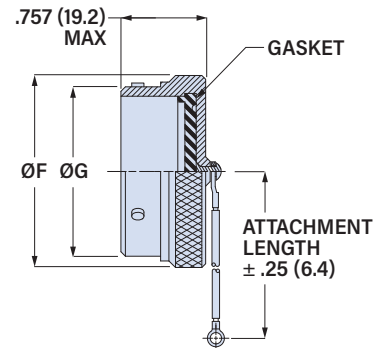


TABLE 3 ATTACHMENT RING

EYELET		STYLE A RING		STYLE B RING		SPLIT RING	
Code	Eyelet I.D. ±.010 (0.3)	Code	Ring I.D. ±.015 (0.4)	Code	Ring I.D. ±.015 (0.4)	Code	Ring I.D. ±.015 (0.4)
-06	.125 (3.2)	-095	.312 (7.9)	-10	.593 (15.1)	-50	.425 (10.8)
-01	.140 (3.6)	-100	.391 (9.9)	-12	.718 (18.2)	-52	.485 (12.3)
-09	.156 (4.0)	-101	.516 (13.1)	-13	.765 (19.4)	-54	.640 (16.3)
-05	.167 (4.2)	-103	.641 (16.3)	-14	.844 (21.4)	-56	.750 (19.1)
-02	.182 (4.6)	-104	.708 (18.0)	-15	.890 (22.6)	-58	.890 (22.6)
-03	.191 (4.9)	-105	.766 (19.5)	-17	1.015 (25.8)	-60	1.015 (25.8)
-04	.197 (5.0)	-106	.896 (22.8)	-19	1.140 (29.0)	-62	1.095 (27.8)
-07	.218 (5.5)	-107	1.016 (25.8)	-20	1.203 (30.6)	-64	1.130 (28.7)
		-108	1.141 (29.0)	-21	1.265 (32.1)	-66	1.250 (31.8)
		-208	1.203 (30.6)	-22	1.343 (34.1)	-68	1.350 (34.3)
		-109	1.266 (32.2)	-24	1.484 (37.7)	-70	1.375 (34.9)
		-110	1.391 (35.3)	-27	1.640 (41.7)	-72	1.485 (37.7)
		-111	1.521 (38.6)	-29	1.765 (44.8)	-74	1.625 (41.3)
		-112	1.641 (41.7)	-30	1.890 (48.0)	-76	1.750 (44.5)
		-113	1.766 (44.9)	-31	1.953 (49.6)	-80	1.980 (50.3)
		-114	1.891 (48.0)	-33	2.077 (52.8)	-84	2.235 (56.8)
		-115	2.078 (52.8)	-36	2.187 (55.5)	-86	2.310 (58.7)
		-116	2.406 (61.1)	-40	2.406 (61.1)	-88	2.475 (62.9)
		-117	2.510 (63.8)	-44	2.656 (67.5)	-90	2.655 (67.4)
CABLE TIE							
-WS	Black 6/6 nylon cable tie 1.77 (45.0) max. wire bundle dia.						