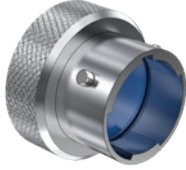


# Series 66 Protective Covers

for Series 803 Mighty Mouse Connectors

## 660-082 Plug Cover

### MM803 Plug Cover



660-083 protective cover fits Glenair Series 803 bayonet plug connectors. Aluminum or stainless steel, with stainless steel fittings. Fluorosilicone gasket.

**TABLE 1 MATERIAL / FINISH**

Aluminum		Stainless Steel
-M	Electroless Nickel	-Z1 Passivated
-NF	Olive Drab Cadmium Nickel over Electroless Nickel Finish	
-ZN	Olive-Drab, Zinc Nickel Finish	
-C	Black Anodize Finish	
-ZNU	Black Zinc-Nickel Finish	

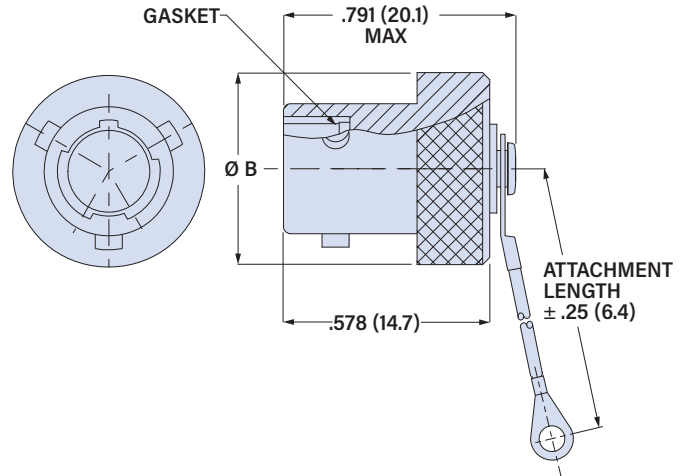
**TABLE 2 ATTACHMENT TYPE**

<b>D</b>	 <b>SST Bead Chain</b> .125 (3.2) diameter, size 6, -65 to +200 °C
<b>F</b>	 <b>Wire Rope, Blue Nylon Jacket</b> 6/6 nylon over stainless steel rope, fair flexibility, good abrasion resistance, -55 to +100 °C
<b>G</b>	 <b>Black Nylon Rope</b> Very flexible, good abrasion and fuel resistance, .094 (2.4) diameter, -55 to +100 °C
<b>H</b>	 <b>Wire Rope, Clear FEP Jacket</b> Clear FEP jacket over SST rope, fair flexibility, good abrasion resistance, .100" diameter, -65 to +200 °C
<b>S</b>	 <b>Sash Chain</b> #8 sash chain, stainless steel. Length tolerance is ± one link .280 (Z1)
<b>SK</b>	 <b>Nylon Rope with Slip Knot</b> Very flexible, good abrasion and fuel resistance, .094 (2.4) diameter. Length includes .5" (13mm) dia. loop, -55 to +100 °C
<b>T</b>	 <b>SST Wire Rope, No Jacket</b> Good flexibility, good abrasion resistance, .047 (1.2) diameter, passivated, -65 to +200 °C
<b>U</b>	 <b>Wire Rope, Black Polyurethane</b> Stainless steel rope with black polyurethane coating, flexible, excellent abrasion resistance and resistance to fuels, .080" (2mm) diameter, -55 to +125 °C




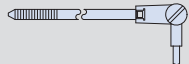
### PART NUMBER

<b>Base P/N</b>	<b>660-082</b>	<b>-M</b>	<b>S</b>	<b>12</b>	<b>04</b>	<b>-5</b>
<b>Material/Finish</b>	See Table 1					
<b>Attachment Type</b>	<b>N</b> No Attachment See Table 2 for Attachment Types					
<b>Shell Size</b>	<b>5 6 7 8 9 10 12 14 15</b>					
<b>Attachment Ring</b>	Omit for Attachment Types N and SK <b>-00</b> No Ring See Table 3 for Attachment Ring Codes					
<b>Attachment Length</b>	Omit for Attachment Type N Length in One Inch Increments					

Shell Size	ø B Max In.	mm.
5	.620	15.7
6	.620	15.7
7	.620	15.7
8	.690	17.5
9	.760	19.3
10	.850	21.6
12	.940	23.8
14	1.170	29.7
15	1.170	29.7



**TABLE 3 ATTACHMENT RING**

EYELET		SOLID RING		SPLIT RING	CABLE TIE
					
<b>Code</b>	<b>Eyelet I.D.</b>	<b>Code</b>	<b>Ring I.D.</b>	<b>Code</b>	<b>Ring I.D.</b>
<b>01</b>	.125 (3.2)	<b>32</b>	.265 (6.7)	<b>19</b>	.885 (22.5)
<b>02</b>	.145 (3.7)	<b>29</b>	.315 (8.0)	<b>26</b>	.950 (24.1)
<b>04</b>	.182 (4.6)	<b>14</b>	.385 (9.8)	<b>28</b>	1.015 (25.8)
<b>06</b>	.197 (5.0)	<b>15</b>	.445 (11.3)	<b>20</b>	1.070 (27.2)
		<b>33</b>	.510 (13.0)	<b>21</b>	1.135 (28.8)
		<b>16</b>	.570 (14.5)	<b>22</b>	1.210 (30.7)
		<b>17</b>	.635 (16.1)	<b>23</b>	1.275 (32.4)
		<b>18</b>	.695 (17.7)	<b>24</b>	1.380 (35.1)
		<b>27</b>	.766 (19.5)	<b>30</b>	1.380 (35.1)
		<b>31</b>	.820 (20.8)	<b>25</b>	1.530 (38.9)
				<b>50</b>	.432 (11.0)
				<b>52</b>	.492 (12.5)
				<b>54</b>	.648 (16.5)
				<b>56</b>	.757 (19.2)
				<b>58</b>	.898 (22.8)
				<b>60</b>	1.023 (26.0)
				<b>64</b>	1.137 (28.9)
				<b>68</b>	1.357 (34.5)
				<b>Code WS</b>	
					Black 6/6 nylon cable tie 1.77 (45.0) max. wire bundle dia.