

# Series 66 Protective Covers

for Series 800 Mighty Mouse Connectors

## 667-184 Plug Cover

### MM800 Plug Cover



667-184 protective cover fits Glenair Series 800 plug connectors. Aluminum or stainless steel, with stainless steel fittings. Fluorosilicone gasket.

**TABLE 1 MATERIAL / FINISH**

Aluminum	Stainless Steel
-C Black Anodize	-Z1 Passivate
-M Electroless Nickel	
-NF Olive Drab Cadmium	
-MT Nickel-PTFE	
-ZR Black Zinc-Nickel	
-TZ Tin-Zinc	

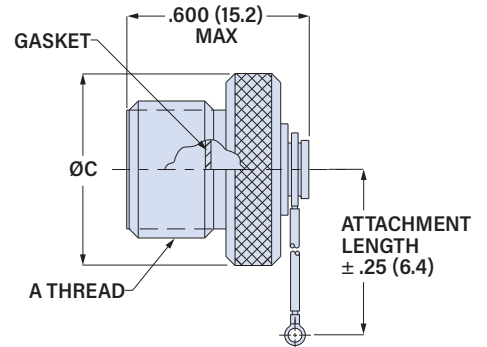
**TABLE 2 ATTACHMENT TYPE**

<b>D</b>	 <b>SST Bead Chain</b> .125 (3.2) diameter, size 6, -65 to +200 °C
<b>F</b>	 <b>Wire Rope, Blue Nylon Jacket</b> 6/6 nylon over stainless steel rope, fair flexibility, good abrasion resistance, -55 to +100 °C
<b>G</b>	 <b>Black Nylon Rope</b> Very flexible, good abrasion and fuel resistance, .094 (2.4) diameter, -55 to +100 °C
<b>H</b>	 <b>Wire Rope, Clear FEP Jacket</b> Clear FEP jacket over SST rope, fair flexibility, good abrasion resistance, .100" diameter, -65 to +200 °C
<b>S</b>	 <b>Sash Chain</b> #8 sash chain, stainless steel. Length tolerance is ± one link. .280 (Z1)
<b>SK</b>	 <b>Nylon Rope with Slip Knot</b> Very flexible, good abrasion and fuel resistance, .094 (2.4) diameter. Length includes .5" (13mm) dia. loop, -55 to +100 °C
<b>T</b>	 <b>SST Wire Rope, No Jacket</b> Good flexibility, good abrasion resistance, .047 (1.2) diameter, passivated, -65 to +200 °C
<b>U</b>	 <b>Wire Rope, Black Polyurethane</b> Stainless steel rope with black polyurethane coating, flexible, excellent abrasion resistance and resistance to fuels, .080" (2mm) diameter, -55 to +125 °C

### PART NUMBER

<b>Base P/N</b>	<b>667-184</b>	<b>667-184</b>	<b>-M</b>	<b>-H</b>	<b>9</b>	<b>01</b>	<b>-5</b>
<b>Material/Finish</b>	See Table 1						
<b>Attachment Type</b>	<b>-N</b> No Attachment See Table 2 for Attachment Types						
<b>Shell Size</b>	<b>5 6 7 8 9 10 11 12</b>						
<b>Attachment Ring</b>	Omit for Attachment Types N and SK <b>-00</b> No Ring See Table 3 for Attachment Ring Codes						
<b>Attachment Length</b>	Omit for Attachment Type N Length in One Inch Increments						
<b>Alternate Polarization</b>	Omit for Normal Polarization N <b>X Y Z</b>						

Shell Size	A Thread	ø C Max In.	ø C Max mm.
5	.3125-28 UN-2A	.462	11.7
6	.3750-28 UN-2A	.525	13.3
7	.4375-28 UNEF-2A	.588	14.3
8	.5000-32 UN-2A	.650	16.5
9	.5625-32 UN-2A	.713	18.1
10	.6250-32 UN-2A	.838	21.3
11	.6875-28 UN-2A	.838	21.3
12	.7500-28 UN-2A	.900	22.9



**TABLE 3 ATTACHMENT RING**

EYELET			SOLID RING			SPLIT RING			
Code	In.	mm.	Code	In.	mm.	Code	In.	mm.	
01	.125 (3.2)		32	.265 (6.7)		31	.820 (20.8)	50	.432 (11.0)
02	.145 (3.7)		29	.315 (8.0)		19	.885 (22.5)	52	.492 (12.5)
04	.182 (4.6)		14	.385 (9.8)		26	.950 (24.1)	54	.648 (16.5)
06	.197 (5.0)		15	.445 (11.3)		28	1.015 (25.8)	56	.757 (19.2)
			33	.510 (13.0)		20	1.070 (27.2)	58	.898 (22.8)
			16	.570 (14.5)		21	1.135 (28.8)	60	1.023 (26.0)
			17	.635 (16.1)		22	1.210 (30.7)	64	1.137 (28.9)
			18	.695 (17.7)		23	1.275 (32.4)	68	1.357 (34.5)
			27	.766 (19.5)		30	1.380 (35.1)		
						25	1.530 (41.4)		