

Series 66 Protective Covers

for Series 800 Mighty Mouse Connectors

667-185 Receptacle Cover

MM800 Receptacle Cover



667-185 protective cover fits Glenair Series 800 receptacle connectors. Aluminum or stainless steel, with stainless steel fittings. Fluorosilicone gasket.

TABLE 1 MATERIAL / FINISH

Aluminum	Stainless Steel
-C Black Anodize	-Z1 Passivate
-M Electroless Nickel	
-NF Olive Drab Cadmium	
-MT Nickel-PTFE	
-ZR Black Zinc-Nickel	
-TZ Tin-Zinc	

TABLE 2 ATTACHMENT TYPE

D		SST Bead Chain .125 (3.2) diameter, size 6, -65 to +200 °C
F		Wire Rope, Blue Nylon Jacket 6/6 nylon over stainless steel rope, fair flexibility, good abrasion resistance, -55 to +100 °C
G		Black Nylon Rope Very flexible, good abrasion and fuel resistance, .094 (2.4) diameter, -55 to +100 °C
H		Wire Rope, Clear FEP Jacket Clear FEP jacket over SST rope, fair flexibility, good abrasion resistance, .100" diameter, -65 to +200 °C
S		Sash Chain #8 sash chain, stainless steel. Length tolerance is ± one link .280 (71)
SK		Nylon Rope with Slip Knot Very flexible, good abrasion and fuel resistance, .094 (2.4) diameter. Length includes .5" (13mm) dia. loop, -55 to +100 °C
T		SST Wire Rope, No Jacket Good flexibility, good abrasion resistance, .047 (1.2) diameter, passivated, -65 to +200 °C
U		Wire Rope, Black Polyurethane Stainless steel rope with black polyurethane coating, flexible, excellent abrasion resistance and resistance to fuels, .080" (2mm) diameter, -55 to +125 °C

PART NUMBER

	667-185	-ZR	-G	11	04	-5
Base P/N	667-185					
Material/Finish	See Table 1					
Attachment Type	-N No Attachment See Table 2 for Attachment Types					
Shell Size	5 6 7 8 9 10 11 12					
Attachment Ring	Omit for Attachment Types N and SK -00 No Ring See Table 3 for Attachment Ring Codes					
Attachment Length	Omit for Attachment Type N Length in One Inch Increments					

Shell Size	A Thread	ø C Max In.	mm.
5	.3125-28 UN-2B	.462	11.7
6	.3750-28 UN-2B	.525	13.3
7	.4375-28 UNEF-2B	.588	14.3
8	.5000-32 UN-2B	.650	16.5
9	.5625-32 UN-2B	.713	18.1
10	.6250-32 UN-2B	.838	21.3
11	.6875-28 UN-2B	.838	21.3
12	.7500-28 UN-2B	.900	22.9

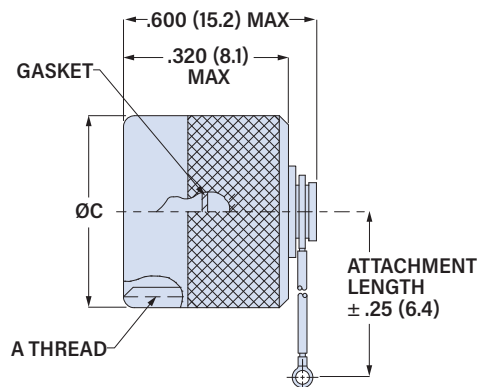


TABLE 3 ATTACHMENT RING

EYELET			SOLID RING			SPLIT RING			
Code	Eyelet I.D. ± .010 (0.3) In. mm.		Code	Ring I.D. ± .015 (0.4) In. mm.		Code	Ring I.D. ± .015 (0.4) In. mm.		
01	.125 (3.2)		32	.265 (6.7)		31	.820 (20.8)	50	.432 (11.0)
02	.145 (3.7)		29	.315 (8.0)		19	.885 (22.5)	52	.492 (12.5)
04	.182 (4.6)		14	.385 (9.8)		26	.950 (24.1)	54	.648 (16.5)
06	.197 (5.0)		15	.445 (11.3)		28	1.015 (25.8)	56	.757 (19.2)
			33	.510 (13.0)		20	1.070 (27.2)	58	.898 (22.8)
			16	.570 (14.5)		21	1.135 (28.8)	60	1.023 (26.0)
			17	.635 (16.1)		22	1.210 (30.7)	64	1.137 (28.9)
			18	.695 (17.7)		23	1.275 (32.4)	68	1.357 (34.5)
			27	.766 (19.5)		30	1.380 (35.1)		
						25	1.530 (41.4)		