

Series 66 Protective Covers

for Series 804 Mighty Mouse Connectors

667-387 ProSeal™ Flip Lid Receptacle Cover

MM804 Receptacle Cover

ProSeal™ Flip Lid



Spring-loaded, waterproof. 667-387 ProSeal™ cover fits Glenair Series 804 Mighty Mouse jam nut receptacle connectors. Spring-loaded lid snaps onto connector face for dust-tight and water-tight seal (IP67). Gimballed disk and gasket assembly pivot to seat flat against connector face. Use connector jam nut to attach cover to .033" to .155" thick mounting panel. Lid stays open when raised to approximately 90°. Aluminum, with stainless steel spring and roll pins, Delrin sleeve and silicone gasket.

PART NUMBER

		667-387	C	09	-1
Base P/N	667-387				
Finish	C	Black Anodize			
	M	Electroless Nickel			
	MT	Nickel-PTFE			
	NF	Cadmium, Olive Drab			
	ZR	Black Zinc-Nickel			
	TZ	Tin-Zinc			
Shell Size	05 06 07 08 09 10 12 14 15				
Panel Thickness	-1	.063 ± .030 (1.6 ± 0.76)			
	-2	.125 ± .030 (3.2 ± 0.76)			

Compatibility

667-387 cover fits these rear panel mounting jam nut receptacles:

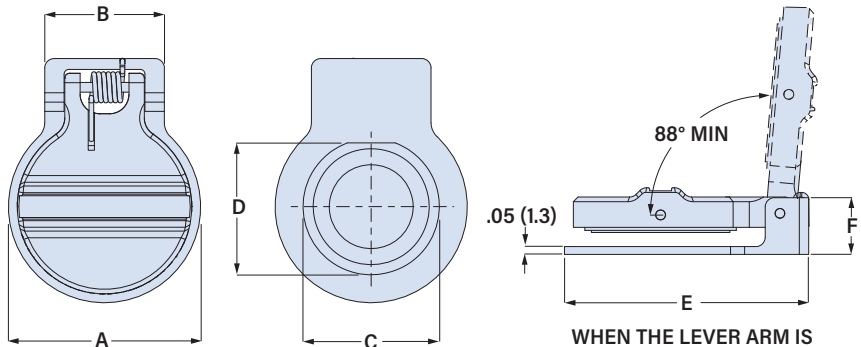
- 804-003-07
- 804-004-07
- 804-005-07
- 804-006-07
- 804-020-07
- 804-067-07

MATERIALS AND FINISHES

Lid, lever arm, bracket, disk: aluminum, plated per finish code
 Spring, roll pins: SST/passivate
 Sleeve: Delrin
 Gasket: sponge silicone

SPECIFICATIONS

Operating temperature: -40 to +120 °C
 Water Ingress: IPX7 IEC 60529 14.2.7
 Dust Ingress: IP6X IEC 60529 13.4, 13.5
 Water spray: IPX4 IEC 60529 14.2.4



Shell Size	ø A		B		ø C		D Flat		E		F
	±.015 (0.4) ln.	mm.	±.015 (0.4) ln.	mm.	±.015 (0.4) ln.	mm.	±.002 (0.1) ln.	mm.	±.015 (0.4) ln.	mm.	
05	.690	17.5	.700	17.8	.448	11.4	.425	10.8	1.100	27.9	.063 Panel Thickness (Code 1)
06	.860	21.8	.700	17.8	.510	13.0	.477	12.1	1.200	30.5	
07	.870	22.1	.770	19.6	.635	16.1	.604	15.3	1.290	32.8	.43 (10.2)
08	.870	22.1	.770	19.6	.635	16.1	.604	15.3	1.290	32.8	
09	1.050	26.7	.770	19.6	.695	17.7	.665	16.9	1.350	34.3	.125 Panel Thickness (Code 2)
10	1.110	28.2	.770	19.6	.760	19.3	.732	18.6	1.420	36.1	
12	1.240	31.5	.770	19.6	.885	22.5	.853	21.7	1.570	39.9	.36 (9.1)
14	1.360	34.5	.890	22.6	1.010	25.7	.978	24.8	1.700	43.2	
15	1.420	36.1	.890	22.6	1.070	27.2	1.039	26.4	1.740	44.2	