

# Series 66 Protective Covers

for Series 806 Mil-Aero Connectors

## 667-441 Plug Cover

### 806 Plug Cover



667-441 protective cover fits Glenair Series 806 plug connectors. Aluminum, stainless steel, or composite. Stainless steel fittings. Fluorosilicone O-ring.

### PART NUMBER

	<b>667-441</b>	<b>ME</b>	<b>12</b>	<b>S</b>	<b>04</b>	<b>-5</b>
<b>Base P/N</b>	<b>667-441</b>					
<b>Material/Finish</b>	See Table 1					
<b>Shell Size</b>	<b>8 9 10 11 12 14 16 18 20 22 24</b>					
<b>Attachment Type</b>	<b>N</b> No Attachment See Table 2 for Attachment Types					
<b>Attachment Ring</b>	Omit for Attachment Types N and SK <b>00</b> No Ring See Table 3 for Attachment Ring Codes					
<b>Attachment Length</b>	Omit for Attachment Type N Length in One Inch Increments					

TABLE 1 MATERIAL / FINISH

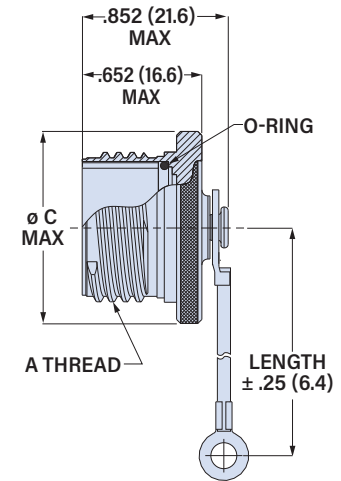
Aluminum		Stainless Steel	
<b>C</b>	Black Anodize	<b>Z1</b>	Passivate
<b>ME</b>	Electroless Nickel	<b>ZW</b>	O.D. Cadmium
<b>NF</b>	Olive Drab Cadmium	<b>Composite</b>	
<b>MT</b>	Nickel-PTFE	<b>XMD</b>	Nickel
<b>ZR</b>	Black Zinc-Nickel	<b>XMT</b>	Nickel-PTFE
<b>TZ</b>	Tin-Zinc	<b>XW</b>	O.D. Cadmium
		<b>XB</b>	Unplated Black

TABLE 2 ATTACHMENT TYPE

<b>D</b>		<b>SST Bead Chain</b> .125 (3.2) diameter, size 6, -65 to +200 °C
<b>F</b>		<b>Wire Rope, Blue Nylon Jacket</b> 6/6 nylon over stainless steel rope, fair flexibility, good abrasion resistance, -55 to +100 °C
<b>G</b>		<b>Black Nylon Rope</b> Very flexible, good abrasion and fuel resistance, .094 (2.4) diameter, -55 to +100 °C
<b>H</b>		<b>Wire Rope, Clear FEP Jacket</b> Clear FEP jacket over SST rope, fair flexibility, good abrasion resistance, .100" diameter, -65 to +200 °C
<b>S</b>		<b>Sash Chain</b> #8 sash chain, stainless steel. Length tolerance is ± one link. 280 (Z1)
<b>SK</b>		<b>Nylon Rope with Slip Knot</b> Very flexible, good abrasion and fuel resistance, .094 (2.4) diameter. Length includes .5" (13mm) dia. loop, -55 to +100 °C
<b>T</b>		<b>SST Wire Rope, No Jacket</b> Good flexibility, good abrasion resistance, .047 (1.2) diameter, passivated, -65 to +200 °C
<b>U</b>		<b>SST Wire Rope, Black Polyurethane</b> Black polyurethane coating, very flexible, excellent abrasion resistance, .080" (2mm) diameter, -55 to +125 °C

TABLE 3 ATTACHMENT RING

EYELET	
	Code Eyelet I.D. ±.010 (0.3)
	<b>04</b> .125 (3.2)
	<b>06</b> .145 (3.7)
	<b>08</b> .182 (4.6)
	<b>10</b> .197 (5.0)
SOLID RING	
	Code Ring I.D. ±.015 (0.4)
	<b>12</b> .423 (10.7)
	<b>14</b> .481 (12.2)
	<b>16</b> .560 (14.2)
	<b>18</b> .600 (15.2)
	<b>20</b> .635 (16.1)
	<b>22</b> .695 (17.7)
	<b>24</b> .715 (18.2)
	<b>26</b> .766 (19.5)
	<b>28</b> .845 (21.5)
	<b>30</b> .885 (22.5)
	<b>32</b> .950 (24.1)
SPLIT RING	
	Code Ring I.D. ±.015 (0.4)
	<b>50</b> .432 (11.0)
	<b>52</b> .492 (12.5)
	<b>54</b> .648 (16.5)
	<b>56</b> .757 (19.2)
	<b>58</b> .898 (22.8)
	<b>60</b> 1.023 (26.0)
	<b>64</b> 1.137 (28.9)
	<b>68</b> 1.357 (34.5)



Shell Size	ø C Max		A Thread
	In.	mm.	
<b>8</b>	.676	17.2	.5000-.067P-.2L-TS-2A
<b>9</b>	.771	19.6	.5625-.067P-.2L-TS-2A
<b>10</b>	.832	21.1	.6250-.067P-.2L-TS-2A
<b>11</b>	.890	22.6	.6875-.067P-.2L-TS-2A
<b>12</b>	.950	24.1	.7500-.067P-.2L-TS-2A
<b>14</b>	1.110	28.2	.8750-.067P-.2L-TS-2A
<b>16</b>	1.170	29.7	1.0000-.067P-.2L-TS-2A
<b>18</b>	1.350	34.3	1.1250-.067P-.2L-TS-2A
<b>20</b>	1.470	37.3	1.2500-.067P-.2L-TS-2A
<b>22</b>	1.600	40.6	1.3750-.067P-.2L-TS-2A
<b>24</b>	1.710	43.4	1.5000-.067P-.2L-TS-2A