



# Series 66 Protective Covers

for MIL-DTL-38999 Series II Connectors

## 667-447 ProSeal™ Flip Lid Receptacle Cover

### M38999/II Receptacle Cover



**Spring-loaded, waterproof.** ProSeal™ flip lid fits MIL-DTL-38999 Series II bayonet receptacles. Fits standard connector jam nut or square flange mounting holes. Gimballed lid snaps onto connector face for dust-tight and water-tight seal (IP67 rating). Lid remains in open position when fully raised. -40 to +120 °C.

### PART NUMBER

		<b>667-467</b>	<b>M</b>	<b>16</b>	<b>T0</b>	<b>W</b>	<b>-59</b>
<b>Base P/N</b>	<b>667-467</b>						
<b>Bracket Finish</b>	See Table 1						
<b>Shell Size</b>	<b>08 10 12 14 16 18 20 22 24</b>						
<b>Panel Thickness</b>	<b>T0</b> Front Mount (not applicable to jam nut mount) <b>T1</b> .062 (1.6) +/- .030 (0.8)						
<b>Mounting Type</b>	<b>J</b> Jam Nut (fig. 1) <b>W</b> Square Flange (fig. 2)						
<b>Modification Code</b>	Omit for standard silicone gasket <b>-59</b> Silver-Filled Silicone EMI Gasket						

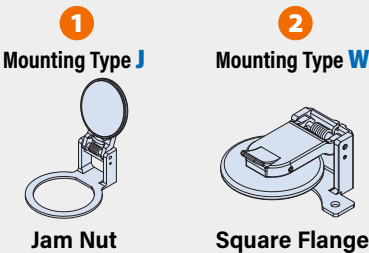
### TABLE 1 BRACKET FINISH

<b>C</b>	Black Anodize
<b>M</b>	Electroless Nickel
<b>NF</b>	Olive Drab Cadmium
<b>MT</b>	Nickel-PTFE
<b>ZR</b>	Black Zinc-Nickel
<b>TZ</b>	Tin-Zinc

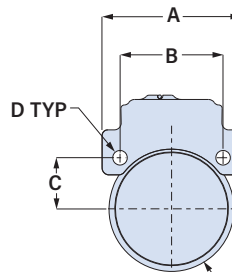
### MATERIALS AND FINISHES

Lid, lever arm, gimbal: thermoplastic, black  
 Bracket: aluminum, plated per finish code  
 Spring, pin, rivet: SST/passivate  
 Sleeve: Delrin  
 Gasket: silicone  
 Conductive gasket: silver-filled silicone

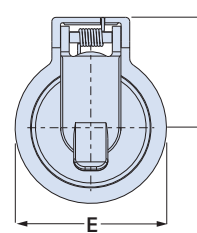
### MOUNTING TYPE



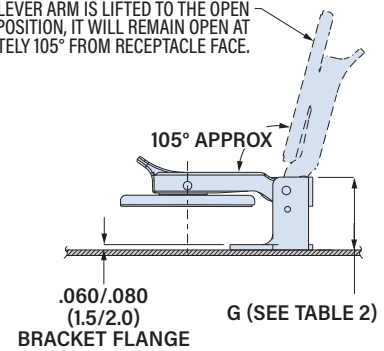
**MOUNTING TYPE W**  
SQUARE FLANGE RECEPTACLE



**MOUNTING TYPE J**  
JAM NUT RECEPTACLE



WHEN THE LEVER ARM IS LIFTED TO THE OPEN POSITION, IT WILL REMAIN OPEN AT APPROXIMATELY 105° FROM RECEPTACLE FACE.



### TABLE 2 G DIMENSION

		G Dim. ± .06 (1.5)			
Panel Thickness Code	Shell Size	Type J		Type W	
		Jam Nut In.	N/A mm.	Square Flange In.	N/A mm.
<b>T0</b>	Front Mount	08-18	N/A	N/A	.576 14.6
		20-24	N/A	N/A	.661 16.8
<b>T1</b>	.062 ± .030 (1.6 ± 0.8)	08-18	.622 15.8	.514 13.1	
		20-24	.723 18.4	.599 15.2	

Shell Size	A Max		B ±.015 (0.4)		C ±.015 (0.4)		D ±.008 (0.2)		E ±.031 (0.8)		F ±.031 (0.8)		ø J Max	
	in	mm	in.	mm.	in.	mm.	in.	mm.	in.	mm.	in.	mm.	in.	mm.
<b>08</b>	.967	24.6	.594	15.0	.360	9.1	.128	3.3	1.299	33.0	.936	23.8	.735	18.7
<b>10</b>	1.061	27.0	.719	18.3	.406	10.3	.128	3.3	1.375	34.9	.998	25.3	.860	21.8
<b>12</b>	1.156	29.4	.812	20.6	.453	11.5	.128	3.3	1.560	39.6	1.083	27.5	.985	25.0
<b>14</b>	1.250	31.8	.906	23.0	.485	12.3	.128	3.3	1.625	41.3	1.119	28.4	1.120	28.4
<b>16</b>	1.341	33.9	.969	24.6	.531	13.5	.128	3.3	1.750	44.5	1.335	33.9	1.280	32.5
<b>18</b>	1.477	37.5	1.069	27.2	.578	14.7	.128	3.3	2.000	50.8	1.399	35.5	1.343	34.1
<b>20</b>	1.593	40.5	1.156	29.4	.625	15.9	.128	3.3	2.150	54.6	1.461	37.1	1.466	37.2
<b>22</b>	1.719	43.7	1.250	31.8	.688	17.5	.154	3.9	2.309	58.6	1.678	42.6	1.593	40.5
<b>24</b>	1.871	47.5	1.375	34.9	.750	19.1	.154	3.9	2.309	58.6	1.678	42.6	1.718	43.6